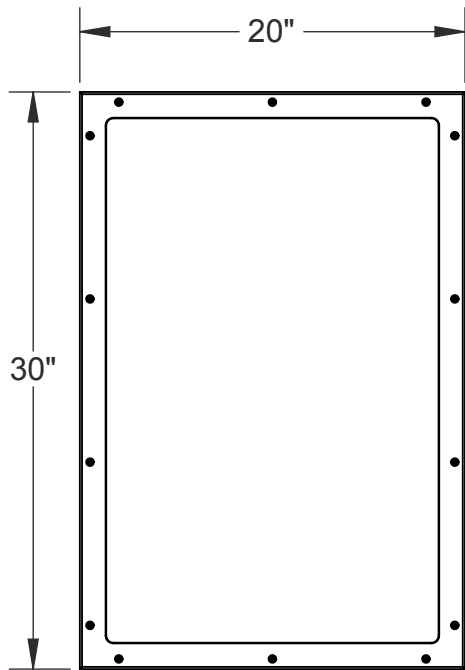


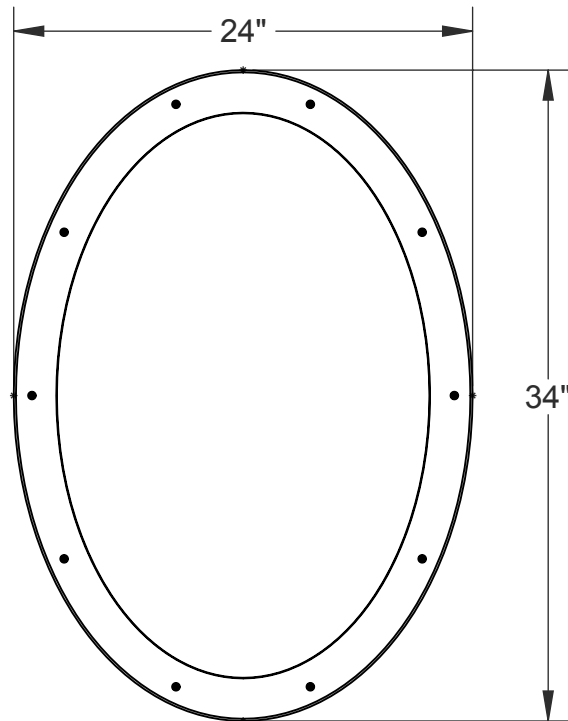
INSTALLATION INSTRUCTIONS

Model: **CB1855, CB1857**
Fixture Family: **SOLE NON ILLUMINATED MIRRORS**
Document Description: Installation Instructions for
Sole Series Mirrors

VISA LIGHTING
AN OLDENBURG GROUP COMPANY
1717 West Civic Drive Milwaukee, WI 53209
414-354-6600
Design Modification Rights Reserved
© Visa Lighting 2016



CB1855 - RECTANGLE



CB1857 - OVAL

Sheet 1: SAFETY AND CARE INSTRUCTIONS
Sheet 2: WALLBOARD OR WOOD INSTALLATION
Sheet 3: MASONRY INSTALLATION

SAFETY AND CARE INSTRUCTIONS

- To reduce risk of Ligature:
 - Ensure all fasteners are fully seated and do not protrude from the mirror frame.
 - Apply pickproof sealant around the perimeter of the frame.
- For High Risk areas, appropriate wall material should be used such as high impact wall board, masonry or wood.
- Use care when cleaning. Do not use abrasive cleaners, chemicals or solvents which may result in surface/finish damage. The mirror can be cleaned with mild soap/non-abrasive cleanser, warm water and a microfiber cloth.

! When using electrical equipment, basic safety precautions should always be followed, including the following:

- Read all instructions carefully before installing and save for future use.
- Make sure all connections are in accordance with the National Electrical Code and local regulations.
- To avoid possible electric shock, be sure the power supply is turned off before servicing or installing the fixture
- Service should be performed by qualified personnel.
- These instructions may not cover all details or variations. If additional information is needed, please contact Visa Lighting.

Drawing: 762373XX

Rev: A

Sheet: 1 of 3

Eng: MJH

Date Drawn: 7/11/23

INSTALLATION INSTRUCTIONS

Model: **CB1855, CB1857**
Fixture Family: **SOLE NON ILLUMINATED MIRRORS**
Document Description: Installation Instructions for
Sole Series Mirrors

VISA LIGHTING
AN OLDENBURG GROUP COMPANY
1717 West Civic Drive Milwaukee, WI 53209
414-354-6600
Design Modification Rights Reserved
© Visa Lighting

Drawing: 762373XX

Rev: A

Sheet: 2 of 3

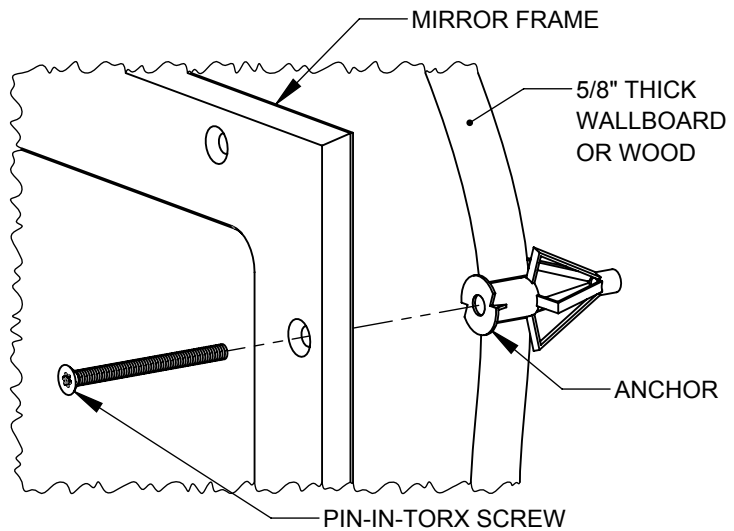
Eng: MJH

Date Drawn: 7/11/23

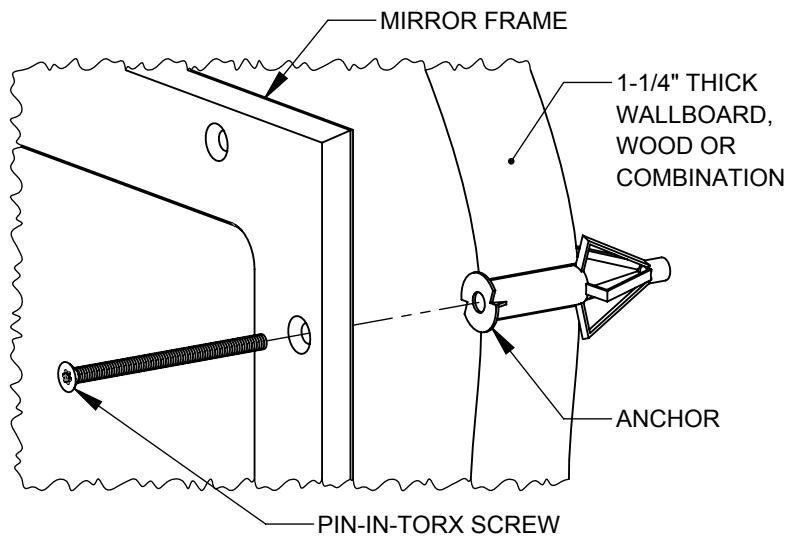
INSTALLATION FOR WALLBOARD OR WOOD

NOTE: Mirror is provided with fasteners and anchors depending on mounting option ordered. See illustrations at right. Also see the following page for Masonry option

1. Locate and level mirror
2. Mark mounting holes using the Frame as your template and Drill 3/8" Dia Holes for Anchors Provided
3. Set the anchor in place with one of two methods: Use Dewalt 02150-PWR installation tool or Compress with the pan head faster provided with the anchor. Do Not overtighten. Pan head fastener sent with anchor can be discarded or used elsewhere when done.
4. Mount Frame/Mirror using painted Pin-in-Torx fasteners provided.
5. For Ligature Resistance, refer to Safety Instruction on Sheet 1



SMH OPTION HARDWARE FOR 5/8" THICK WALL



LMH OPTION HARDWARE FOR 1-1/4" THICK WALL

When using electrical equipment, basic safety precautions should always be followed, including the following:

- Read all instructions carefully before installing and save for future use.
- Make sure all connections are in accordance with the National Electrical Code and local regulations.
- To avoid possible electric shock, be sure the power supply is turned off before servicing or installing the fixture
- Service should be performed by qualified personnel.
- These instructions may not cover all details or variations. If additional information is needed, please contact Visa Lighting.

INSTALLATION INSTRUCTIONS

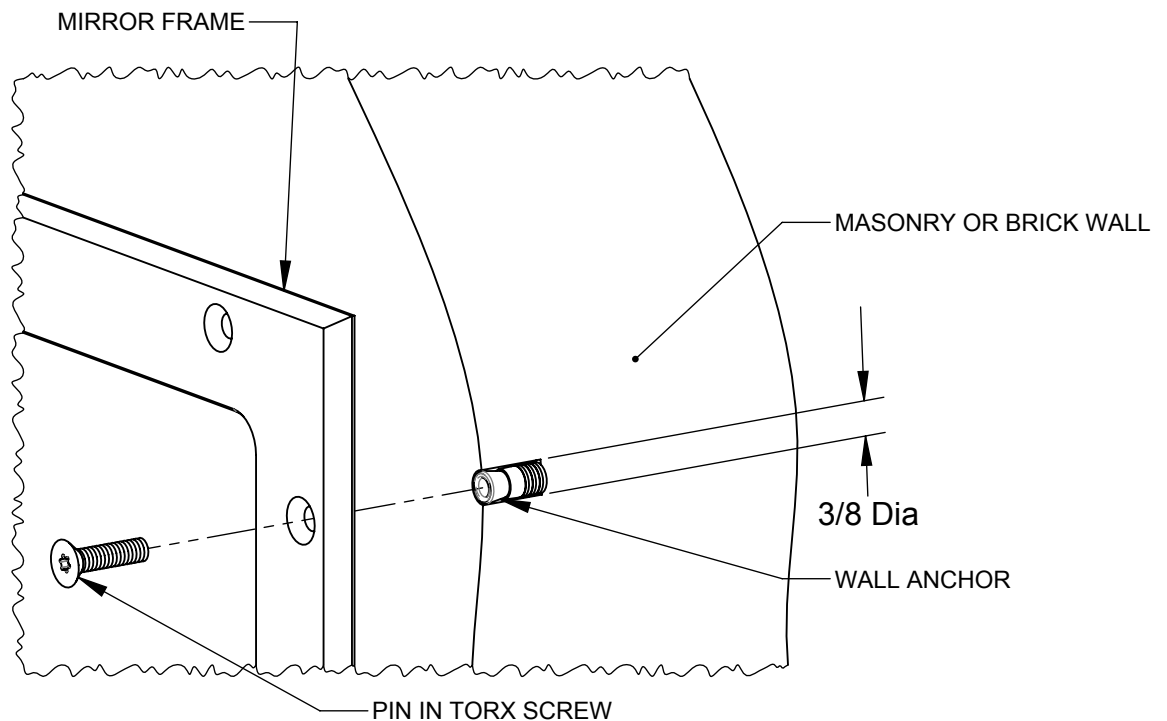
Model: **CB1855, CB1857**
Fixture Family: **SOLE NON ILLUMINATED MIRRORS**
Document Description: Installation Instructions for
Sole Series Mirrors

VISA LIGHTING
AN OLDENBURG GROUP COMPANY
1717 West Civic Drive Milwaukee, WI 53209
414-354-6600
Design Modification Rights Reserved
© Visa Lighting

INSTALLATION FOR MASONRY

NOTE: Mirror is provided with fasteners and anchors depending on mounting option ordered. See prior page for other options.

1. Locate and level mirror
2. Mark mounting holes using Frame as your template and Drill Holes for Anchors Provided, drill 3/8" Dia x .75" deep holes.
3. For hollow brick work, use Simpson HDIASTH Setting Tool or use Simpson HDIASTS Setting Tool for Solid Materials.
4. Mount Frame/Mirror using painted Pin-in-Torx fasteners provided.
5. For Ligature Resistance, refer to Safety Instruction on Sheet 1



MMH OPTION HARDWARE FOR MASONRY WALL (CEMENT OR BRICK)

When using electrical equipment, basic safety precautions should always be followed, including the following:

- Read all instructions carefully before installing and save for future use.
- Make sure all connections are in accordance with the National Electrical Code and local regulations.
- To avoid possible electric shock, be sure the power supply is turned off before servicing or installing the fixture.
- Service should be performed by qualified personnel.
- These instructions may not cover all details or variations. If additional information is needed, please contact Visa Lighting.

Drawing: 762373XX

Rev: A

Sheet: 3 of 3

Eng: MJH

Date Drawn: 7/11/23