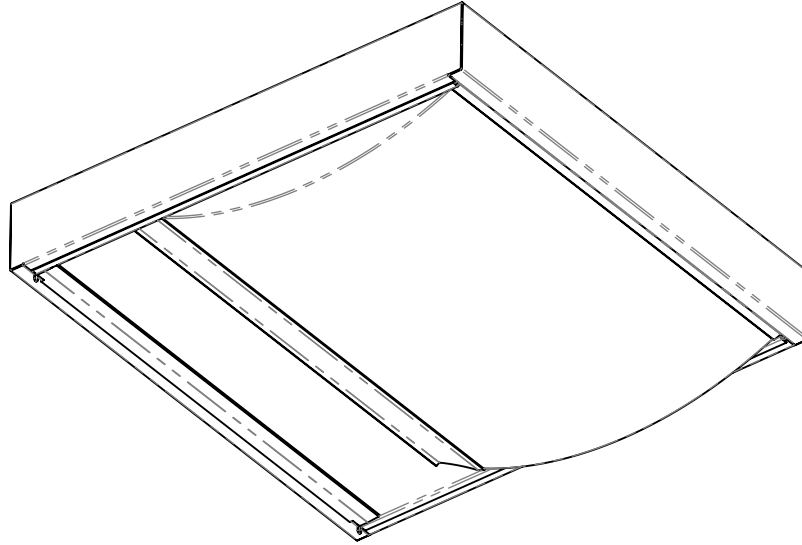


INSTALLATION INSTRUCTIONS

Model: **UNITY**
Fixture Family: **CEILING RECESSED MOUNT**
Document Description: Installation Instructions for
CM1900, CM1901, CM1906, CM1907 Series Luminaires



UNITY CEILING RECESSED MOUNT

CM1900
CM1901
CM1906
CM1907

Drawing: 760835XX

Rev: F

Sheet: 1 of 7

Eng: PAO

Date Drawn: 07/22/10

! When using electrical equipment, basic safety precautions should always be followed, including the following:

- Read all instructions carefully before installing and save for future use.
- Make sure all connections are in accordance with the National Electrical Code and local regulations.
- To avoid possible electric shock, be sure the power supply is turned off before servicing or installing the fixture.
- Service should be performed by qualified personnel.
- These instructions may not cover all details or variations. If additional information is needed, please contact Visa Lighting.

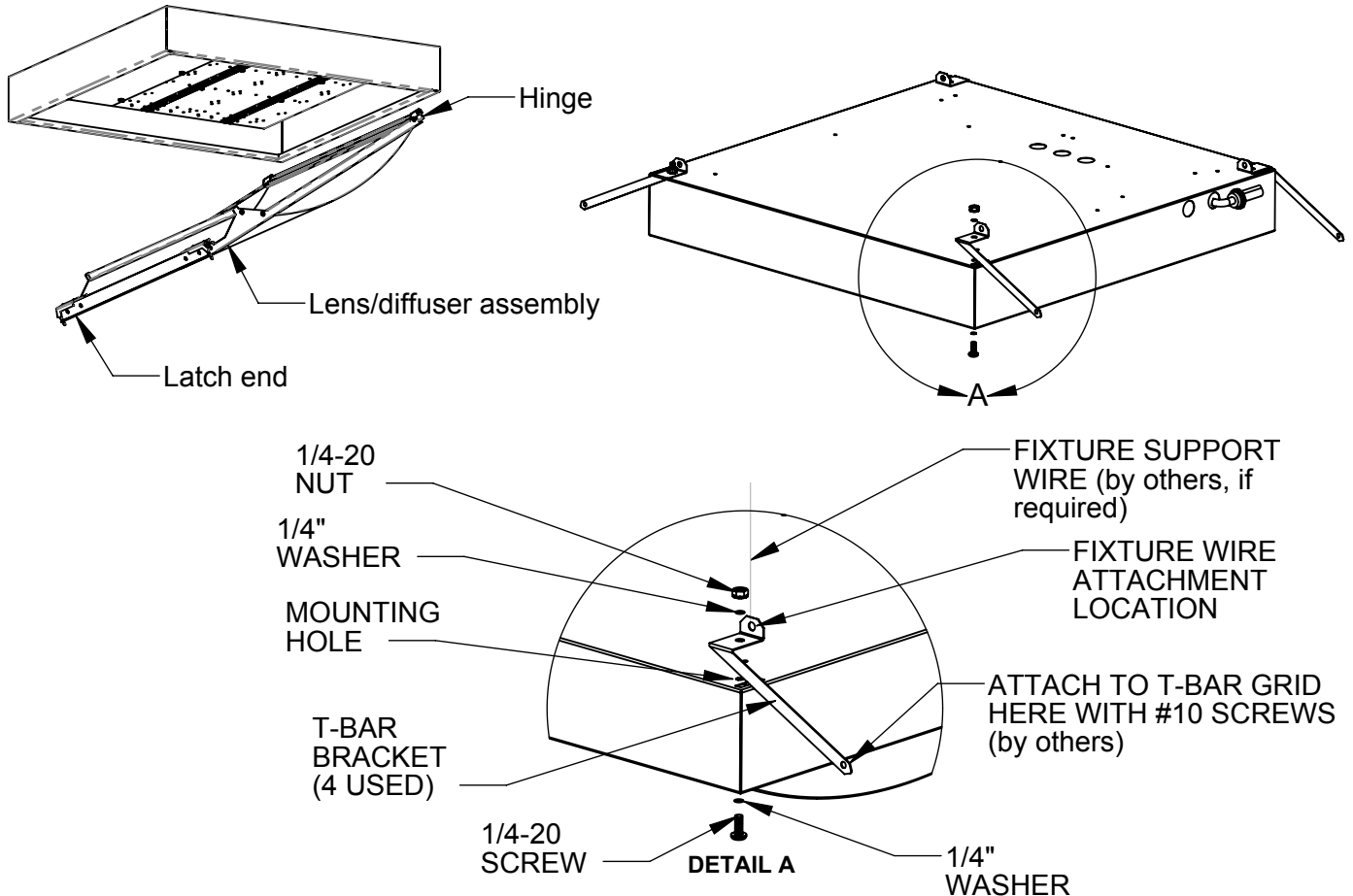
INSTALLATION INSTRUCTIONS



Model: **UNITY**
Fixture Family: **CEILING RECESSED MOUNT**
Document Description: Installation Instructions for
CM1900, CM1901, CM1906, CM1907 Series Luminaires

1717 West Civic Drive Milwaukee, WI 53209
414-354-6600
Design Modification Rights Reserved
© Visa Lighting

TYPICAL GRID CEILING RECESSED FIXTURE MOUNTING



1. Remove the lens/diffuser assembly from fixture before attempting installation by unlatching one end. Swing frame down/out approximately 45° and unhook hinge. Set assembly aside and reinstall as last step of installation.
2. Install the fixture in the T-Bar grid system by lifting the fixture through the opening and lowering it onto the T-Bar grid.
3. Install the T-Bar brackets to each of the four corners using the 1/4-20 screws, nuts, and washers.
4. Attach the fixture to the T-Bar grid at all four corners with screws through the T-Bar bracket. It may be necessary to drill a hole through the grid members.
5. If required, each of the four corners of the fixture can be supported by wires from the T-Bar bracket and attached to the building structure.

CAUTION: The T-Bar grid system must be strong enough to support the fixture.

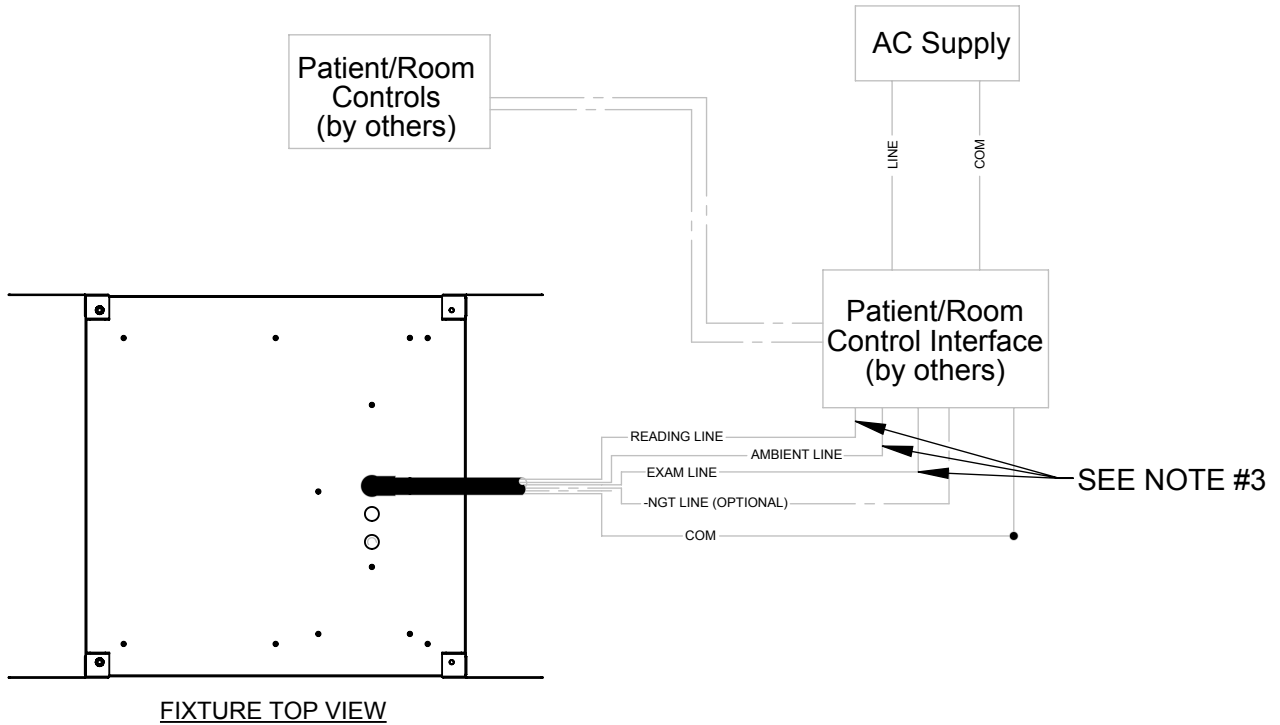
When using electrical equipment, basic safety precautions should always be followed, including the following:

- Read all instructions carefully before installing and save for future use.
- Make sure all connections are in accordance with the National Electrical Code and local regulations.
- To avoid possible electric shock, be sure the power supply is turned off before servicing or installing the fixture.
- Service should be performed by qualified personnel.
- These instructions may not cover all details or variations. If additional information is needed, please contact Visa Lighting.

INSTALLATION INSTRUCTIONS

Model: **UNITY**
Fixture Family: **CEILING RECESSED MOUNT**
Document Description: Installation Instructions for
CM1900, CM1901, CM1906, CM1907 Series Luminaires

1717 West Civic Drive Milwaukee, WI 53209
414-354-6600
Design Modification Rights Reserved
© Visa Lighting



Drawing: 760835XX

Rev: F

Sheet: 3 of 7

Eng: PAO

Date Drawn: 07/22/10

Wiring Instructions

1. All connections to the fixture are at line voltage. Use of a separate control interface (by others), is required to control the fixture by means other than line voltage switches.
2. All AC inputs to fixture must be supplied from the same branch circuit.
3. Ambient line, Read line and Exam line must all be energized to achieve high exam light levels on patient bed surface.

When using electrical equipment, basic safety precautions should always be followed, including the following:

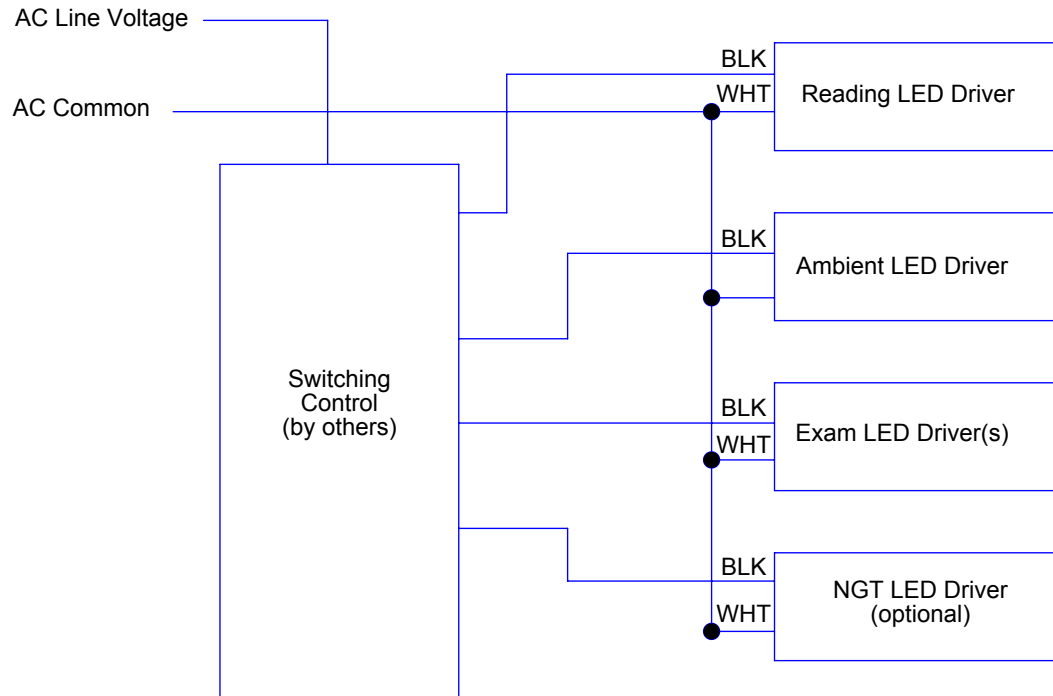
- Read all instructions carefully before installing and save for future use.
- Make sure all connections are in accordance with the National Electrical Code and local regulations.
- To avoid possible electric shock, be sure the power supply is turned off before servicing or installing the fixture.
- Service should be performed by qualified personnel.
- These instructions may not cover all details or variations. If additional information is needed, please contact Visa Lighting.

INSTALLATION INSTRUCTIONS

Model: **UNITY**
Fixture Family: **CEILING RECESSED MOUNT**
Document Description: Installation Instructions for
CM1900, CM1901, CM1906, CM1907 Series Luminaires

1717 West Civic Drive Milwaukee, WI 53209
414-354-6600
Design Modification Rights Reserved
© Visa Lighting

INTERNAL WIRING BLOCK DIAGRAM



Drawing: 760835XX

Rev: F

Sheet: 4 of 7

Eng: PAO

Date Drawn: 07/22/10

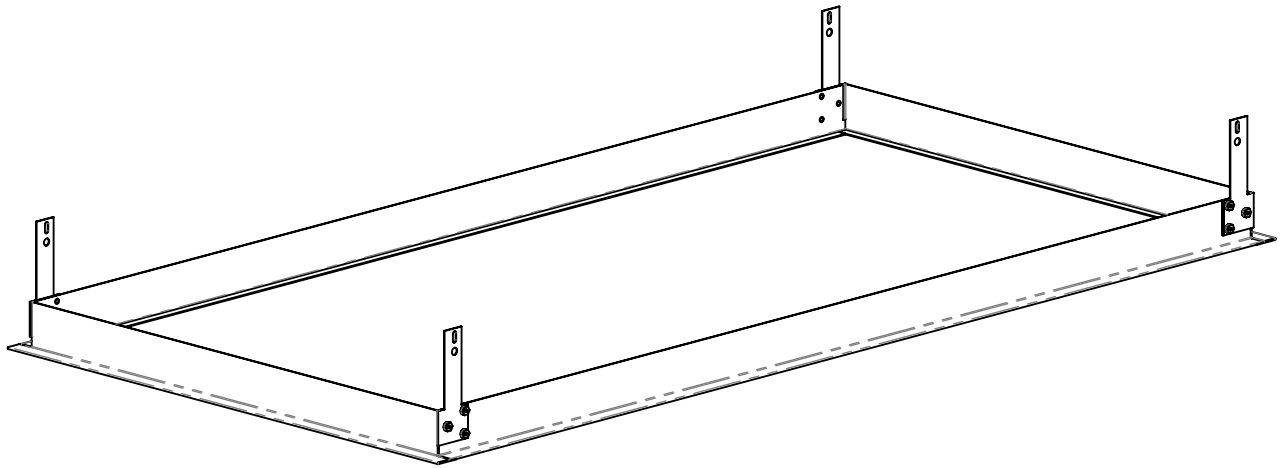
When using electrical equipment, basic safety precautions should always be followed, including the following:

- Read all instructions carefully before installing and save for future use.
- Make sure all connections are in accordance with the National Electrical Code and local regulations.
- To avoid possible electric shock, be sure the power supply is turned off before servicing or installing the fixture.
- Service should be performed by qualified personnel.
- These instructions may not cover all details or variations. If additional information is needed, please contact Visa Lighting.

INSTALLATION INSTRUCTIONS

Model: **UNITY**
Fixture Family: **CEILING RECESSED MOUNT**
Document Description: Installation Instructions for
CM1900, CM1901, CM1906, CM1907 Series Luminaires

VISA LIGHTING
AN OLDENBURG GROUP COMPANY
1717 West Civic Drive Milwaukee, WI 53209
414-354-6600
Design Modification Rights Reserved
© Visa Lighting



DRYWALL INSTALLATION KIT (SRI) FOR RECESSED UNITY

CM1900
CM1901
CM1906
CM1907

Drawing: 760835XX

Rev: F

Sheet: 5 of 7

Eng: PAO

Date Drawn: 07/22/10

! When using electrical equipment, basic safety precautions should always be followed, including the following:

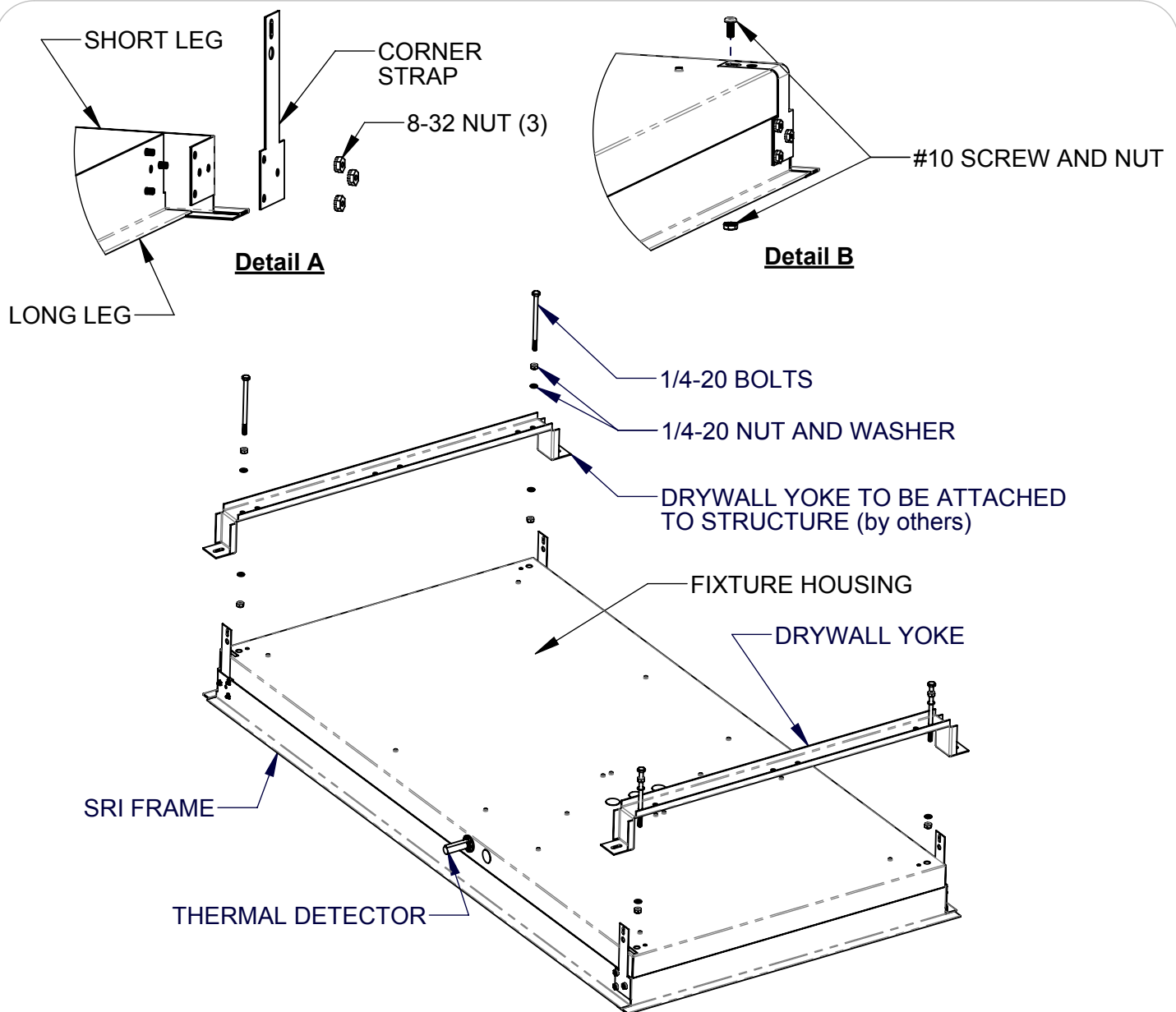
- Read all instructions carefully before installing and save for future use.
- Make sure all connections are in accordance with the National Electrical Code and local regulations.
- To avoid possible electric shock, be sure the power supply is turned off before servicing or installing the fixture.
- Service should be performed by qualified personnel.
- These instructions may not cover all details or variations. If additional information is needed, please contact Visa Lighting.

INSTALLATION INSTRUCTIONS



Model: **UNITY**
Fixture Family: **CEILING RECESSED MOUNT**
Document Description: Installation Instructions for
CM1900, CM1901, CM1906, CM1907 Series Luminaires

1717 West Civic Drive Milwaukee, WI 53209
414-354-6600
Design Modification Rights Reserved
© Visa Lighting



1. SRI frame - Assemble corners as illustrated in Detail A using (3) 8-32 nuts at each corner.
2. Slide fixture housing into SRI frame.
3. Holding frame to housing securely, hand bend corner strap over top of housing.
4. Secure corner straps with #10 screws and nuts through the slot as shown in Detail B.
5. Attach drywall yokes to structure around opening (see Sheet 8 for ceiling opening).
6. Install and adjust 1/4-20 bolts to correct finished length need for flush fixture mounting.
7. Attach fixture to 1/4-20 bolts using washers and nuts.

When using electrical equipment, basic safety precautions should always be followed, including the following:

- Read all instructions carefully before installing and save for future use.
- Make sure all connections are in accordance with the National Electrical Code and local regulations.
- To avoid possible electric shock, be sure the power supply is turned off before servicing or installing the fixture.
- Service should be performed by qualified personnel.
- These instructions may not cover all details or variations. If additional information is needed, please contact Visa Lighting.

Drawing: 760835XX

Rev: F

Sheet: 6 of 7

Eng: PAO

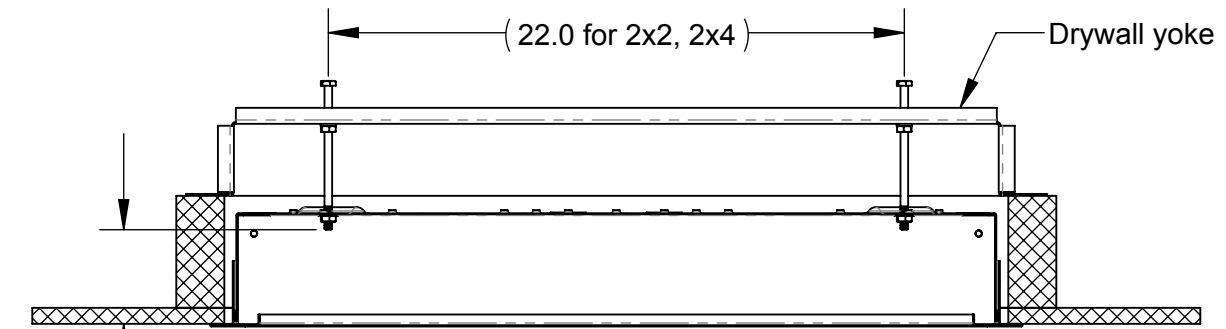
Date Drawn: 07/22/10

INSTALLATION INSTRUCTIONS

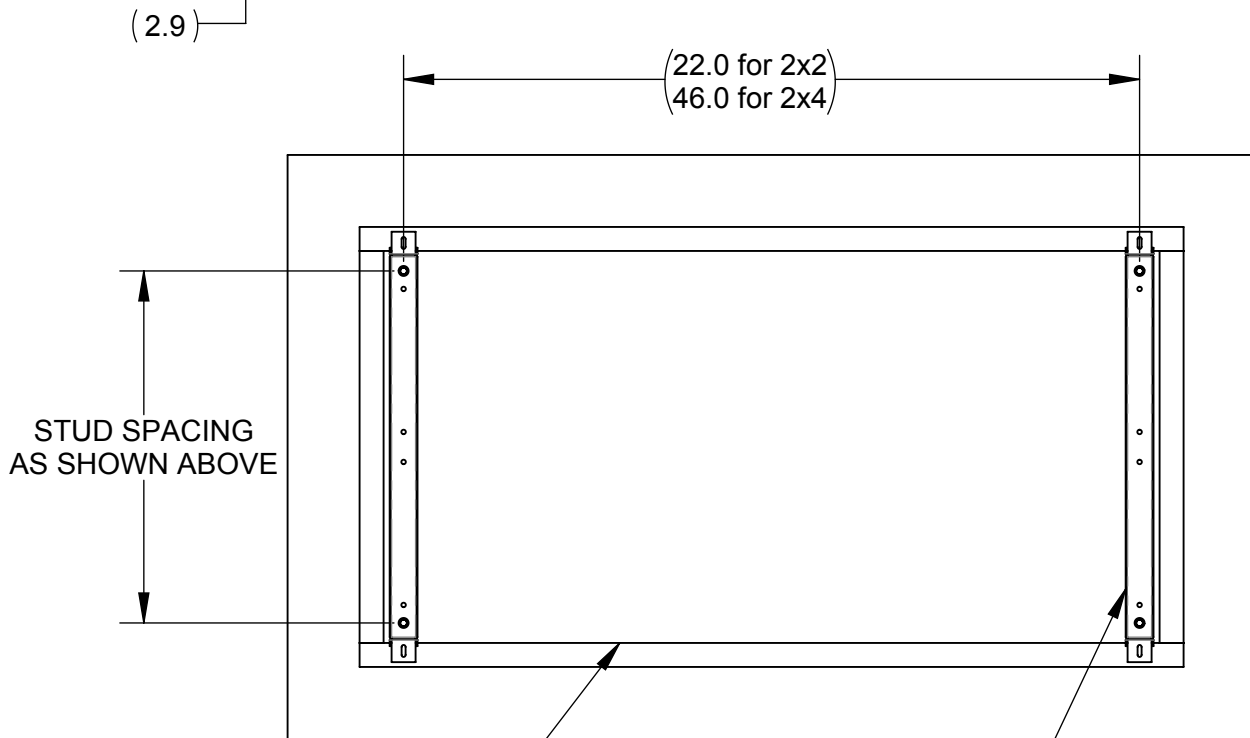


Model: **UNITY**
 Fixture Family: **CEILING RECESSED MOUNT**
 Document Description: Installation Instructions for
 CM1900, CM1901, CM1906, CM1907 Series Luminaires

1717 West Civic Drive Milwaukee, WI 53209
 414-354-6600
 Design Modification Rights Reserved
 © Visa Lighting



REF FIXTURE WIDTH CROSS SECTION VIEW



REF TOP VIEW

Note - Ceiling opening;
 CM1900 - 24.5" x 24.5"
 CM1901 - 24.5" x 24.5"
 CM1906 - 24.5" x 48.5"
 CM1907 - 24.5" x 48.5"

1. Attach DRYWALL YOKES to structure around opening (match spacing to holes in housing).
2. Stud spacing as shown above for 2x2 and 2x4 fixtures.
3. Adjust stud length such that bottom of stud is approximately 2.9" from ceiling surface

Drawing: 760835XX

Rev: F

Sheet: 7 of 7

Eng: PAO

Date Drawn: 07/22/10



When using electrical equipment, basic safety precautions should always be followed, including the following:

- Read all instructions carefully before installing and save for future use.
- Make sure all connections are in accordance with the National Electrical Code and local regulations.
- To avoid possible electric shock, be sure the power supply is turned off before servicing or installing the fixture
- Service should be performed by qualified personnel.
- These instructions may not cover all details or variations. If additional information is needed, please contact Visa Lighting.