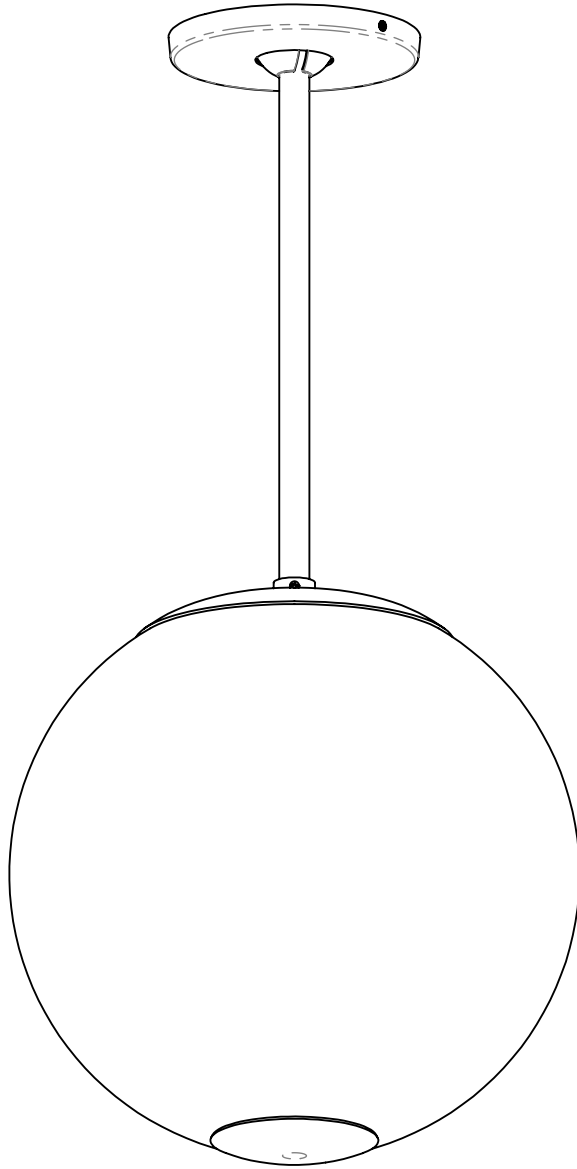


INSTALLATION INSTRUCTIONS

Model: **CP7126 & CP7128**
Fixture Family: **GLOBE PENDANT - STEM MOUNT**
Document Description: Installation Instructions for
Stem mount Globe pendants

VISA LIGHTING
AN OLDENBURG GROUP COMPANY
1717 West Civic Drive Milwaukee, WI 53209
414-354-6600
Design Modification Rights Reserved
© Visa Lighting



ZUME - IN

CP7126-8

CP7126-12

CP7126-16

CP7126-22

CP7128-12

CP7128-16

CP7128-22

TABLE OF CONTENTS

SHEET 2: SWIVEL HANGER AND STEM INSTALLATION

SHEET 3: GLOBE / STEM ATTACHMENT INSTALLATION

SHEET 4: RMD INSTALLATION NOTES

Drawing: 762059XX

Rev: A

Sheet: 1 of 4

Eng: CGA

Date Drawn: 10/16/23

When using electrical equipment, basic safety precautions should always be followed, including the following:

- Read all instructions carefully before installing and save for future use.
- Make sure all connections are in accordance with the National Electrical Code and local regulations.
- To avoid possible electric shock, be sure the power supply is turned off before servicing or installing the fixture.
- Service should be performed by qualified personnel.
- These instructions may not cover all details or variations. If additional information is needed, please contact Visa Lighting.

INSTALLATION INSTRUCTIONS

Model: **CP7126 & CP7128**
Fixture Family: **GLOBE PENDANT - STEM MOUNT**
Document Description: Installation Instructions for
Stem mount Globe pendants

VISA LIGHTING
AN OLDENBURG GROUP COMPANY
1717 West Civic Drive Milwaukee, WI 53209
414-354-6600
Design Modification Rights Reserved
© Visa Lighting

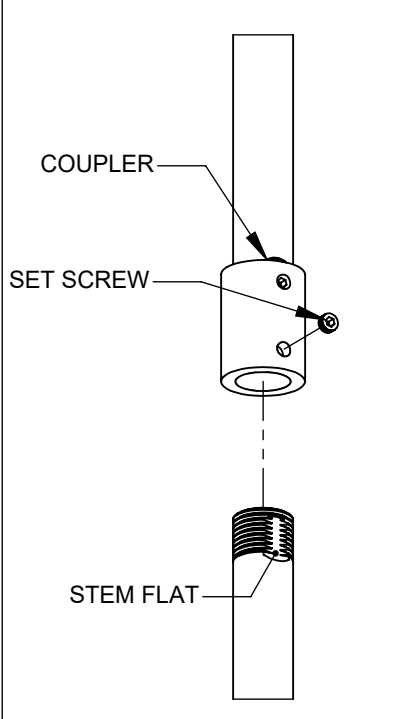
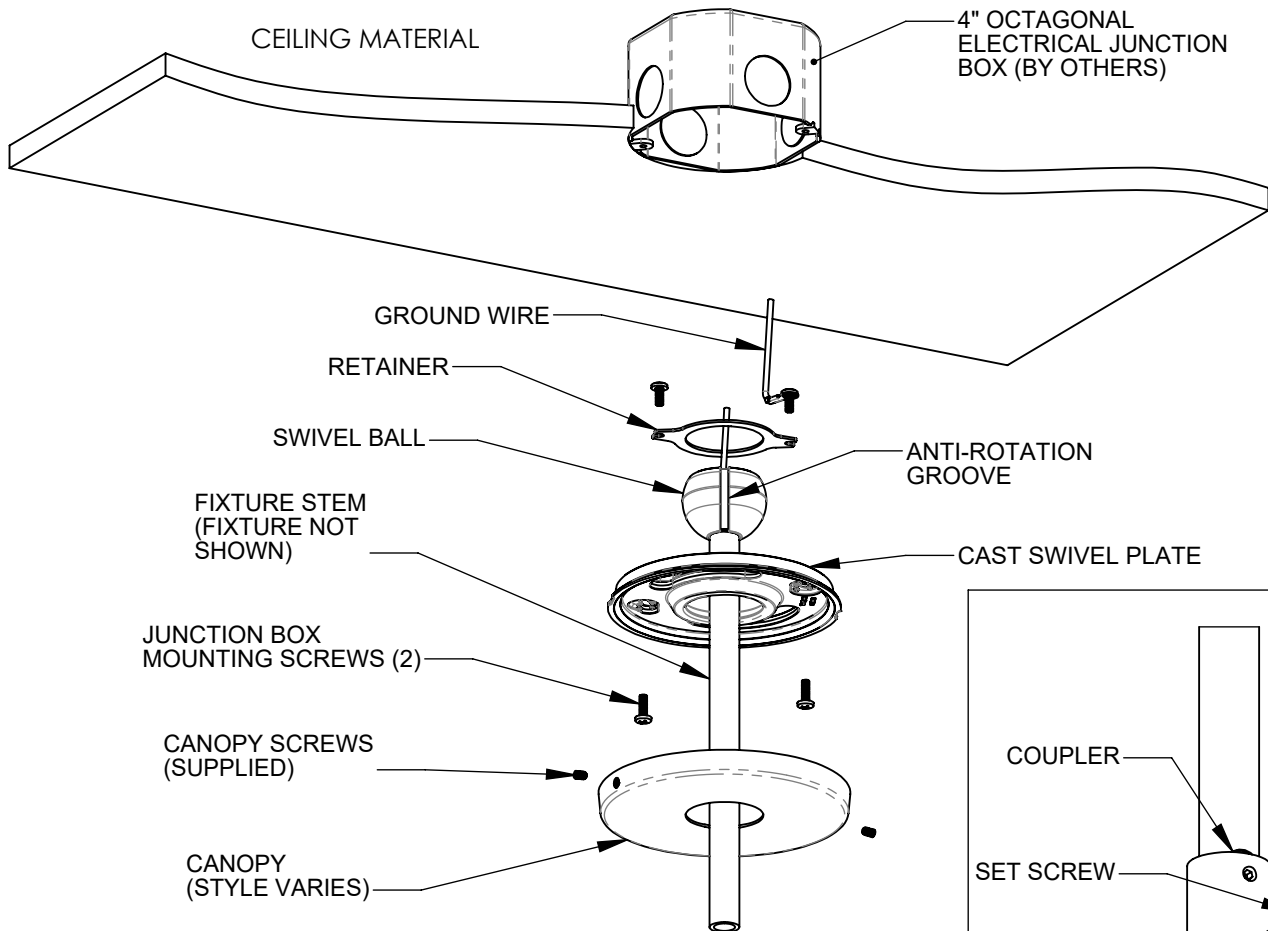
Drawing: 762059XX

Rev: A

Sheet: 2 of 4

Eng: CGA

Date Drawn: 10/16/23



For a longer stem, attach the stem segments with supplied coupler. Align flats on stem to set screws and securely fasten.

Preparation

Check all instructions with the fixture as some preparation may be necessary before the following steps

Instructions

1. Depending on the length of screws supplied with the junction box (by others), you may need to use the longer screws provided.
2. Insert swivel ball/stem assembly through cast swivel plate and fasten swivel ball retainer and ground wire with screws provided.
3. Insert stem through canopy, pull fixture wires through stem and securely fasten stem to the fixture.
4. Fasten cast swivel plate to junction box with #8-32 screws provided.
5. Make all wire connections per local and national codes.
6. Lift canopy in place and secure with screws provided.



When using electrical equipment, basic safety precautions should always be followed, including the following:

- Read all instructions carefully before installing and save for future use.
- Make sure all connections are in accordance with the National Electrical Code and local regulations.
- To avoid possible electric shock, be sure the power supply is turned off before servicing or installing the fixture.
- Service should be performed by qualified personnel.
- These instructions may not cover all details or variations. If additional information is needed, please contact Visa Lighting.

INSTALLATION INSTRUCTIONS

Model: **CP7126 & CP7128**
Fixture Family: **GLOBE PENDANT - STEM MOUNT**
Document Description: Installation Instructions for
Stem mount Globe pendants

VISA LIGHTING
AN OLDENBURG GROUP COMPANY
1717 West Civic Drive Milwaukee, WI 53209
414-354-6600
Design Modification Rights Reserved
© Visa Lighting

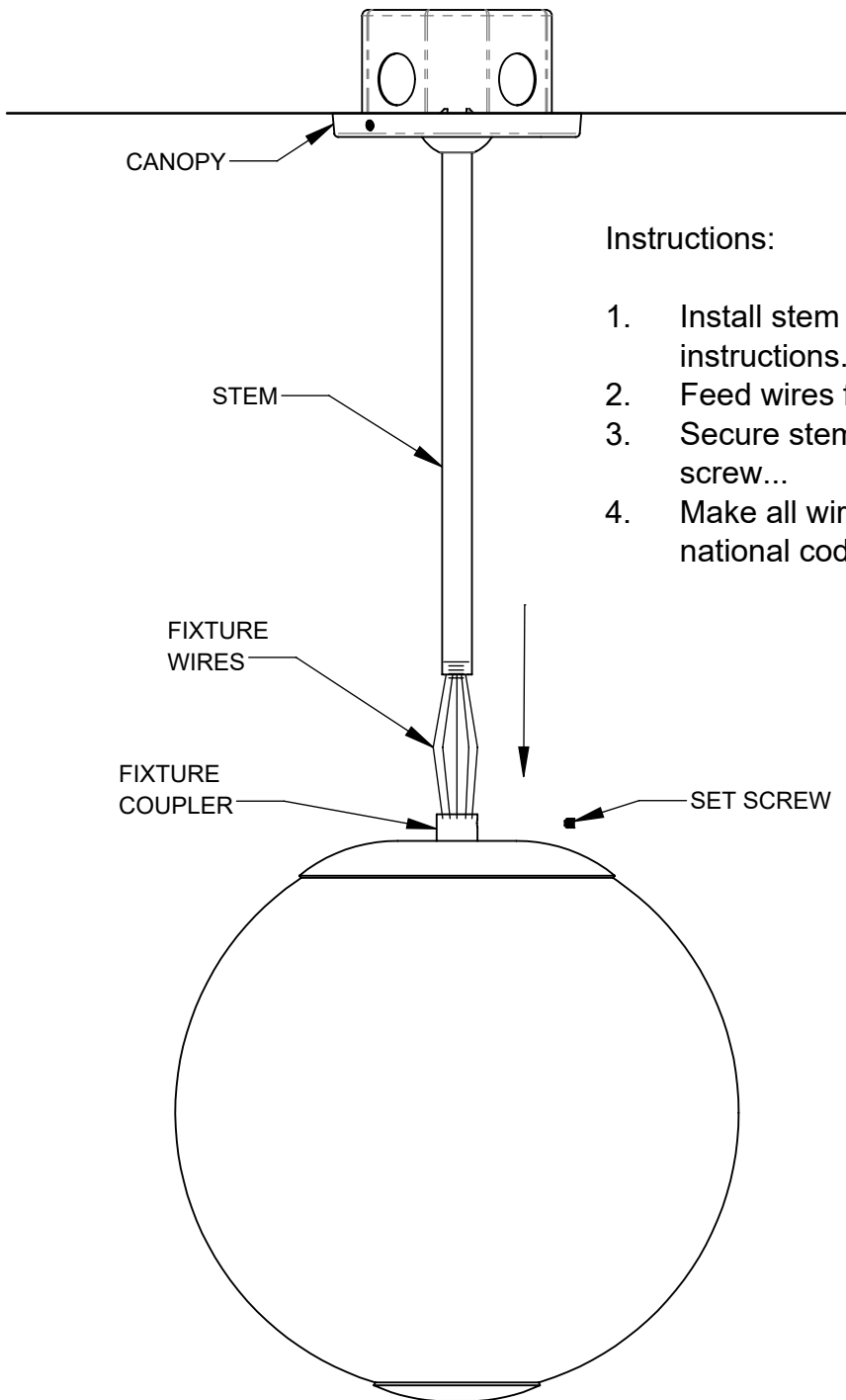
Drawing: 762059XX

Rev: A

Sheet: 3 of 4

Eng: CGA

Date Drawn: 10/16/23



Instructions:

1. Install stem and canopy, per previous instructions.
2. Feed wires from top of fixture through stem
3. Secure stem to fixture coupler, tighten set screw...
4. Make all wire connections per local and national codes

When using electrical equipment, basic safety precautions should always be followed, including the following:

- Read all instructions carefully before installing and save for future use.
- Make sure all connections are in accordance with the National Electrical Code and local regulations.
- To avoid possible electric shock, be sure the power supply is turned off before servicing or installing the fixture
- Service should be performed by qualified personnel.
- These instructions may not cover all details or variations. If additional information is needed, please contact Visa Lighting.

INSTALLATION INSTRUCTIONS

Model: **CP7126 & CP7128**
Fixture Family: **GLOBE PENDANT - STEM MOUNT**
Document Description: Installation Instructions for
Stem mount Globe pendants

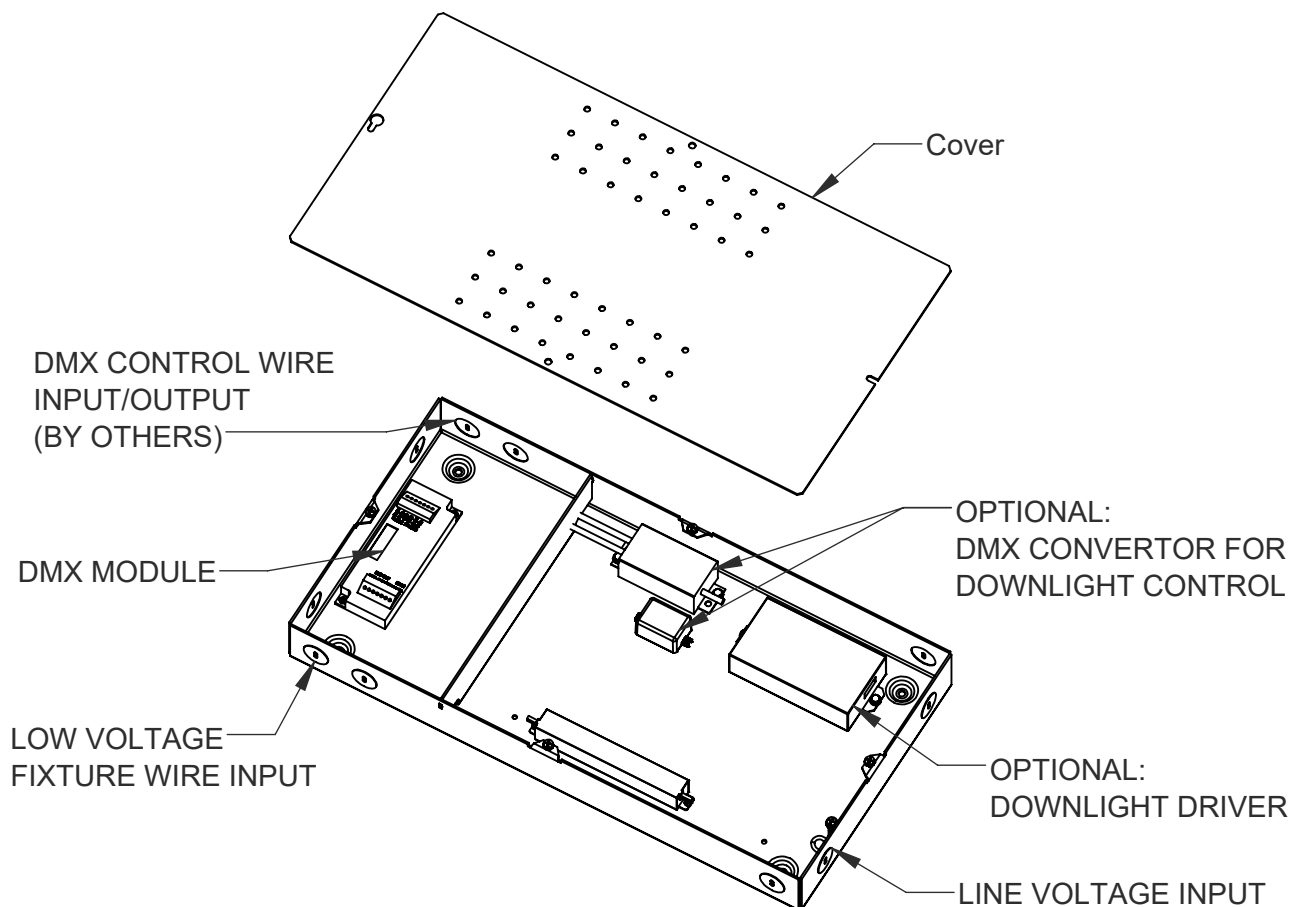
VISA LIGHTING
AN OLDENBURG GROUP COMPANY
1717 West Civic Drive Milwaukee, WI 53209
414-354-6600
Design Modification Rights Reserved
© Visa Lighting

RMD - Remote Driver option.

INSTRUCTIONS

Configuration shown illustrates RMD to support fixture with RGBW body and White LED Downlight. Components shown may vary depending on options ordered.

1. Remove Cover by removing (4) cover screws
2. Mount Remote Box in an accessible area per local and national codes, use fasteners appropriate for the mounting surface (hardware not included)
3. Make line voltage connections in the RMD Box area shown
4. Make Class II (low voltage) connections from fixture - to corresponding wires in RMD Box area shown
5. Bring in (and out if needed), DMX control wiring in the area shown



- When using electrical equipment, basic safety precautions should always be followed, including the following:
- Read all instructions carefully before installing and save for future use.
 - Make sure all connections are in accordance with the National Electrical Code and local regulations.
 - To avoid possible electric shock, be sure the power supply is turned off before servicing or installing the fixture.
 - Service should be performed by qualified personnel.
 - These instructions may not cover all details or variations. If additional information is needed, please contact Visa Lighting.