

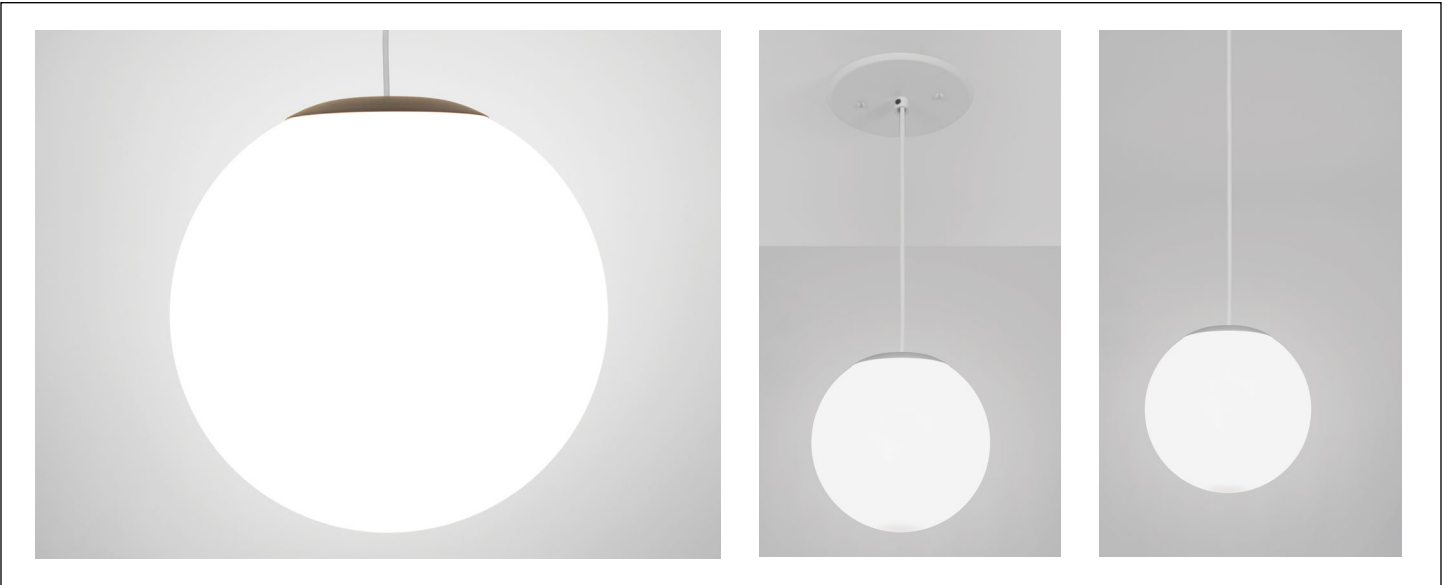
# CP7120 ZUME™ IN

## Indoor Luminous Globe



[VisaLighting.com/products/Zume-In](https://VisaLighting.com/products/Zume-In)

Type: \_\_\_\_\_ Project: \_\_\_\_\_ Location: \_\_\_\_\_



### DIMENSIONS <sup>1,6</sup>

**OAH MUST BE SPECIFIED**

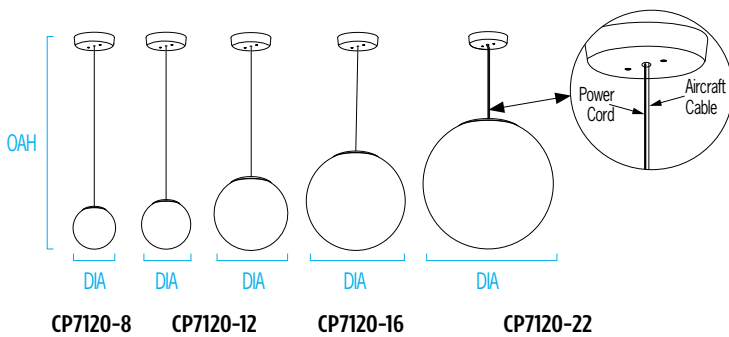
OAH is the distance (in inches) from the bottom of the fixture to the ceiling plane

DIA = Diameter OAH = Standard Overall Height WT=Weight

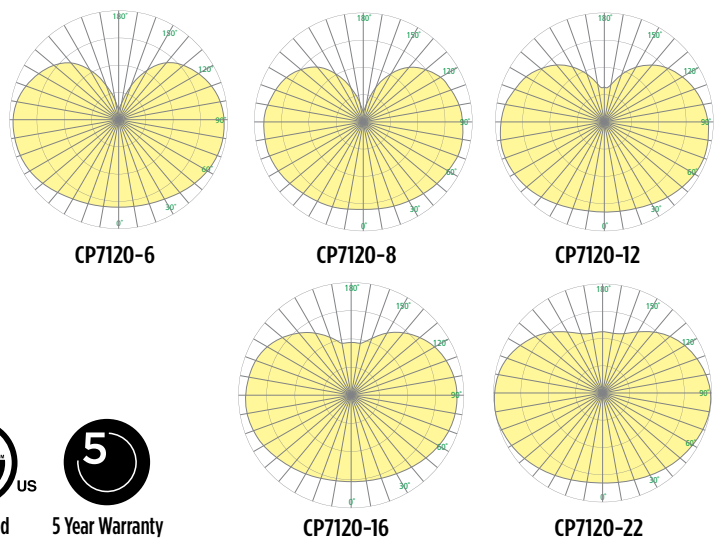
CP7120-	6	8	12	16	22
<b>DIA</b>	6" (152 mm)	8" (203 mm)	12" (305 mm)	16" (406 mm)	22" (559 mm)
<b>MIN OAH</b>	14" (356 mm)	16" (406 mm)	20" (508 mm)	24" (610 mm)	30" (762 mm)
<b>STD OAH</b>	72" (1829 mm)	72" (1829 mm)	72" (1829 mm)	72" (1829 mm)	72" (1829 mm)
<b>MAX OAH</b>	192" (4877 mm)	192" (4877 mm)	192" (4877 mm)	192" (4877 mm)	192" (4877 mm)
<b>WT</b>	4 lbs	4 lbs	5 lbs	6 lbs	10 lbs

### FEATURES

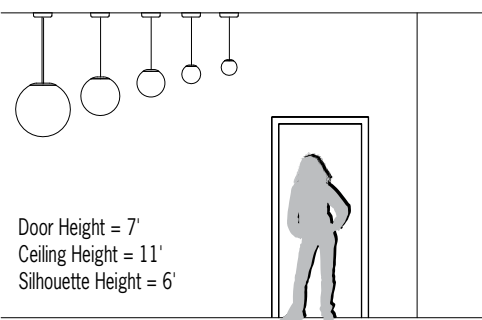
- BAA (Buy American Act) and BABA (Build American, Buy America) compliant
- Consistent luminance across all sizes
- Remote Driver (RMD) or Driver in Canopy (SDC) configurations available
- Remote Driver (RMD) includes round canopy 5-1/4" diameter and 1/2" deep
- Driver in canopy (SDC) includes round canopy 6-3/8" diameter and 1-1/2" deep
- Canopy mounts over 4x4 junction box (by others) with provided hardware and is painted white
- One piece gloss white acrylic globe for seamless appearance
- Suspended by 2-conductor white power cord (8", 12" and 16"); 22" suspended by aircraft cable
- Non-VOC powder coat finishes or environmentally friendly low VOC metal alternative finishes
- ETL listed for damp locations. Not suited for exterior applications



### PHOTOMETRICS



### RELATIVE SCALE DRAWING



# CP7120 ZUME IN (cont.)

## Indoor Luminous Globe



Fill in shaded boxes using information listed below

CP7120		- MVOLT						
<b>MODEL</b>	<b>DIAMETER<sup>1</sup></b> 6" 8" 12" 16" 22" <i>See page 1</i>	<b>SOURCE<sup>2</sup></b> L30K L35K L40K	<b>SOURCE OPTION<sup>3</sup></b> 90CRI  <i>Minimum 80CRI is standard if option is not selected</i>	<b>VOLTAGE MVOLT</b>	<b>CAP FINISH</b>  <i>See last page for finish order codes</i>	<b>DRIVER<sup>4</sup></b> RMD SDC	<b>OPTION<sup>5</sup></b> DCC	<b>OAH<sup>6</sup></b>  <i>See page 1</i>

### SOURCE<sup>2</sup> (Select one)

Dimmable 0-10V to 1%, minimum 80CRI, within 3-step MacAdam

Bodylight Source	Delivered Lumens				
	CP7120-6	CP7120-8	CP7120-12	CP7120-16	CP7120-22
<b>L30K</b>	750	1050	2300	3500	5900
<b>L35K</b>	775	1100	2400	3600	6100
<b>L40K</b>	800	1150	2400	3800	6300
<b>Power (Watts)</b>	6	8	17	30	47

### VOLTAGE

<b>MVOLT</b>	120-277V, 50/60 Hz
--------------	--------------------

### LUMEN MAINTENANCE RATING

<b>L70 (reported)</b>	>55,000 hrs
-----------------------	-------------

### SOURCE OPTION<sup>3</sup>

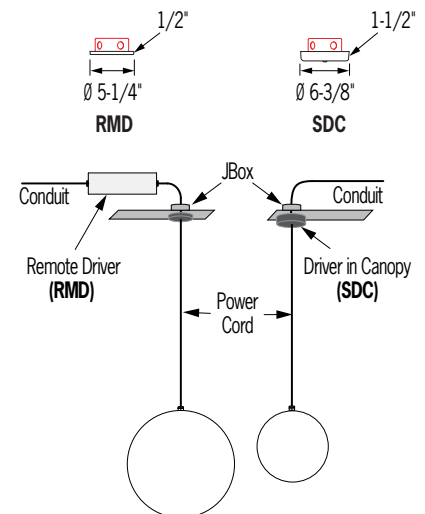
Minimum 80CRI within 3-step MacAdam is standard if option is not selected

<b>90CRI</b>	Color rendering index minimum 90, minimum R9 value of 50 (delivered lumens reduced by 15%)
--------------	--

### DRIVER<sup>4</sup> (Select one)

**▲ Availability may be interdependent with Voltage, Source or Other Options**

<b>SDC</b>	Surface canopy with integral driver; canopy is painted white
<b>RMD</b>	Remote driver enclosure, has knockouts for conduit connection, may be recess mounted with insulation contact (type IC). Canopy is painted white. <i>See page 3 for more information</i>



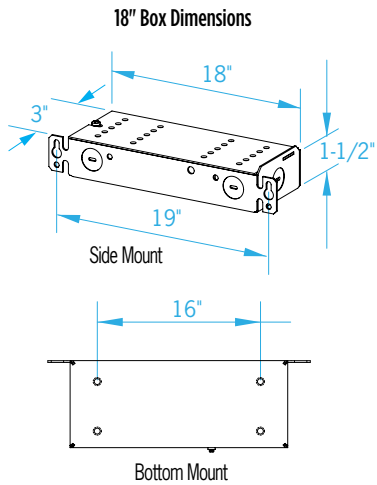
Options continued on Page 3

# CP7120 ZUME IN (cont.)

## Indoor Luminous Globe



### REMOTE DRIVER (RMD) INFORMATION



Model	Maximum Recommended Remote Wiring Distance from RMD to fixture canopy			
	12AWG	14AWG	16AWG	18AWG
CP7120-6	2000	1250	750	500
CP7120-8	1425	900	550	325
CP7120-12	550	350	225	125
CP7120-16	250	150	100	50
CP7120-22	100	50	25	25

All distances in feet

Remote driver boxes have knockouts for conduit connections

### OPTION<sup>5</sup>

⚠ Option availability may be interdependent with Other Options

DCC	Damp clear coat for metal finishes (required for 5 year warranty when used in damp locations)
-----	---

# CP7120 ZUME IN (cont.)

## Indoor Luminous Globe

### ZUME PRODUCT FAMILY

Indoor	White LED		RGBW	
Zume In	<ul style="list-style-type: none"> <li>• CP7120-6</li> <li>• CP7120-8</li> <li>• CP7120-12</li> <li>• CP7120-16</li> </ul>	<b>Cord Suspension</b>	<ul style="list-style-type: none"> <li>• CP7126-8</li> <li>• CP7126-12</li> <li>• CP7126-16</li> <li>• CP7126-22</li> </ul>	<b>Stem</b>
	<ul style="list-style-type: none"> <li>• CP7120-22</li> </ul>	<b>Cord &amp; Cable Suspension</b>		
Zume DL	<ul style="list-style-type: none"> <li>• CP7122-12</li> <li>• CP7122-16</li> <li>• CP7122-22</li> </ul>	<b>Cord &amp; Cable Suspension</b>	<ul style="list-style-type: none"> <li>• CP7128-8</li> <li>• CP7128-12</li> <li>• CP7128-16</li> <li>• CP7128-22</li> </ul>	<b>Stem</b>
<b>Outdoor</b>				
Zume Out	<b>Cord &amp; Cable Suspension</b>	<ul style="list-style-type: none"> <li>• OP2120-ShortCap — 12"</li> <li>• OP2130-ShortCap — 16"</li> <li>• OP2140-ShortCap — 20"</li> </ul>	<ul style="list-style-type: none"> <li>• OP2120-SolidCap — 12"</li> <li>• OP2130-SolidCap — 16"</li> <li>• OP2140-SolidCap — 20"</li> </ul>	<ul style="list-style-type: none"> <li>• OP2120-SlottedCap — 12"</li> <li>• OP2130-SlottedCap — 16"</li> <li>• OP2140-SlottedCap — 20"</li> </ul>
	<b>Catenary Suspension</b>	<ul style="list-style-type: none"> <li>• OP2122-ShortCap — 12"</li> <li>• OP2132-ShortCap — 16"</li> <li>• OP2142-ShortCap — 20"</li> </ul>	<ul style="list-style-type: none"> <li>• OP2122-SolidCap — 12"</li> <li>• OP2132-SolidCap — 16"</li> <li>• OP2142-SolidCap — 20"</li> </ul>	<ul style="list-style-type: none"> <li>• OP2122-SlottedCap — 12"</li> <li>• OP2132-SlottedCap — 16"</li> <li>• OP2142-SlottedCap — 20"</li> </ul>
	<b>Stem Suspension</b>	<ul style="list-style-type: none"> <li>• OP2124-ShortCap — 12"</li> <li>• OP2134-ShortCap — 16"</li> <li>• OP2144-ShortCap — 20"</li> </ul>	<ul style="list-style-type: none"> <li>• OP2124-SolidCap — 12"</li> <li>• OP2134-SolidCap — 16"</li> <li>• OP2144-SolidCap — 20"</li> </ul>	<ul style="list-style-type: none"> <li>• OP2124-SlottedCap — 12"</li> <li>• OP2134-SlottedCap — 16"</li> <li>• OP2144-SlottedCap — 20"</li> </ul>

See [Visalighting.com/families/zume](https://visalighting.com/families/zume) for more information

### SUGGESTED VARIATION

- Recommend Model CP7122 with custom cover plate over downlight opening for CCT consistency in spaces requiring combinations of globes with and without downlight

# CP7120 ZUME IN (cont.)

## Indoor Luminous Globe



### FINISHES

Specify color code when ordering. For accurate color matching, individual paint and finish samples are [available upon request](#). For more information about our finishes visit [visalighting.com/finishes](https://visalighting.com/finishes)


#### Powder Coat Paint Finishes (Standard)

						
<b>AGGY</b> Agate Grey	<b>ALGN</b> Alpine Green	<b>BMAT</b> Bronze Matte	<b>BRNZ</b> Bronze	<b>BSIL</b> Blade Silver	<b>CVBL</b> Cove Blue	<b>DEOR</b> Deoro Gold
						
<b>GLWT</b> Glacier White	<b>GSIL</b> Graphite Silver	<b>HRGR</b> Harbor Grey	<b>JTBK</b> Jet Black	<b>OCBL</b> Ocean Blue	<b>SHGR</b> Shoreline Grey	<b>SBGN</b> Sagebrush Green
						
<b>SLGR</b> Slate Grey	<b>SSTP</b> Sierra Taupe	<b>TRCN</b> Terracotta Canyon	<b>TRWT</b> Traffic White	<b>VBLK</b> Velvet Black	<b>VNRD</b> Vineyard Red	

#### Alternative Metal Finishes (Premium)

			
<b>BBA</b> Brushed Brass Alternative	<b>BCA</b> Brushed Chrome Alternative	<b>BUA</b> Brushed Copper Alternative	<b>BZA</b> Brushed Bronze Alternative
			
<b>OBA</b> Oil-Rubbed Bronze Alternative	<b>PRA</b> Pewter Alternative	<b>RBA</b> Rustic Brass Alternative	<b>SNA</b> Satin Nickel Alternative

#### Metal Finish (Premium)


<b>BA</b> Brushed Aluminum

