

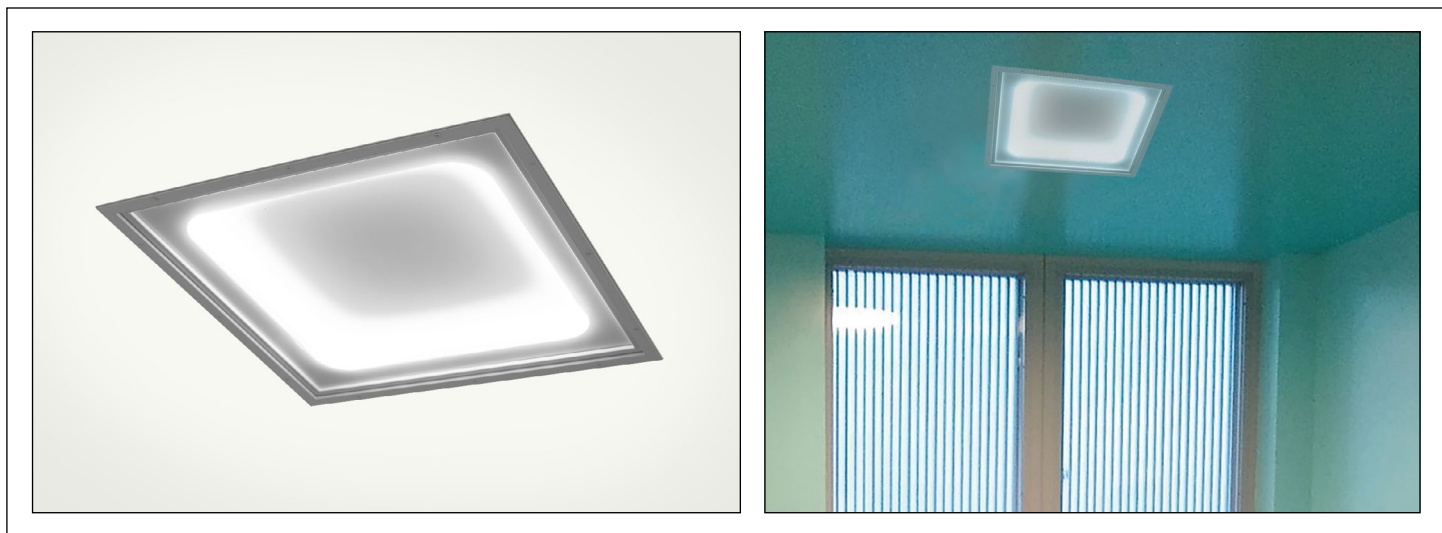
CM1884-W HARMONY™ US Patent pending

2' x 2' Behavioral & Mental Health, General Use



VisaLighting.com/products/Harmony

Type: _____ Project: _____ Location: _____



DIMENSIONS

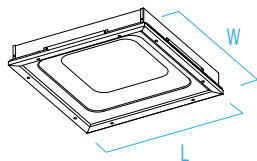
W = Width L = Length WT = Weight

	Grid Install	SRI Install
W	23-3/4" (603 mm)	27-1/2" (700 mm)
L	23-3/4" (603 mm)	27-1/2" (700 mm)
WT (Housing)	22 lbs (9979 gm)	
WT (Driver Box)	< 2.5 lbs (<1134 gm)	

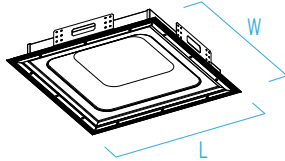
FEATURES

- BAA (Buy American Act) and BABA (Build American, Buy America) compliant
 - High, medium and low lumen output options
 - Impact tests performed exceed IK10 rating over multiple impacts and include ligature resistance testing after each impact
 - High abuse lens and frame features 3/16" thick, high impact clear polycarbonate secured with tamper resistant fasteners
 - Ligature resistant; sheetrock/drywall installation (see [Installation Instructions](#)), not suited for grid ceiling installation
 - Driver mounted in a separate enclosure; must be remote mounted
 - Optional 90+CRI (delivered lumens reduced by 5%)
-
- Diffuser: one piece vacuum formed high transmittance matte white acrylic
 - Housing: 14-gauge aluminum body coated in high-reflectance white paint
 - Front Bezel: one piece 14-gauge aluminum powder coated in matte white
 - Finish: all powder-coated surfaces utilize antimicrobial paint (no VOC)
-
- Room side of unit is Certified IP64, sheetrock/drywall installation only
 - Suitable for restricted air flow applications. See [Installation Instructions](#) for more information
 - ETL listed for damp locations. Not suitable for exterior applications

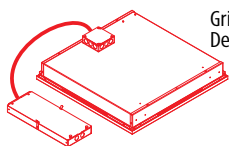
Grid Installation



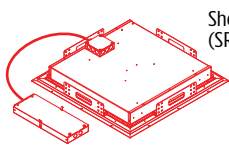
SRI Installation



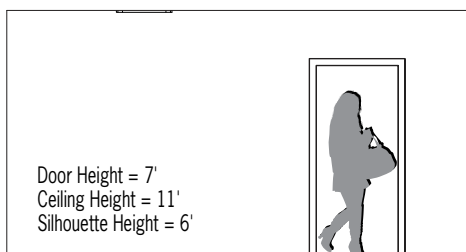
Grid Installation Detail



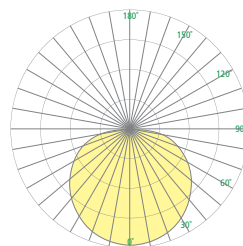
Sheetrock Installation (SRI) Detail



RELATIVE SCALE DRAWING



PHOTOMETRICS



Buy American Compliant



IP64 Certified



ETL Listed



5 Year Warranty

CM1884-W HARMONY (cont.)

2' x 2' Behavioral & Mental Health, General Use



EXAMPLE: CM1884-W-L35K(H)-MVOLT-90CRI-BHSRI

CM1884-W					
MODEL	SOURCE ¹	VOLTAGE	CRI	INSTALLATION	OPTION
CM1884-W	<ul style="list-style-type: none"> • L30K(H) • L30K(M) • L30K(L) • L35K(H) • L35K(M) • L35K(L) • L40K(H) • L40K(M) • L40K(L) 	MVOLT	90CRI Minimum CRI of 90 Minimum R9 value of 50 Lumen output reduced by 5% Minimum 80CRI if 90CRI is not selected	BHSRI BH Casing for Hard Ceiling BHGRID BH Casing for Grid Ceiling	CP Chicago Plenum

SOURCE¹ (Select one)

Dimmable 0–10V to 1%, Minimum 80CRI, within 3–step MacAdam

Source	CCT	Delivered Lumens	Power (Watts)
L30K(H)	3000K	3500	52
L30K(M)	3000K	2600	38
L30K(L)	3000K	1700	25
L35K(H)	3500K	3600	52
L35K(M)	3500K	2700	38
L35K(L)	3500K	1800	25
L40K(H)	4000K	3600	52
L40K(M)	4000K	2700	38
L40K(L)	4000K	1800	25

90CRI option reduces lumen output by 5%

LUMEN MAINTENANCE RATING

L85 (reported)	>60,000 hrs
----------------	-------------

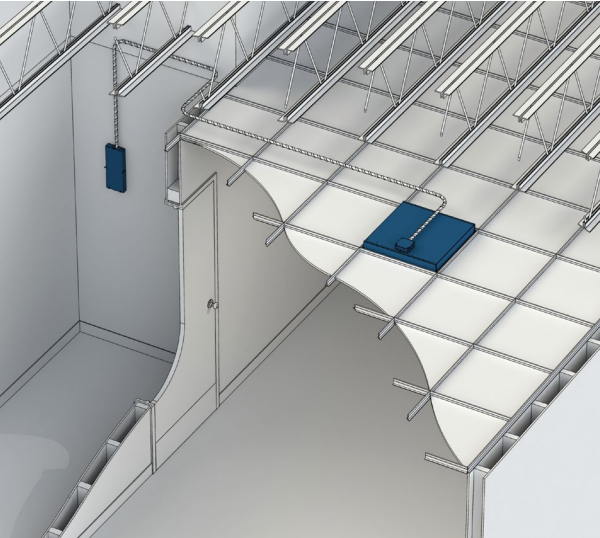
Reported Lifetime per IES TM-21

CM1884-W HARMONY (cont.)

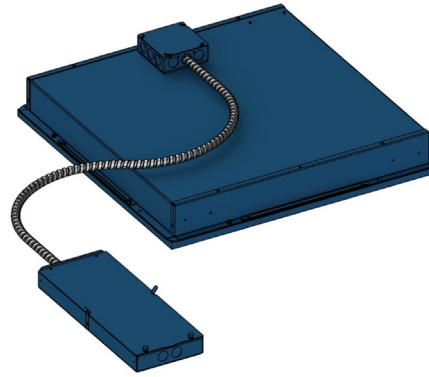
2' x 2' Behavioral & Mental Health, General Use



REMOTE DRIVER

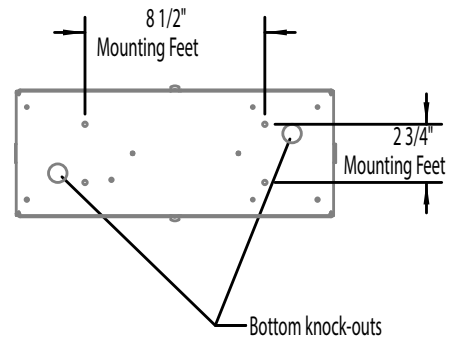
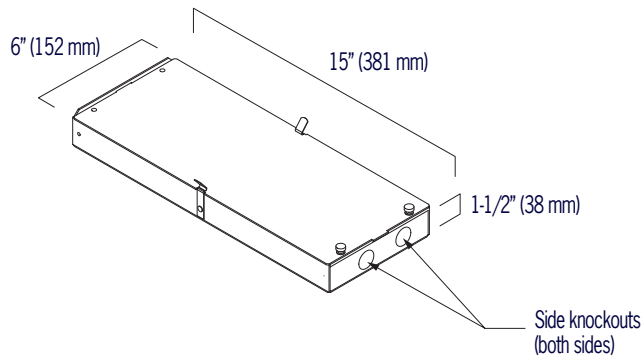


The slim Remote Driver compartment must be mounted in remote locations such as corridors and wiring closets on the floor or wing of the facility using low voltage wiring.



Top mounted 4x4 J-box included with remote driver
Wiring by others

REMOTE DRIVER BOX INFORMATION



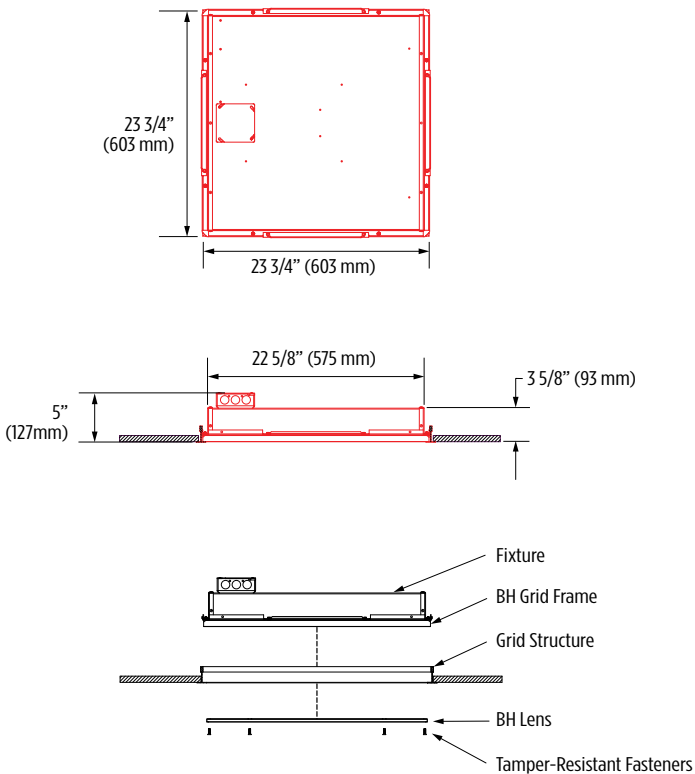
CM1884-W HARMONY (cont.)

2' x 2' Behavioral & Mental Health, General Use

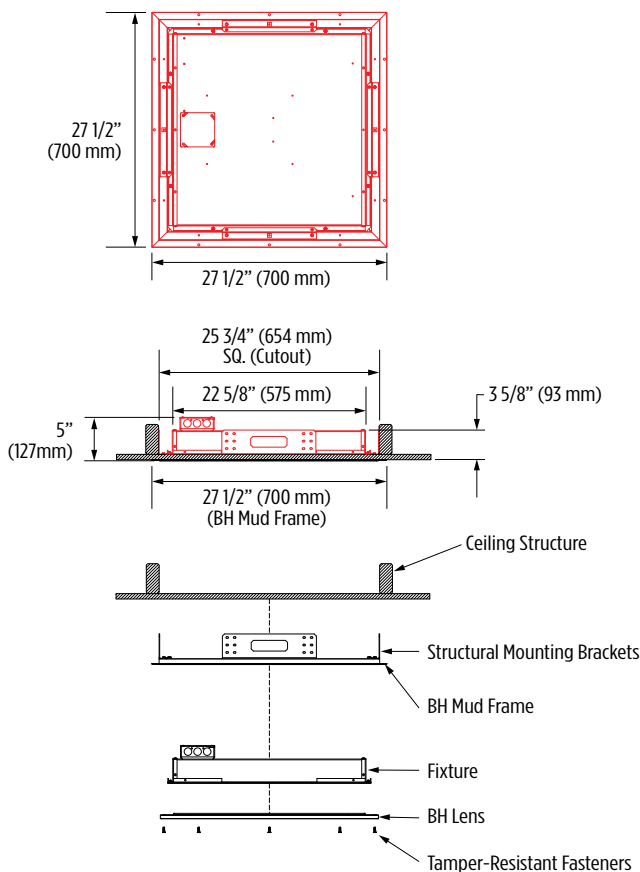


INSTALLATION INFORMATION

Grid Installation (BHGrid) Detail



Sheetrock Installation (BHSRI) Detail



HARMONY PRODUCT FAMILY

Overbed	2'x4'	• CM1885-W
High Abuse/ Behavioral Health/ General Use	2'x2'	• CM1884-W
Tunable High Abuse/ Behavioral Health/ General Use	2'x2'	• CM1884-T

SUGGESTED VARIATIONS

- Alternate dimming control compatibility
- Custom colors for lens frame
- Custom light output

See [VisaLighting.com/products/Harmony](https://www.VisaLighting.com/products/Harmony) for more information