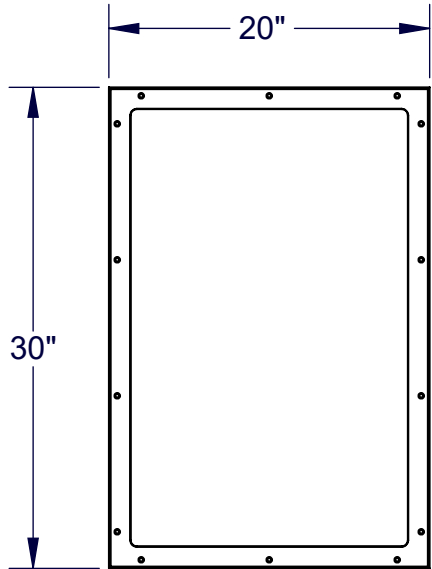


INSTALLATION INSTRUCTIONS

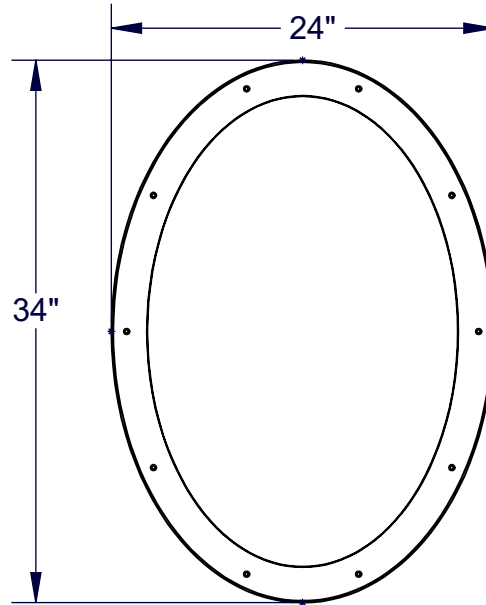
Model: **CB1851, CB1853**
Fixture Family: **SOLE**
Document Description: Installation Instructions for
Sole Series Mirrors

VISA LIGHTING
AN OLDENBURG GROUP COMPANY
1717 West Civic Drive Milwaukee, WI 53209
414-354-6600
Design Modification Rights Reserved
© Visa Lighting 2024

Installation instruction video: <https://youtu.be/Wb9MbmjCKtk>



CB1851 - RECTANGULAR



CB1853 - OVAL

Sheet 1: COVER PAGE/CLEANING AND CARE INSTRUCTIONS
Sheet 2: IMPORTANT SAFETY INSTRUCTIONS
Sheet 3: SHIPPING NOTES + TOOLS REQUIRED
Sheet 4: FRAMING INSTRUCTIONS
Sheet 5: Use provide cardboard template. Drill holes/ Trace center cut
Sheet 6: Cut and install wood blocking
Sheet 7: Remote mounted driver box
Sheet 8: Install LED assembly + Install lens frame assembly
Sheet 9: Wiring Diagram

CLEANING AND CARE INSTRUCTIONS

Use care when cleaning this LED Luminaire. The mirror is made of polycarbonate. Do not use abrasive cleaners, chemicals or solvents which may result in surface damage to lens or housing. The luminaire can be cleaned with mild soap and warm water. Use a microfiber cloth to clean mirror surface.

- !** When using electrical equipment, basic safety precautions should always be followed, including the following:
- Read all instructions carefully before installing and save for future use.
 - Make sure all connections are in accordance with the National Electrical Code and local regulations.
 - To avoid possible electric shock, be sure the power supply is turned off before servicing or installing the fixture
 - Service should be performed by qualified personnel.
 - These instructions may not cover all details or variations. If additional information is needed, please contact Visa Lighting.

INSTALLATION INSTRUCTIONS

Model: **CB1851, CB1853**
Fixture Family: **SOLE**
Document Description: Installation Instructions for
Sole Series Mirrors

 **VISA LIGHTING**
AN OLDENBURG GROUP COMPANY
1717 West Civic Drive Milwaukee, WI 53209
414-354-6600
Design Modification Rights Reserved
© Visa Lighting

IMPORTANT SAFETY INSTRUCTIONS

To reduce the risk of burns, fire, electric shock, or injury to persons:

1. Use this illuminated mirror for its intended use as described in these instructions.
2. Do not use attachments not recommended by the manufacturer.
3. Install per applicable local and national codes.

Risk of Death or Serious Injury:

4. Do not install near pools, ponds, or other bodies of water.

To reduce risk of Ligature:

5. Ensure all fasteners are fully seated and do not protrude from the mirror frame.
6. Apply a pick-proof sealant around the perimeter of the frame at mounting surface.

Ingress protection:

7. Ingress protection for fixture is from the outside only. Sole is not sealed from wall cavity.
8. Wall gasket must be installed on a smooth flat surface (i.e. acrylic or vinyl for wash down applications) for IP65 rating. Rough, textured, round, or otherwise curved surfaces require additional sealing measures (not provided).

Grounding Instructions:

9. The remote driver box must be connected to a grounded metal, permanent wiring system, or an equipment grounding conductor must be run with the circuit conductors and connected to the equipment grounding terminal or lead on the product. Electrical Ratings: 120-277 VAC, 50/60Hz, 50 W MAX

Wood blocking (furring strips):

10. **WARNING-** Wood blocking must be installed as described to achieve rated impact resistance.
11. Impact ratings are void if wood blocking is not installed as described


Drawing: 762366XX

Rev: C

Sheet: 2 of 9

Eng: AJM

Date Drawn: 11/14/22

 When using electrical equipment, basic safety precautions should always be followed, including the following:

- Read all instructions carefully before installing and save for future use.
- Make sure all connections are in accordance with the National Electrical Code and local regulations.
- To avoid possible electric shock, be sure the power supply is turned off before servicing or installing the fixture
- Service should be performed by qualified personnel.
- These instructions may not cover all details or variations. If additional information is needed, please contact Visa Lighting.

INSTALLATION INSTRUCTIONS

Model: **CB1851, CB1853**
 Fixture Family: **SOLE**
 Document Description: Installation Instructions for
 Sole Series Mirrors

SHIPPING NOTES Each Sole luminaire will be bulk shipped in 5 components:

1. Cardboard wall template
2. Lens frame assembly
3. Painted Pin-in-Torx screws
4. LED assembly
5. Remote Driver Box

Note: CB1853 (OVAL) shown below, CB1851 (RECTANGULAR) is shipped the same way

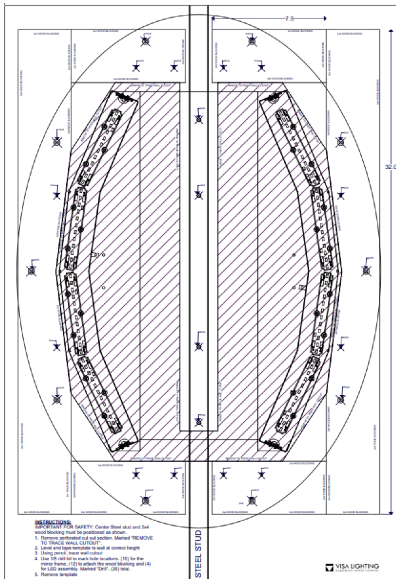
Tools Required:

1. Jigsaw
2. Drill
3. T20 Pin-in-Torx drive
4. Philips screwdriver
5. Level
6. Pencil

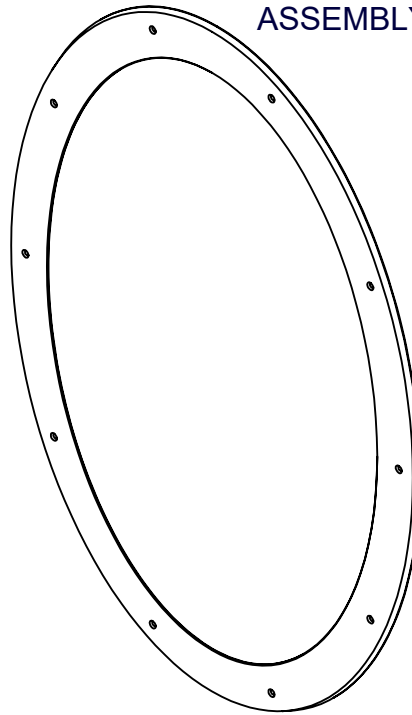
Not included:

- 2x4 Wood blocking
- Wood blocking mounting screws
- Wiring between LED assembly and remote driver box

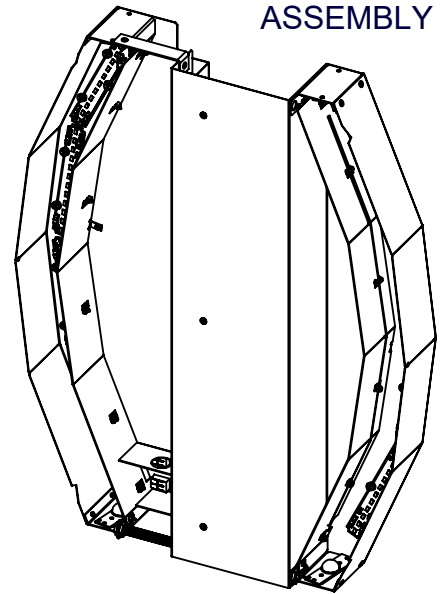
CARDBOARD WALL
TEMPLATE



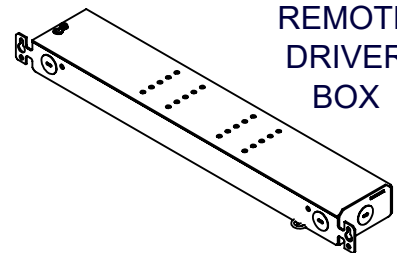
LENS FRAME
ASSEMBLY



RECESSED
HOUSING
ASSEMBLY



REMOTE
DRIVER
BOX



PAINTED FLAT
HEAD PIN-IN-TORX
FRAME SCREWS



! When using electrical equipment, basic safety precautions should always be followed, including the following:

- Read all instructions carefully before installing and save for future use.
- Make sure all connections are in accordance with the National Electrical Code and local regulations.
- To avoid possible electric shock, be sure the power supply is turned off before servicing or installing the fixture.
- Service should be performed by qualified personnel.
- These instructions may not cover all details or variations. If additional information is needed, please contact Visa Lighting.

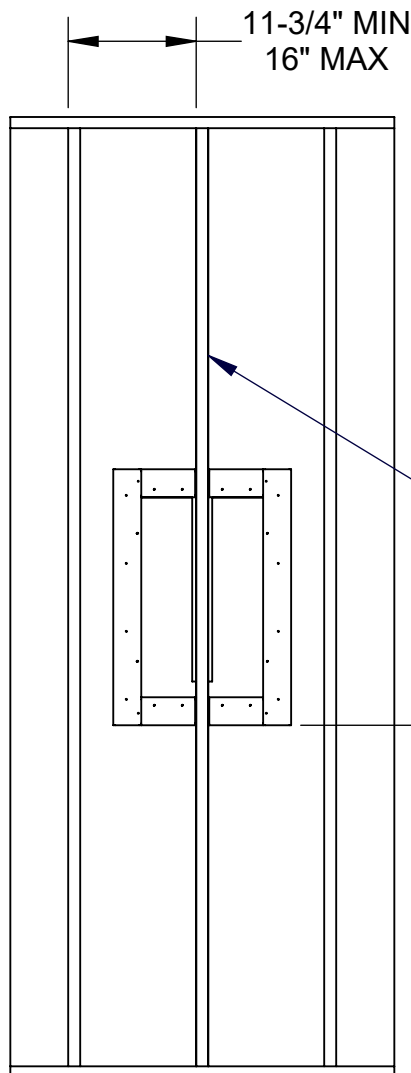
INSTALLATION INSTRUCTIONS

Model: **CB1851, CB1853**
Fixture Family: **SOLE**
Document Description: Installation Instructions for
Sole Series Mirrors

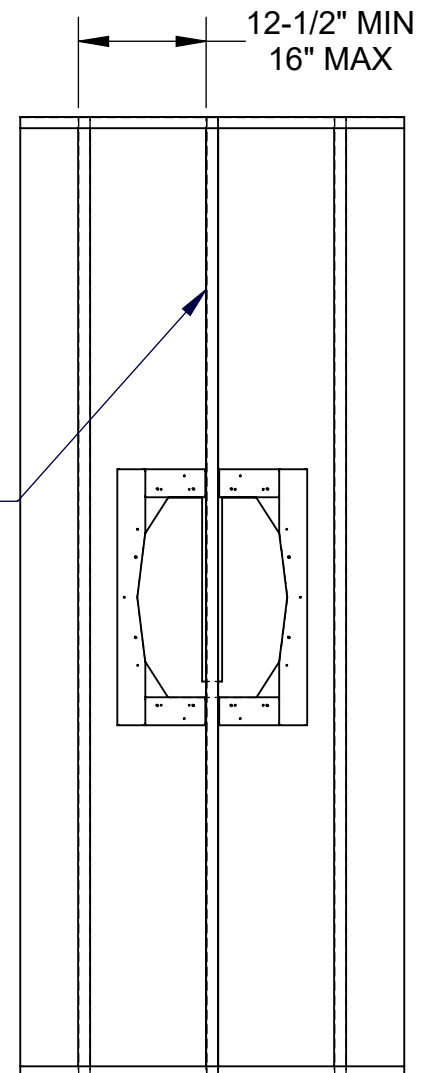
FRAMING INSTRUCTIONS:

1. No parts are required from Visa prior to installing wall board. Wood blocking is installed after cutting hole in wall for LED assembly.
2. For ADA installation - install mirror framing such that lower edge of the mirror surface is per code. The cardboard template supplied outlines this surface.
3. The Center Wall Stud is required for impact resistance. Adjacent Studs to be positioned as follows to provide necessary impact resistance and avoid interference with wood blocking
 - CB1851: 11-3/4" to 16" away from center
 - CB1853: 12-1/2" to 16" away from centerDeviations to this may be acceptable for low risk or non behavioral health areas where impact resistance is of lesser concern, consult the facility for acceptance.

CB1851 - RECTANGULAR



CB1853 - OVAL



**Center Stud
required**

If ADA Installation-
See Notes Above

Drawing: 762366XX

Rev: C

Sheet: 4 of 9

Eng: AJM

Date Drawn: 11/14/22

When using electrical equipment, basic safety precautions should always be followed, including the following:

- Read all instructions carefully before installing and save for future use.
- Make sure all connections are in accordance with the National Electrical Code and local regulations.
- To avoid possible electric shock, be sure the power supply is turned off before servicing or installing the fixture.
- Service should be performed by qualified personnel.
- These instructions may not cover all details or variations. If additional information is needed, please contact Visa Lighting.

INSTALLATION INSTRUCTIONS

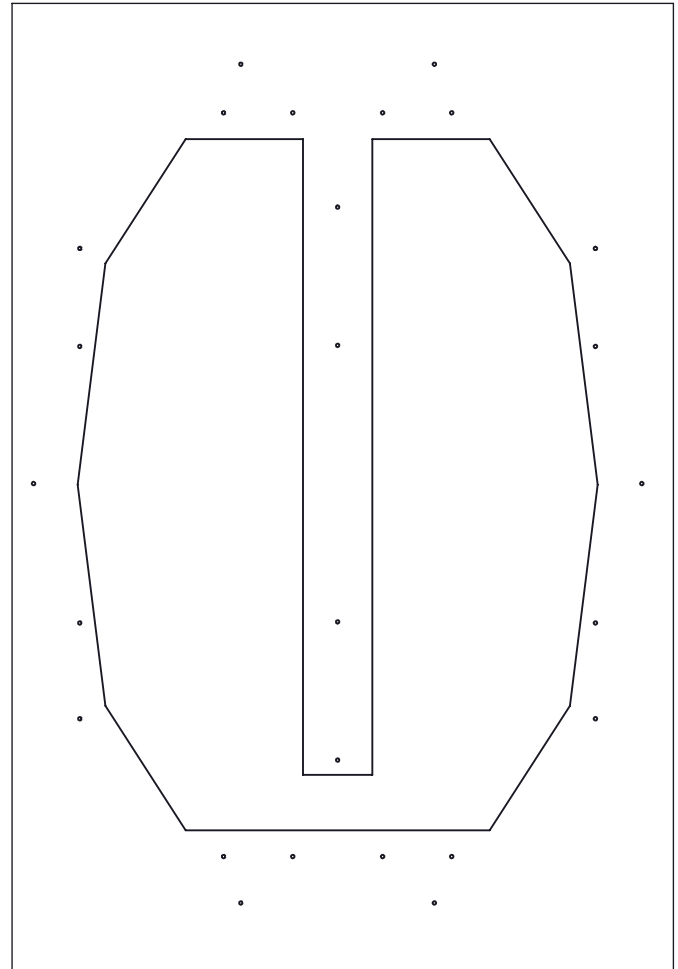
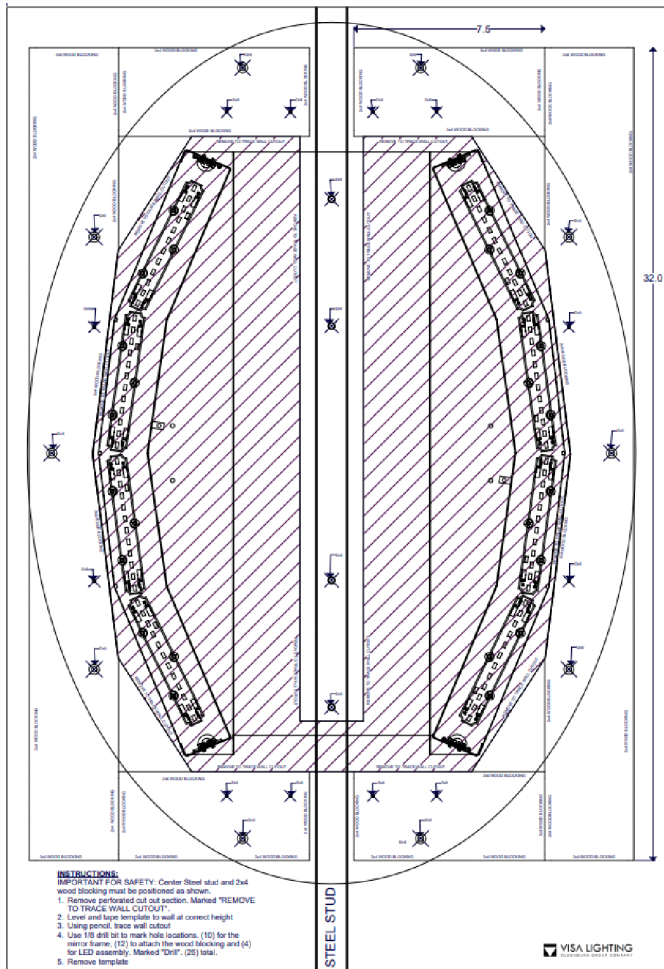
Model: **CB1851, CB1853**
Fixture Family: **SOLE**
Document Description: Installation Instructions for
Sole Series Mirrors

Use cardboard template provided. Drill holes/ Trace center cut

1. Remove perforated, cross-hatched cut out section.
2. Level and tape template to wall at correct height
3. Using pencil, trace wall cutout
4. Use 1/8" dia drill to mark hole locations per the template.
5. Remove template
6. Cut wall surface hole as traced

Example Template for Oval
Mirror shown Below

After removing template, wall
surface will look similar to this:



Drawing: 762366XX

Rev: C

Sheet: 5 of 9

Eng: AJM

Date Drawn: 11/14/22

When using electrical equipment, basic safety precautions should always be followed, including the following:

- Read all instructions carefully before installing and save for future use.
- Make sure all connections are in accordance with the National Electrical Code and local regulations.
- To avoid possible electric shock, be sure the power supply is turned off before servicing or installing the fixture.
- Service should be performed by qualified personnel.
- These instructions may not cover all details or variations. If additional information is needed, please contact Visa Lighting.

INSTALLATION INSTRUCTIONS

Model: **CB1851, CB1853**
Fixture Family: **SOLE**
Document Description: Installation Instructions for
Sole Series Mirrors

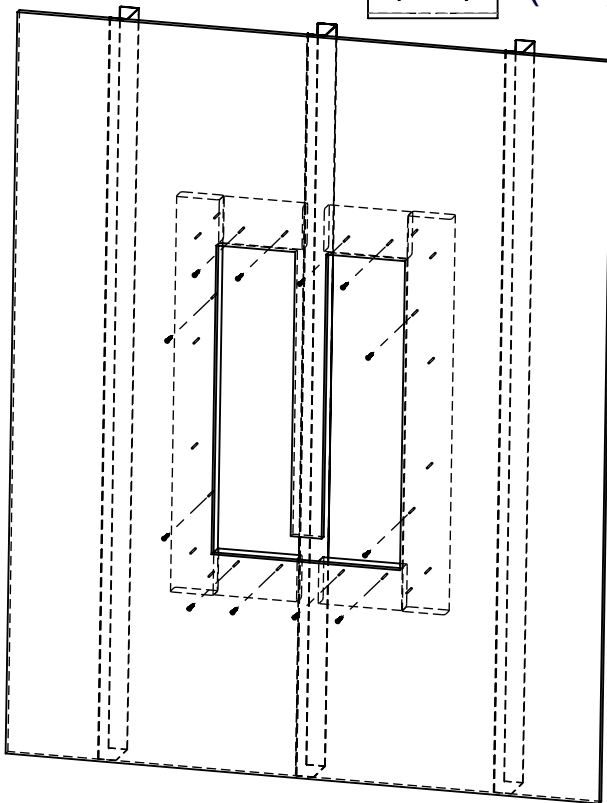
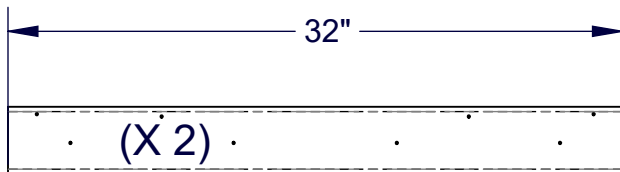
Cut and install wood blocking: Wood 2 x 4 required to make the 6 wood blocking pieces
(Cross-Sectional Dimensions 1.5" x 3.5")

CB1851: 91" total / CB1853: 94" total

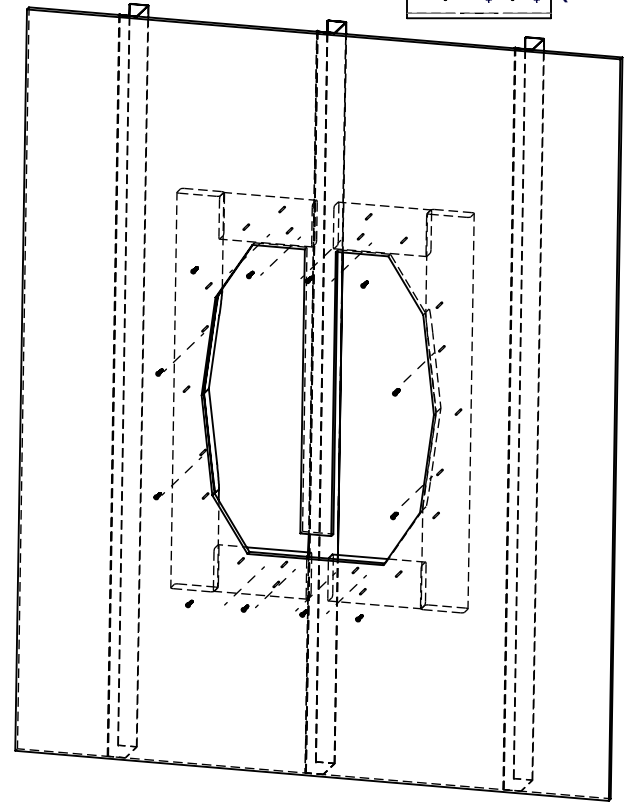
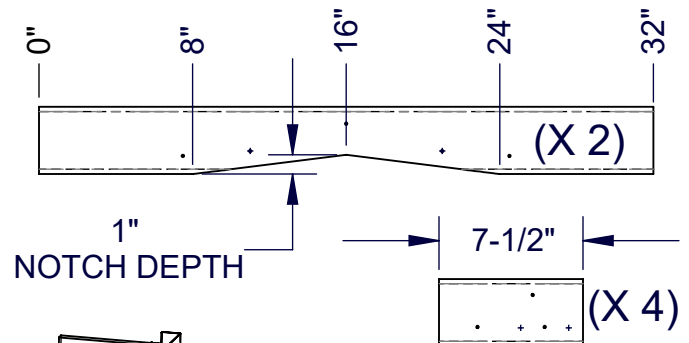
Instructions:

1. See dimensions below to make pieces, can also use cardboard template
2. Start screws in wallboard, 2 for each piece of wood. (Locations marked from the cardboard template.)
3. Insert wood through hole in wall surface and align with edge of cutout
4. Screw wood blocking in place

CB1851 - RECTANGULAR



CB1853 - OVAL



Drawing: 762366XX

Rev: C

Sheet: 6 of 9

Eng: AJM

Date Drawn: 11/14/22

When using electrical equipment, basic safety precautions should always be followed, including the following:

- Read all instructions carefully before installing and save for future use.
- Make sure all connections are in accordance with the National Electrical Code and local regulations.
- To avoid possible electric shock, be sure the power supply is turned off before servicing or installing the fixture.
- Service should be performed by qualified personnel.
- These instructions may not cover all details or variations. If additional information is needed, please contact Visa Lighting.

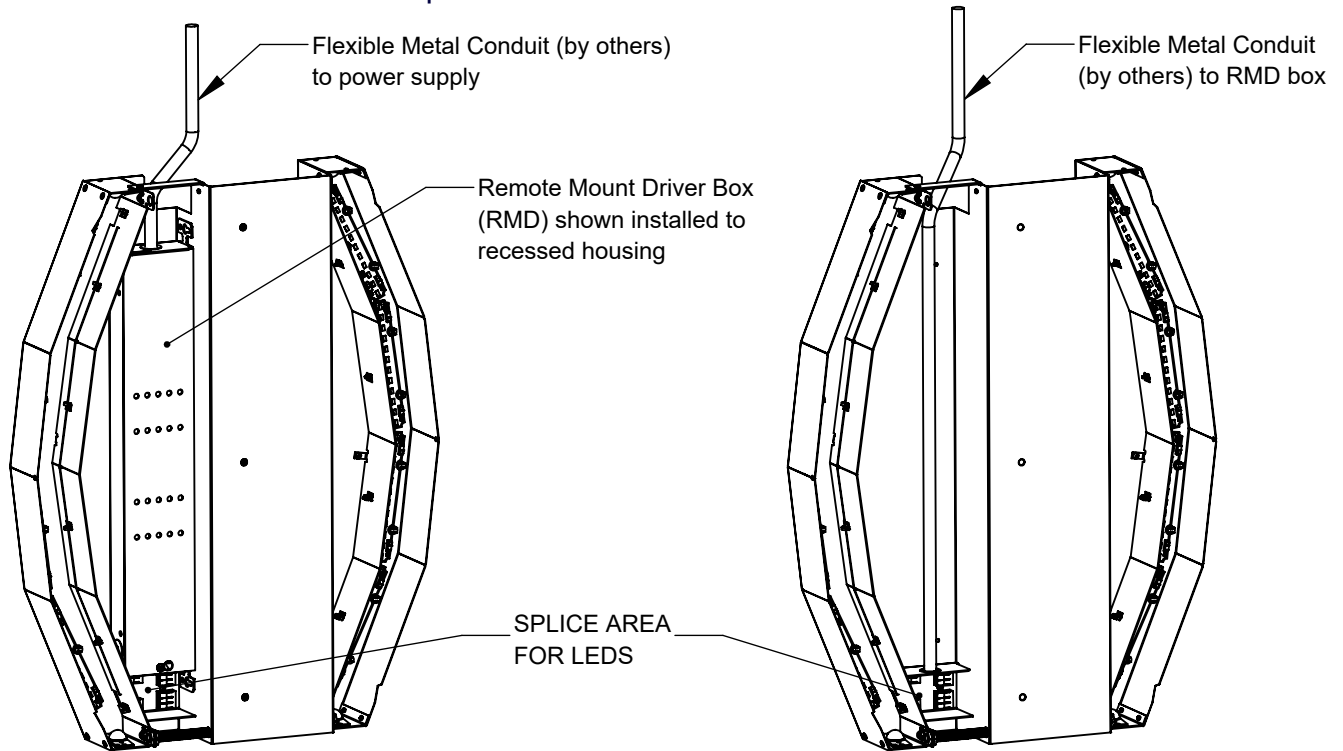
INSTALLATION INSTRUCTIONS

Model: **CB1851, CB1853**
 Fixture Family: **SOLE**
 Document Description: Installation Instructions for
 Sole Series Mirrors

VISA LIGHTING
 AN OLDENBURG GROUP COMPANY
 1717 West Civic Drive Milwaukee, WI 53209
 414-354-6600
 Design Modification Rights Reserved
 © Visa Lighting

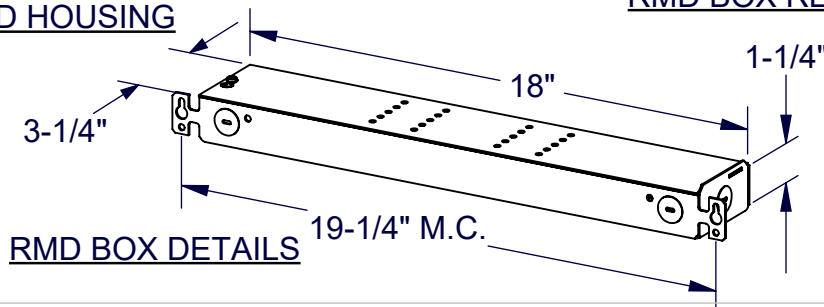
Remote Mounted Driver box (RMD) (Components may vary depending on options ordered)

- It is recommended that the remote driver box is installed in a location that is accessible to service the drivers without disturbing the patient room or mirror.
- For locations that are at low risk or non behavioral health such that it was decided not to use pick-proof caulk around the mirror, the Remote Driver Box may be installed directly to the recessed housing.
- Mount remote box per local and national codes, use fasteners appropriate for the mounting surface (by others).
- Make all wire connections per local and national codes.



RMD BOX INSTALLED TO RECESSED HOUSING

RMD BOX REMOTE MOUNTED



RMD BOX DETAILS

Drawing: 762366XX

Rev: C

Sheet: 7 of 9

Eng: AJM

Date Drawn: 11/14/22

- !** When using electrical equipment, basic safety precautions should always be followed, including the following:
- Read all instructions carefully before installing and save for future use.
 - Make sure all connections are in accordance with the National Electrical Code and local regulations.
 - To avoid possible electric shock, be sure the power supply is turned off before servicing or installing the fixture.
 - Service should be performed by qualified personnel.
 - These instructions may not cover all details or variations. If additional information is needed, please contact Visa Lighting.

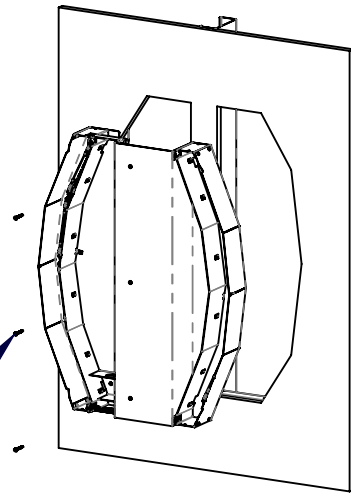
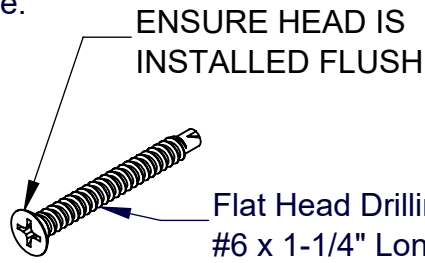
INSTALLATION INSTRUCTIONS

Model: **CB1851, CB1853**
Fixture Family: **SOLE**
Document Description: Installation Instructions for
Sole Series Mirrors

VISA LIGHTING
AN OLDENBURG GROUP COMPANY
1717 West Civic Drive Milwaukee, WI 53209
414-354-6600
Design Modification Rights Reserved
© Visa Lighting 2016

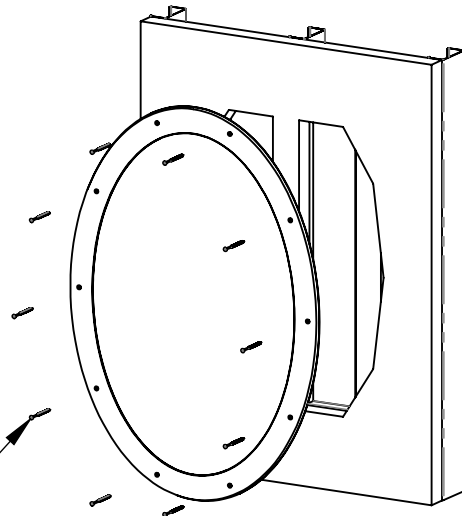
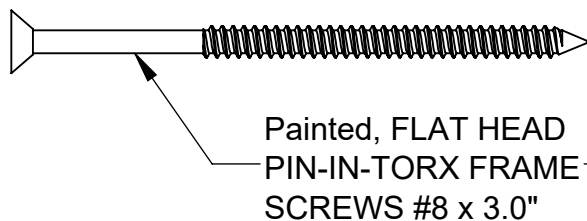
Install LED assembly

1. Attach LED assembly over top of wallboard using the screws provided (x3). Use the hole locations marked from the wall template.



Install lens frame assembly

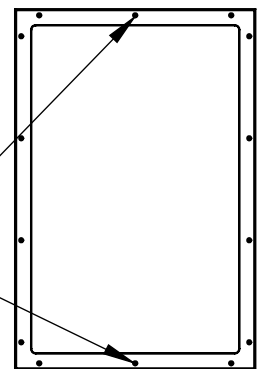
1. Attach using the provided screws. Use the hole locations marked from the wall template. Screws need to secure into the wood blocking. Screws are long enough for wall surfaces from 5/8" to 1-3/4" thick. **See note below for a special circumstance.
2. For areas at a high-risk of ligature, apply pickproof caulk around Frame perimeter at wall surface.



Note: in the special circumstance where:

- Rectangular Mirror Installation
- Wall Surface is only 5/8" thick
- The wall stud is Metal

Use the Painted 1-1/2" long screws that are provided for the (2) center frame locations so that screw threading can engage the metal stud. Re-purpose these or discard otherwise.



Drawing: 762366XX

Rev: C

Sheet: 8 of 9

Eng: AJM

Date Drawn: 11/14/22

When using electrical equipment, basic safety precautions should always be followed, including the following:

- Read all instructions carefully before installing and save for future use.
- Make sure all connections are in accordance with the National Electrical Code and local regulations.
- To avoid possible electric shock, be sure the power supply is turned off before servicing or installing the fixture.
- Service should be performed by qualified personnel.
- These instructions may not cover all details or variations. If additional information is needed, please contact Visa Lighting.

INSTALLATION INSTRUCTIONS

Model: **CB1851, CB1853**
 Fixture Family: **SOLE**
 Document Description: Installation Instructions for
 Sole Series Mirrors

Drawing: 762366XX

Rev: C

Sheet: 9 of 9

Eng: AJM

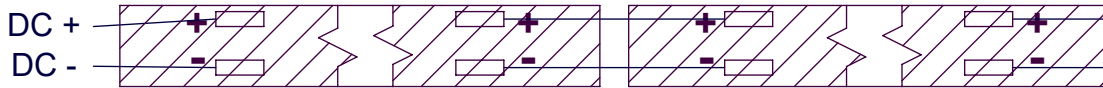
Date Drawn: 11/14/22

Wiring diagram:

1. Bodylight and optional nightlight LED are controlled on separate circuits, only the Bodylight is dimmable via 0-10V dimming
2. Ensure that the LEDs are connected to the correct driver:
 - Bodylight LEDs to driver labeled "DriverA"
 - Optional nightlight LEDs to driver labeled "DriverNGT"

Bodylight

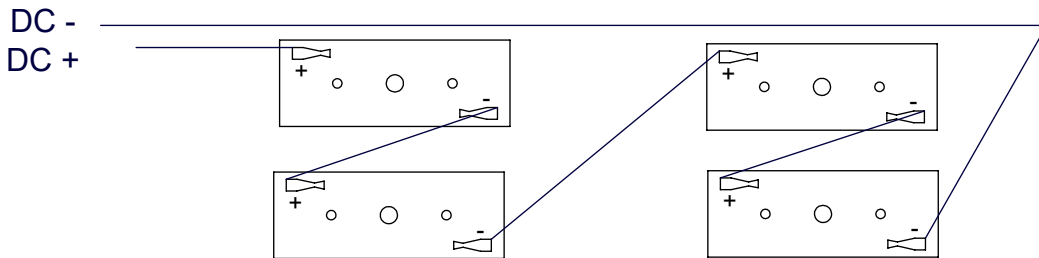
"DriverA"



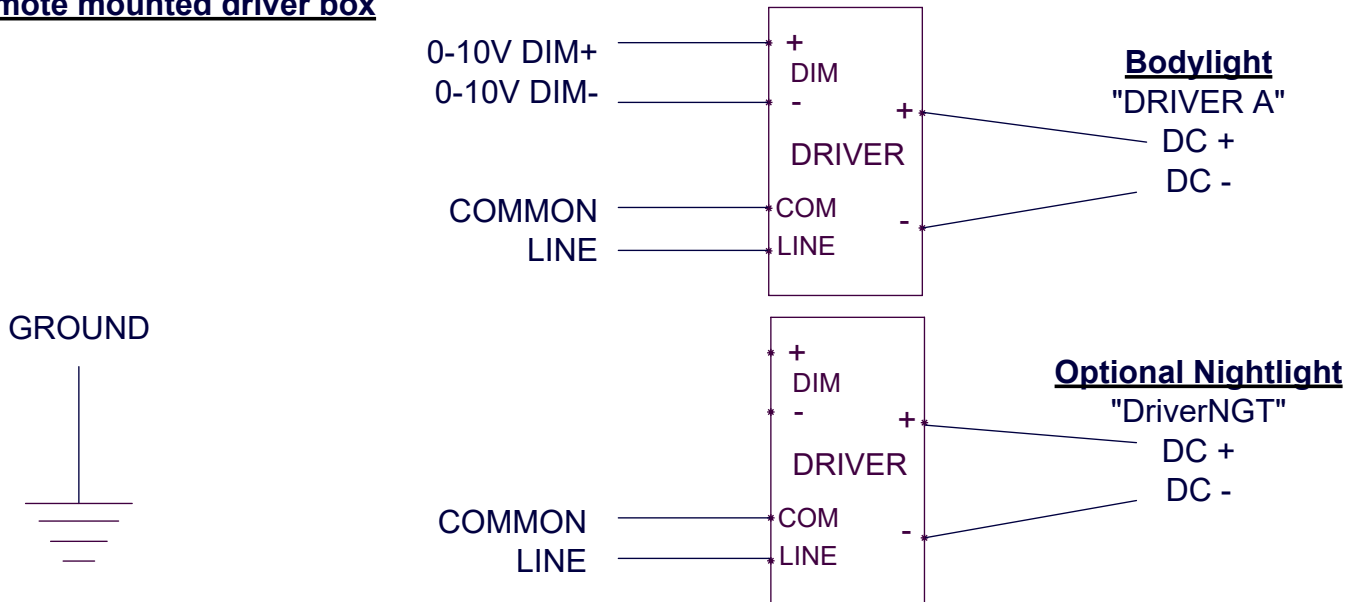
NOTE- MORE
 LEDS MAY BE
 CONNECTED
 DEPENDING ON
 THE SHAPE OF
 MIRROR

Optional Nightlight

"DriverNGT"



Remote mounted driver box



- !** When using electrical equipment, basic safety precautions should always be followed, including the following:
- Read all instructions carefully before installing and save for future use.
 - Make sure all connections are in accordance with the National Electrical Code and local regulations.
 - To avoid possible electric shock, be sure the power supply is turned off before servicing or installing the fixture.
 - Service should be performed by qualified personnel.
 - These instructions may not cover all details or variations. If additional information is needed, please contact Visa Lighting.