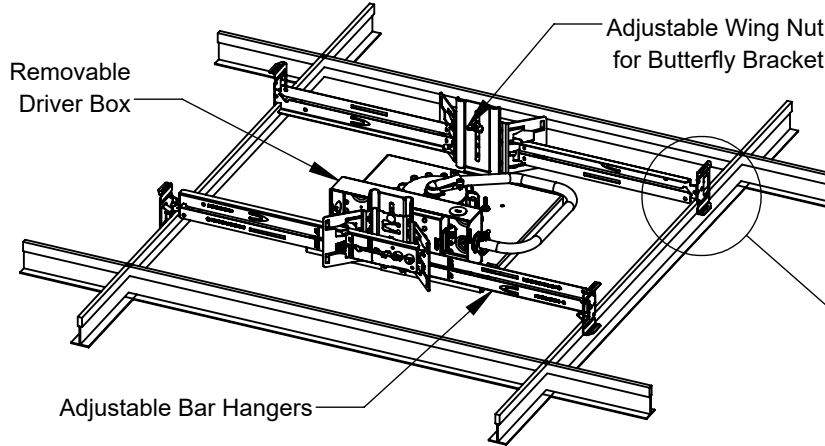


INSTALLATION INSTRUCTIONS

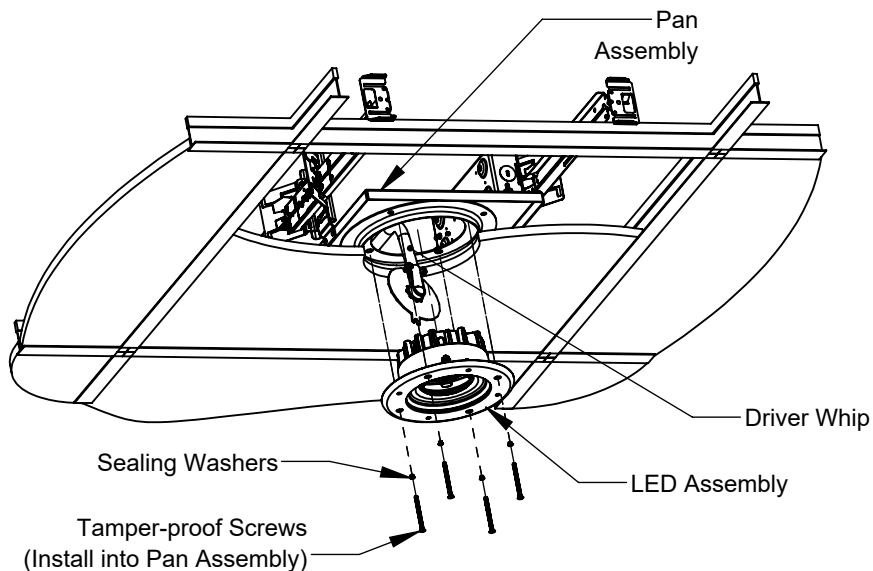
Model: **CM2500**
Fixture Family: **SYMMETRY**
Document Description: Installation Instructions for
Symmetry BH Down Light Luminaires

VISA LIGHTING
AN OLDENBURG GROUP COMPANY
1717 West Civic Drive Milwaukee, WI 53209
414-354-6600
Design Modification Rights Reserved
© Visa Lighting 2016

TYPICAL - GRID CEILING



1. Position unit on grid and adjust so pan contacts the top of the panel when in place. Make sure notches in bar hangers are positioned over T-Bars. (See Detail A)
2. Make all electrical connections.
3. Disconnect LED Assembly from unit.
4. Place grid panel with 6" diameter cutout into position under Pan opening.
5. Reconnect LED Assembly and attach to Pan Assembly using Tamper-proof screws with Sealing Washers attached.
6. Fully tighten screws so unit is flush to mounting surface and no gaps are present.



Drawing: 762386XX

Rev: A

Sheet: 1 of 3

Eng: CGJ

Date Drawn: 11/08/24

When using electrical equipment, basic safety precautions should always be followed, including the following:

- Read all instructions carefully before installing and save for future use.
- Make sure all connections are in accordance with the National Electrical Code and local regulations.
- To avoid possible electric shock, be sure the power supply is turned off before servicing or installing the fixture.
- Service should be performed by qualified personnel.

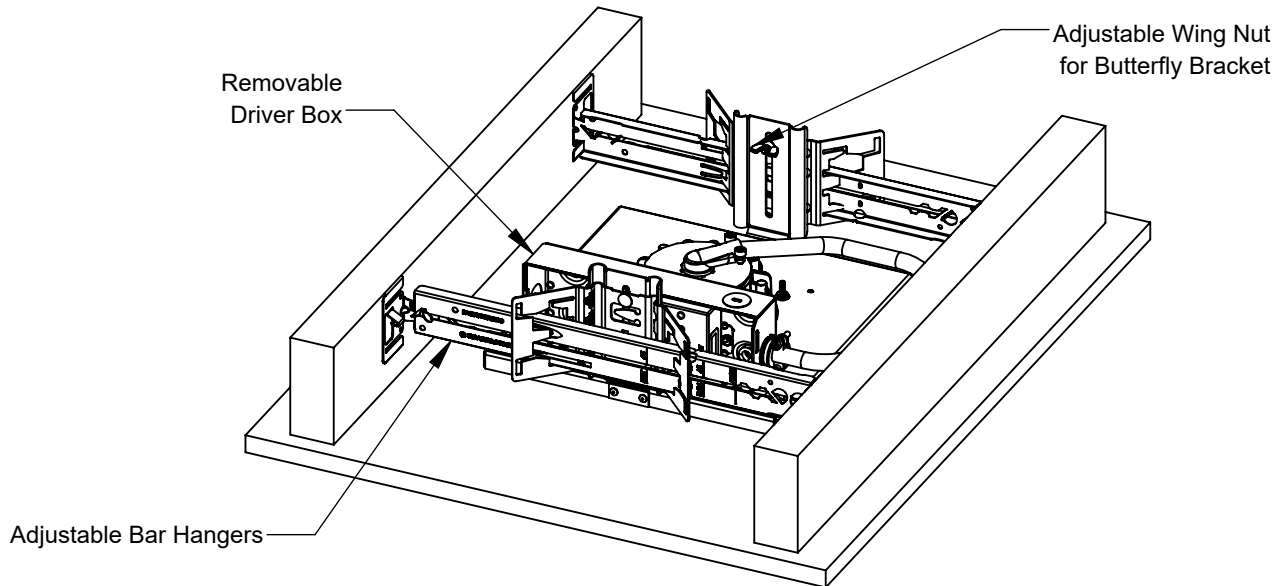
• These instructions may not cover all details or variations. If additional information is needed, please contact Visa Lighting.

INSTALLATION INSTRUCTIONS

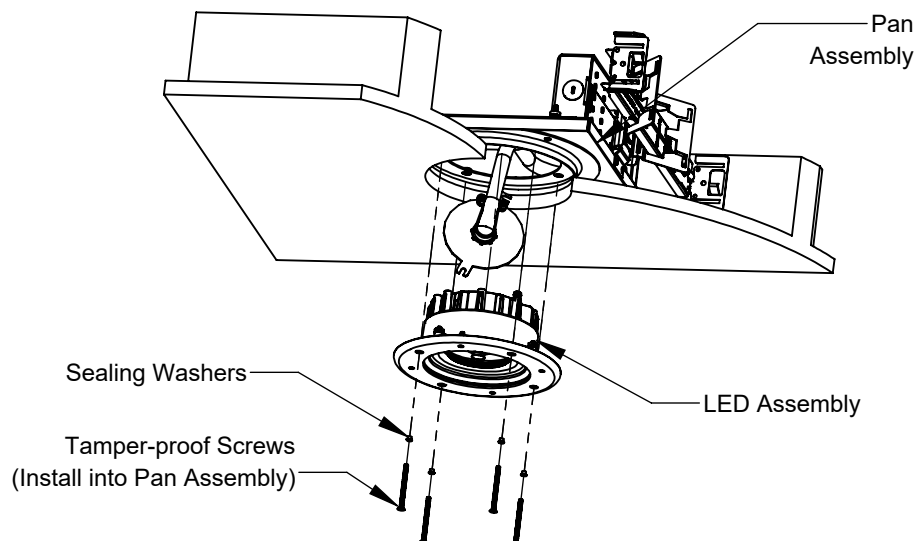
Model: **CM2500**
Fixture Family: **SYMMETRY**
Document Description: Installation Instructions for
Symmetry BH Down Light Luminaires

VISA LIGHTING
AN OLDENBURG GROUP COMPANY
1717 West Civic Drive Milwaukee, WI 53209
414-354-6600
Design Modification Rights Reserved
© Visa Lighting 2016

TYPICAL - SHEET ROCK CEILING



1. Position unit between studs and adjust so pan will contact the top of the sheet rock when in place. Fasten the unit in place using holes in the bar hangers.
2. Make all electrical connections.
3. Disconnect LED Assembly from unit.
4. Place sheet rock panel with 6" diameter cutout into position under Pan opening.
5. Reconnect LED Assembly and attach to Pan Assembly using Tamper-proof screws with Sealing Washers attached.
6. Fully tighten screws so unit is flush to mounting surface and no gaps are present.



When using electrical equipment, basic safety precautions should always be followed, including the following:

- Read all instructions carefully before installing and save for future use.
- Make sure all connections are in accordance with the National Electrical Code and local regulations.
- To avoid possible electric shock, be sure the power supply is turned off before servicing or installing the fixture.
- Service should be performed by qualified personnel.
- These instructions may not cover all details or variations. If additional information is needed, please contact Visa Lighting.

Drawing: 762386XX

Rev: A

Sheet: 2 of 3

Eng: CGJ

Date Drawn: 11/08/24

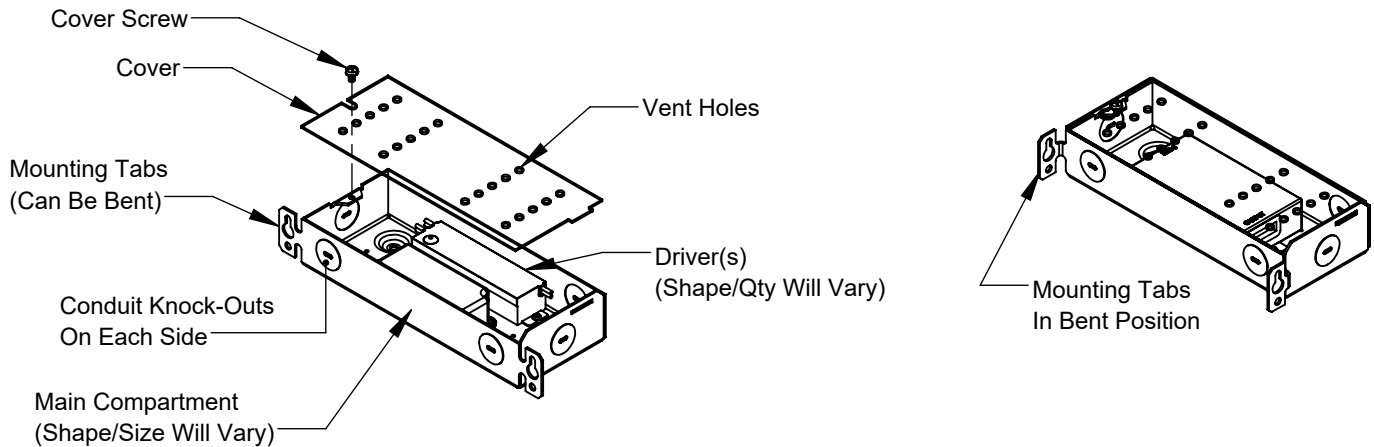
INSTALLATION INSTRUCTIONS

Model: **CM2500**
 Fixture Family: **SYMMETRY**
 Document Description: Installation Instructions for
 Symmetry BH Down Light Luminaires

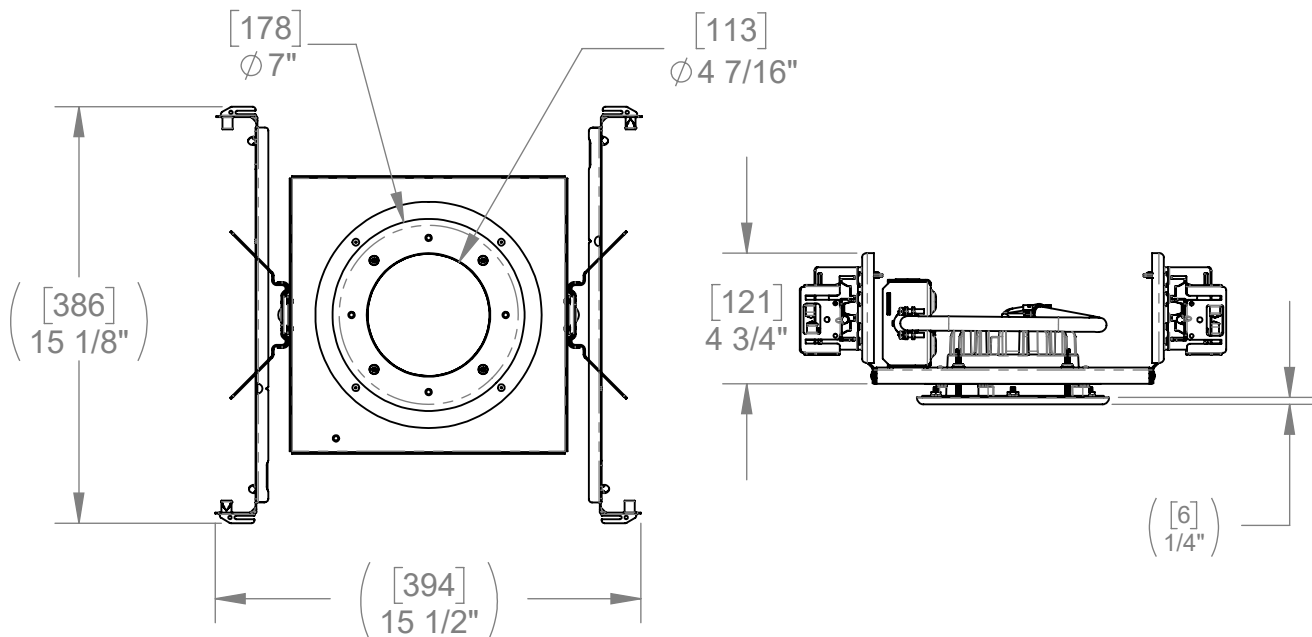
VISA LIGHTING
 AN OLDENBURG GROUP COMPANY
 1717 West Civic Drive Milwaukee, WI 53209
 414-354-6600
 Design Modification Rights Reserved
 © Visa Lighting 2016

REMOTE MOUNTED DRIVER BOX - RMD

1. Remove Cover by removing the Cover Screw.
2. Mount remote box to threaded stud on Pan Assembly or in an accessible area per local & national codes. Use fasteners (by others) appropriate for the mounting surface. NOTE: Mounting Tabs can be bent at 90-degree angle with pliers to attach box to T-Grid, or can be bent as needed for mounting.
3. Make all wire connections per all local & national codes.
4. Re-install Cover with the Cover Screw.



DIMENSIONS



Drawing: 762386XX

Rev: A

Sheet: 3 of 3

Eng: CG2

Date Drawn: 11/08/24

! When using electrical equipment, basic safety precautions should always be followed, including the following:

- Read all instructions carefully before installing and save for future use.
- Make sure all connections are in accordance with the National Electrical Code and local regulations.
- To avoid possible electric shock, be sure the power supply is turned off before servicing or installing the fixture.
- Service should be performed by qualified personnel.
- These instructions may not cover all details or variations. If additional information is needed, please contact Visa Lighting.