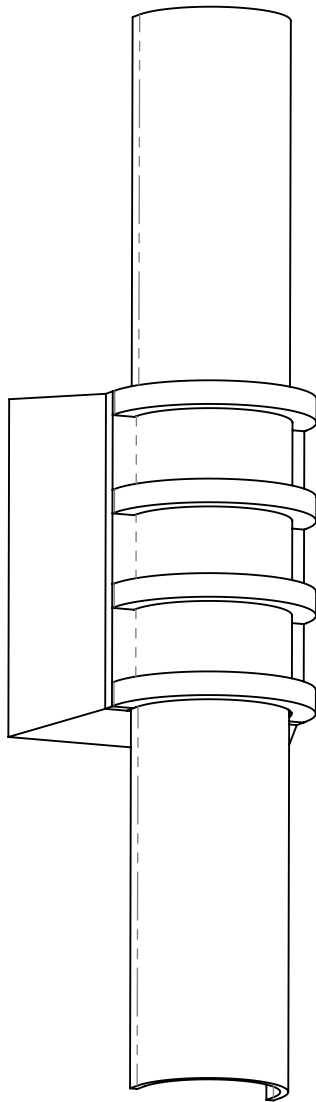


# INSTALLATION INSTRUCTIONS

Model: **CB5110, CB5112, CB5114, CB5116**  
Fixture Family: **MINI COLONNADE**  
Document Description: Installation Instructions for  
MINI COLONNADE Series Luminaires

**VISA LIGHTING**  
AN OLDENBURG GROUP COMPANY  
1717 West Civic Drive Milwaukee, WI 53209  
414-354-6600  
Design Modification Rights Reserved  
© Visa Lighting



## COLONNADE

**CB5110**  
**CB5112**  
**CB5114**  
**CB5116**

\*STYLE MAY VARY

Drawing: 760129XX

Rev: D

Sheet: 1 of 2

Eng: RJP

Date Drawn: 11/25/15

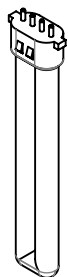
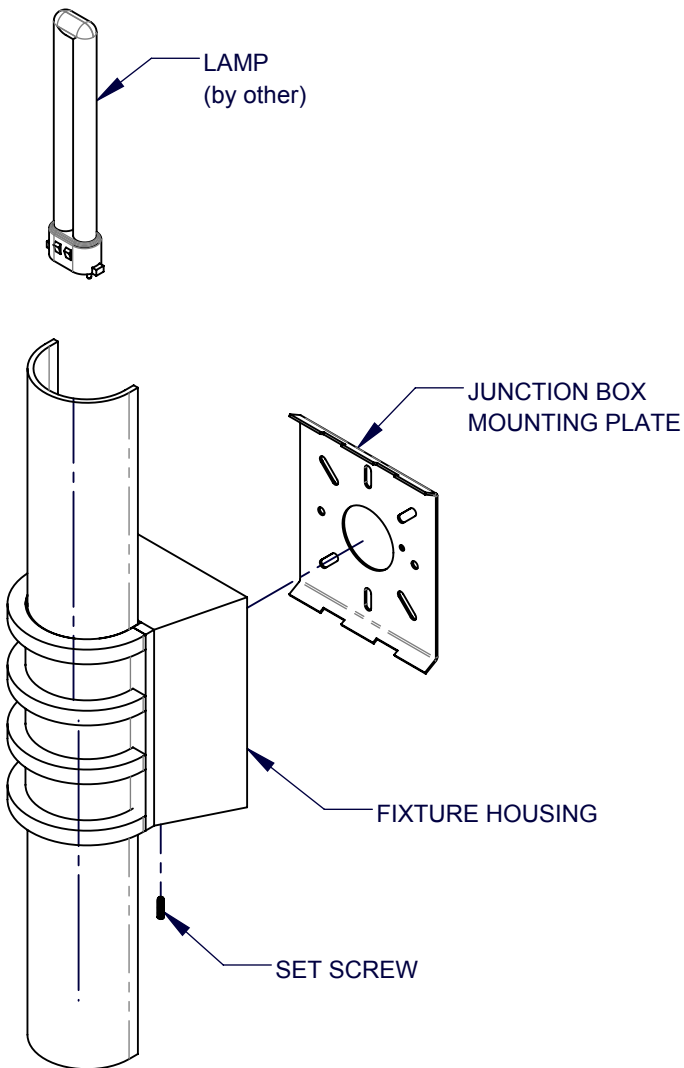
**!** When using electrical equipment, basic safety precautions should always be followed, including the following:

- Read all instructions carefully before installing and save for future use.
- Make sure all connections are in accordance with the National Electrical Code and local regulations.
- To avoid possible electric shock, be sure the power supply is turned off before servicing or installing the fixture.
- Service should be performed by qualified personnel.
- These instructions may not cover all details or variations. If additional information is needed, please contact Visa Lighting.

# INSTALLATION INSTRUCTIONS

Model: **CB5110, CB5112, CB5114, CB5116**  
Fixture Family: **MINI COLONNADE**  
Document Description: Installation Instructions for  
MINI COLONNADE Series Luminaires

**VISA LIGHTING**  
AN OLDENBURG GROUP COMPANY  
1717 West Civic Drive Milwaukee, WI 53209  
414-354-6600  
Design Modification Rights Reserved  
© Visa Lighting



1. Attach the junction box mounting plate to the junction box.
2. Attach the electrical connections per the local and national electrical codes.
3. Attach the fixture to the wall by first engaging the clip located at the top inside of the fixture housing.
4. Secure the housing to the junction box mounting plate with the set screw, located at the bottom of the fixture housing.

\*STYLE MAY VARY

Drawing: 760129XX

Rev: D

Sheet: 2 of 2

Eng: RJP

Date Drawn: 11/25/15

When using electrical equipment, basic safety precautions should always be followed, including the following:

- Read all instructions carefully before installing and save for future use.
- Make sure all connections are in accordance with the National Electrical Code and local regulations.
- To avoid possible electric shock, be sure the power supply is turned off before servicing or installing the fixture.
- Service should be performed by qualified personnel.
- These instructions may not cover all details or variations. If additional information is needed, please contact Visa Lighting.