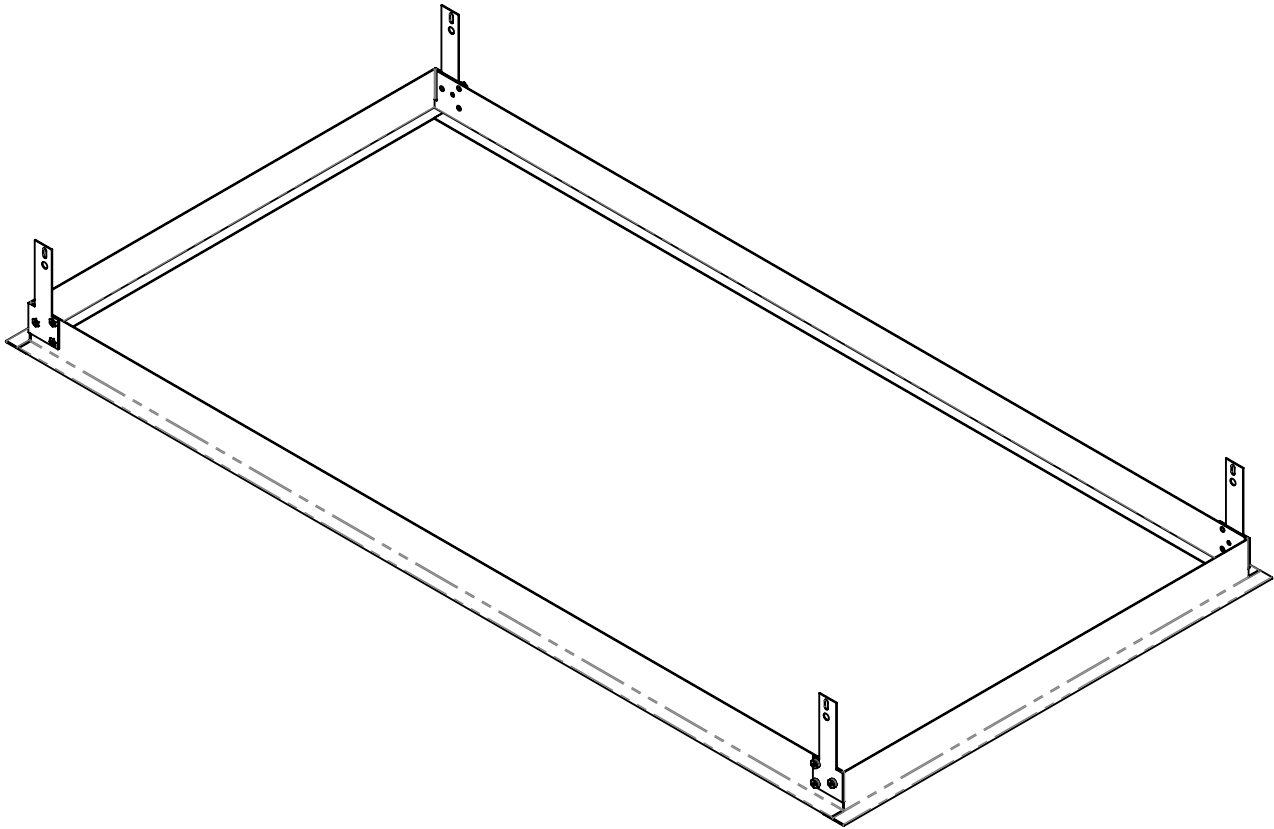


INSTALLATION INSTRUCTIONS

Model: **CM1900, 1901, 1906, 1912**
Fixture Family: **UNITY RECESSED CEILING**
Document Description: Installation Instructions for Drywall Trim Attachment
UNITY Series Luminaires

VISA LIGHTING
AN OLDENBURG GROUP COMPANY
1717 West Civic Drive Milwaukee, WI 53209
414-354-6600
Design Modification Rights Reserved
© Visa Lighting



DRYWALL TRIM ATTACHMENT FOR RECESSED UNITY

CM1900
CM1901
CM1906
CM1912

Drawing: 760863

Rev: B

Sheet: 1 of 3

Eng: PAO

Date Drawn: 9/12/11

When using electrical equipment, basic safety precautions should always be followed, including the following:

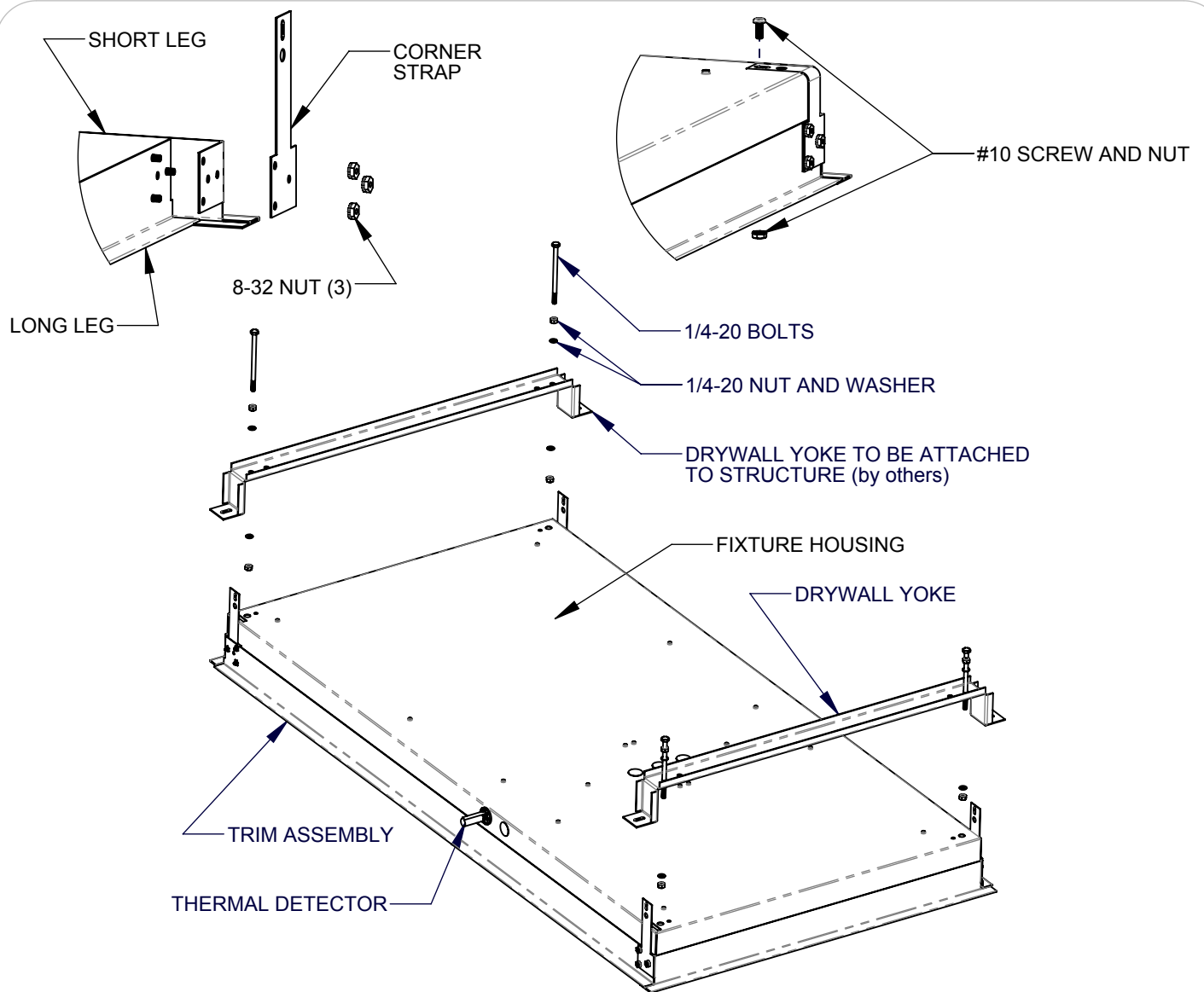
- Read all instructions carefully before installing and save for future use.
- Make sure all connections are in accordance with the National Electrical Code and local regulations.
- To avoid possible electric shock, be sure the power supply is turned off before servicing or installing the fixture.
- Service should be performed by qualified personnel.
- These instructions may not cover all details or variations. If additional information is needed, please contact Visa Lighting.

INSTALLATION INSTRUCTIONS



Model: **CM1900, 1901, 1906, 1912**
Fixture Family: **UNITY RECESSED CEILING**
Document Description: Installation Instructions for Drywall Trim Attachment
UNITY Series Luminaires

1717 West Civic Drive Milwaukee, WI 53209
414-354-6600
Design Modification Rights Reserved
© Visa Lighting



Drawing: 760863

Rev: B

Sheet: 2 of 3

Eng: PAO

Date Drawn: 9/12/11

1. Assemble corners as illustrated in Detail A using (3) 8-32 keps nuts at each corner.
2. Slide fixture housing into frame.
3. Holding frame to housing securely, hand-bend corner strap over top of housing.
4. Secure corner straps with #10 screws and nuts through the slot as shown in Detail B.
5. Attach drywall yokes to structure around opening.
6. Install and adjust 1/2-20 bolts to correct finished length need for flush fixture mounting.
7. Attach fixture to 1/4-20 bolts using washers and nuts.



When using electrical equipment, basic safety precautions should always be followed, including the following:

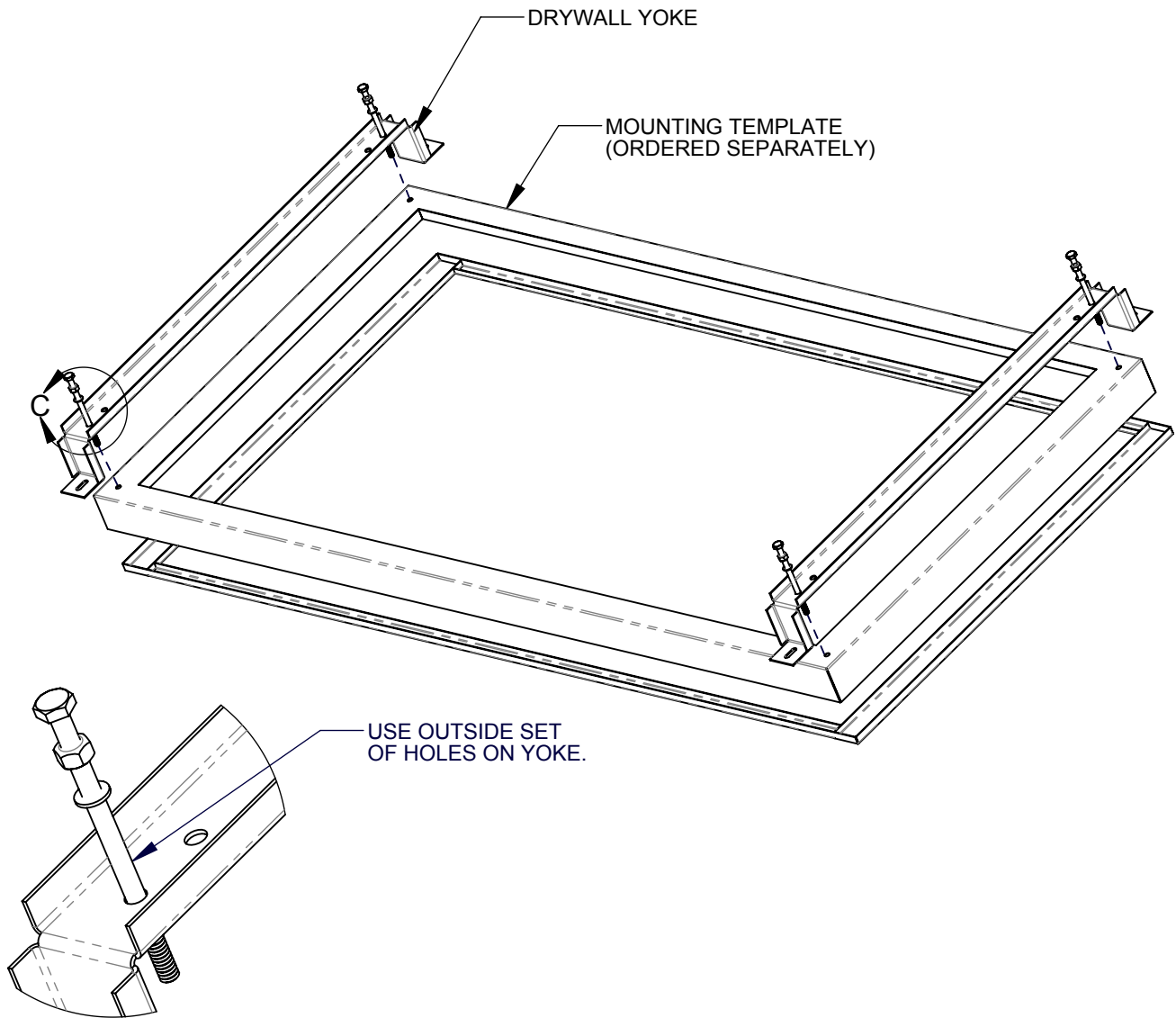
- Read all instructions carefully before installing and save for future use.
- Make sure all connections are in accordance with the National Electrical Code and local regulations.
- To avoid possible electric shock, be sure the power supply is turned off before servicing or installing the fixture.
- Service should be performed by qualified personnel.
- These instructions may not cover all details or variations. If additional information is needed, please contact Visa Lighting.

INSTALLATION INSTRUCTIONS

Model: **CM1900, 1901, 1906, 1912**
Fixture Family: **UNITY RECESSED CEILING**
Document Description: Installation Instructions for Drywall Trim Attachment
UNITY Series Luminaires

1717 West Civic Drive Milwaukee, WI 53209
414-354-6600
Design Modification Rights Reserved
© Visa Lighting

DRYWALL MOUNTING TEMPLATE DETAIL (2 X 4 RECESSED UNIT SHOWN)



1. Attach drywall yokes to structure around opening.
2. Using mounting template to set proper spacing between yokes.
3. Be sure the yokes are parallel and square to each other.

When using electrical equipment, basic safety precautions should always be followed, including the following:

- Read all instructions carefully before installing and save for future use.
- Make sure all connections are in accordance with the National Electrical Code and local regulations.
- To avoid possible electric shock, be sure the power supply is turned off before servicing or installing the fixture.
- Service should be performed by qualified personnel.
- These instructions may not cover all details or variations. If additional information is needed, please contact Visa Lighting.