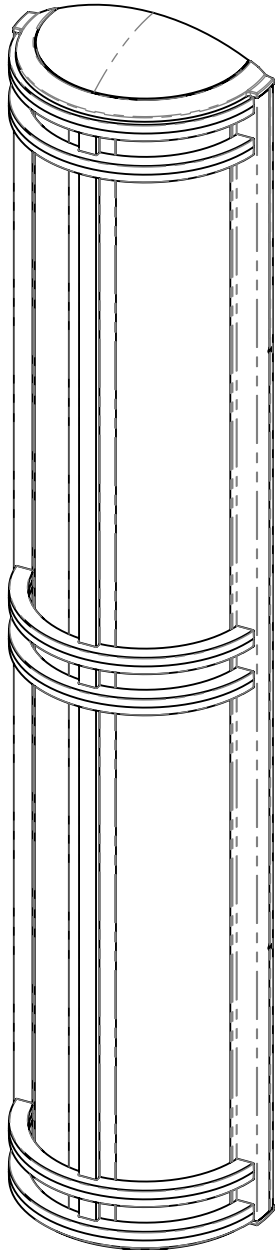


INSTALLATION INSTRUCTIONS



Model: **CV1901-2031**
Fixture Family: **AVATAR and IMAGE**
Document Description: Installation Instructions for
AVATAR and IMAGE Series Luminaires

1717 West Civic Drive Milwaukee, WI 53209
414-354-6600
Design Modification Rights Reserved
© Visa Lighting



IMAGE

CV1900 CV1901 CV1902
CV1903 CV1904 CV1905
CV1906 CV1907

AVATAR

CV2009 CV2011 CV2013
CV2015 CV2025 CV2027
CV2029 CV2031

SHEET 2: VERTICAL INSTALLATION

SHEET 3: HORIZONTAL INSTALLATION

Drawing: 760882XX

Rev: B

Sheet: 1 of 4

Eng: CGA

Date Drawn: 11/8/16

- !** When using electrical equipment, basic safety precautions should always be followed, including the following:
- Read all instructions carefully before installing and save for future use.
 - Make sure all connections are in accordance with the National Electrical Code and local regulations.
 - To avoid possible electric shock, be sure the power supply is turned off before servicing or installing the fixture.
 - Service should be performed by qualified personnel.
 - These instructions may not cover all details or variations. If additional information is needed, please contact Visa Lighting.

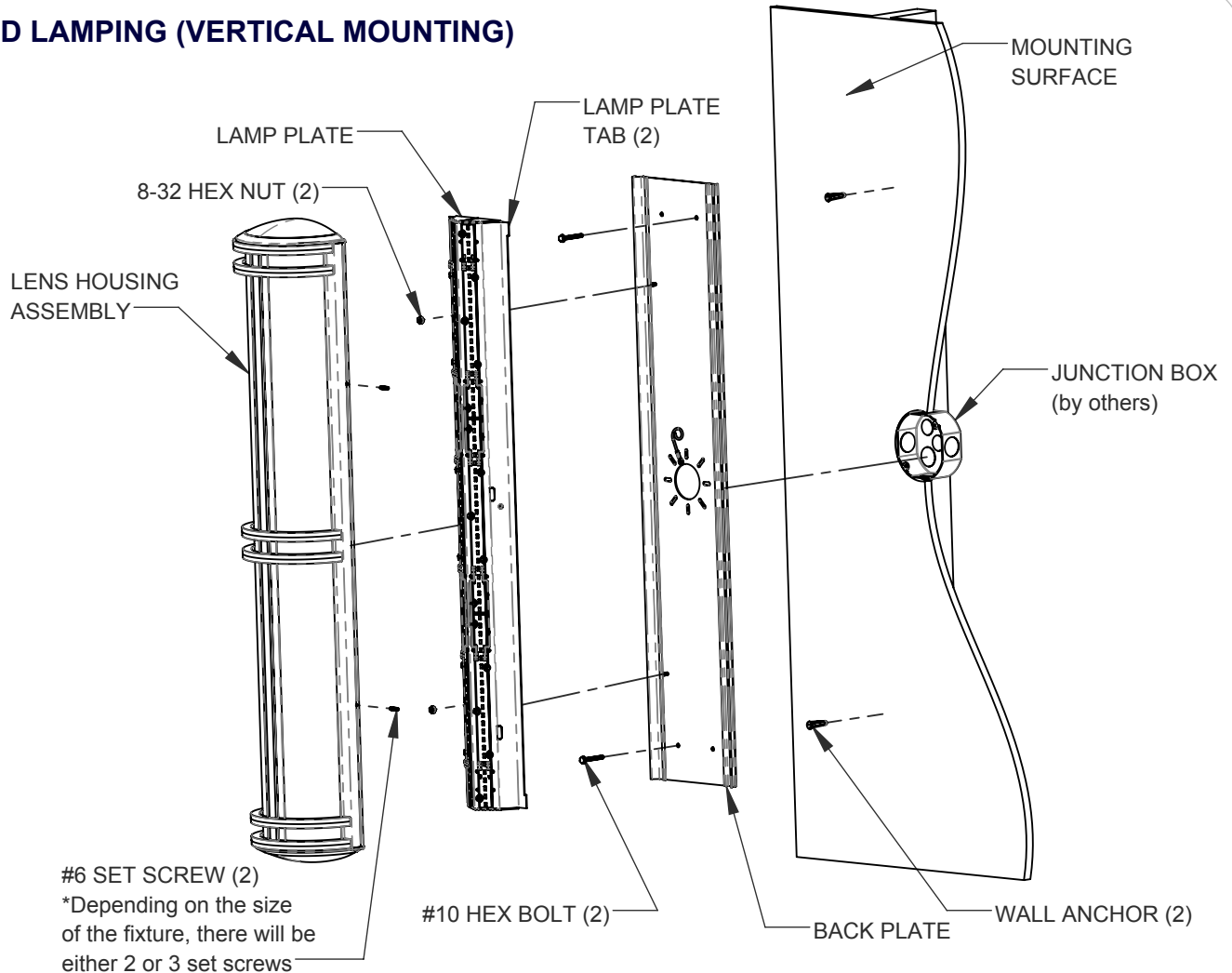
INSTALLATION INSTRUCTIONS



Model: **CV1901-2031**
Fixture Family: **AVATAR and IMAGE**
Document Description: Installation Instructions for
AVATAR and IMAGE Series Luminaires

1717 West Civic Drive Milwaukee, WI 53209
414-354-6600
Design Modification Rights Reserved
© Visa Lighting

LED LAMPING (VERTICAL MOUNTING)



1. Open the fixture by loosening the set screws on the latch side of the housing. Remove the back plate for the housing.
2. Remove the mounting clamp nuts, mounting clamps, and lamping from the backplate.
3. Mark the locations for the wall anchors. Attach the back plate to the junction box. Use the back plate for a template to mark and drill the holes. NOTE: 18" models do not use wall anchors.
4. Drill (2) 5/16" holes at the marked locations and install the wall anchors.
5. Attach the back plate to the junction box with the j-box screws provided. Before tightening, level the back plate then attach with the (2) #10 hex nut bolts where the wall hangers were installed.
6. Make all wire connections according to state and local code.
7. Re-attach lamp plate to the back plate. Be sure to insert the side with the (2) tabs first. Attach plate with 8-32 nuts making sure not to pinch any wires.
8. Hook the housing hinge side (opposite of the side with the set screws) on the the hinge side of the back plate. Do not force the housing to close during this process. Doing so could cause damage to the fixture.
9. Once housing is on, push down on housing and tighten set screws. Ensure that the 'TOP' arrow is pointing up on the housing.
10. Refer to page 4 for reference to steps 8 and 9.

When using electrical equipment, basic safety precautions should always be followed, including the following:

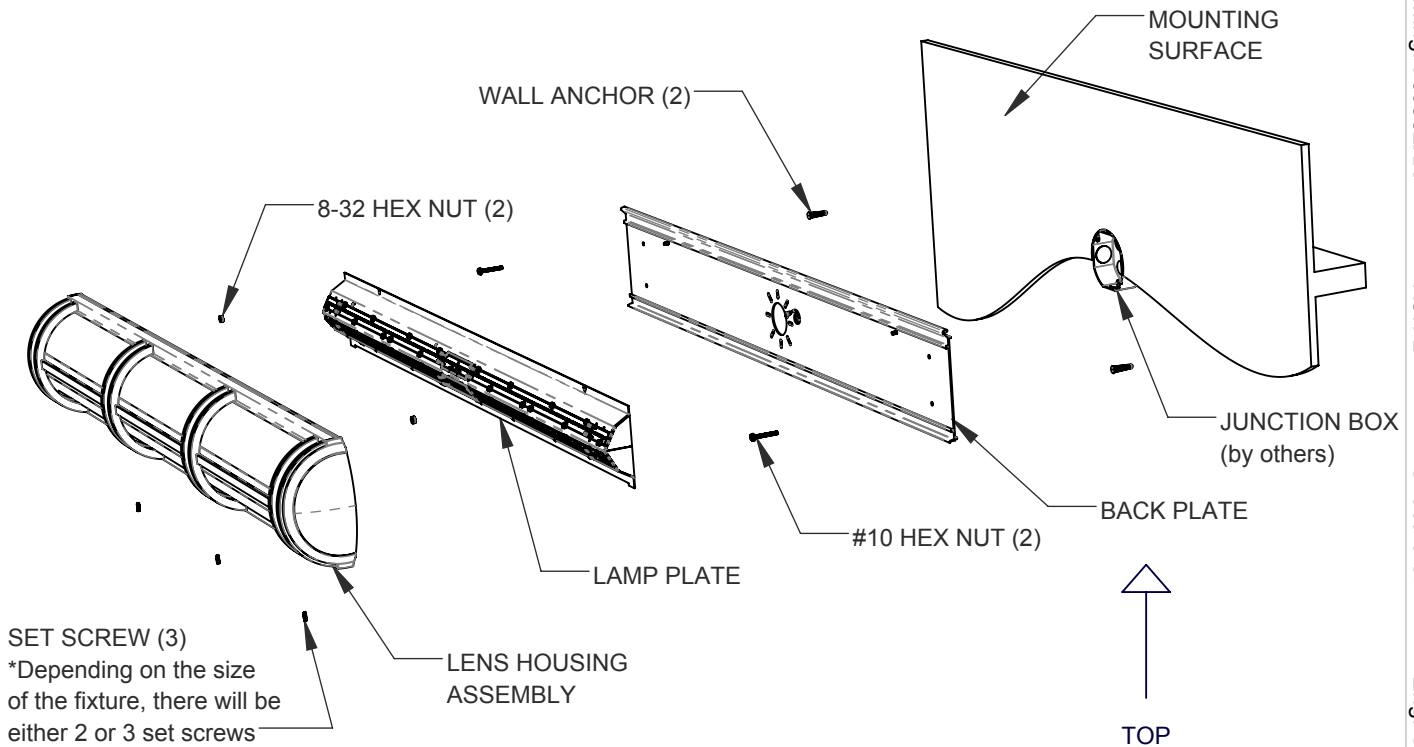
- Read all instructions carefully before installing and save for future use.
- Make sure all connections are in accordance with the National Electrical Code and local regulations.
- To avoid possible electric shock, be sure the power supply is turned off before servicing or installing the fixture.
- Service should be performed by qualified personnel.
- These instructions may not cover all details or variations. If additional information is needed, please contact Visa Lighting.

INSTALLATION INSTRUCTIONS

Model: **CV1901-2031**
Fixture Family: **AVATAR and IMAGE**
Document Description: Installation Instructions for
AVATAR and IMAGE Series Luminaires

VISALIGHTING
AN OLDENBURG GROUP COMPANY
1717 West Civic Drive Milwaukee, WI 53209
414-354-6600
Design Modification Rights Reserved
© Visa Lighting

LED LAMPING (HORIZONTAL MOUNTING)



1. Open the fixture by loosening the set screws on the latch side of the housing. Remove the back plate for the housing.
2. Remove the mounting clamp nuts, mounting clamps, and lamping from the backplate.
3. Mark the locations for the wall anchors. Attach the back plate to the junction box. Use the back plate for a template to mark and drill the holes. NOTE: 18" models do not use wall anchors.
4. Drill (2) 5/16" holes at the marked locations and install the wall anchors.
5. Attach the back plate to the junction box with the j-box screws provided. Before tightening, level the back plate then attach with the (2) #10 hex nut bolts where the wall hangers were installed.
6. Make all wire connections according to state and local code.
7. Re-attach lamp plate to the back plate. Be sure to insert the side with the (2) tabs first. Attach plate with 8-32 nuts making sure not to pinch any wires.
8. Hook the housing hinge side (opposite of the side with the set screws) on the the hinge side of the back plate. Do not force the housing to close during this process. Doing so could cause damage to the fixture.
9. Once housing is on, push down on housing and tighten set screws. Ensure that the 'TOP' arrow is pointing up on the housing.
10. Refer to page 4 for reference to steps 8 and 9.

When using electrical equipment, basic safety precautions should always be followed, including the following:

- Read all instructions carefully before installing and save for future use.
- Make sure all connections are in accordance with the National Electrical Code and local regulations.
- To avoid possible electric shock, be sure the power supply is turned off before servicing or installing the fixture.
- Service should be performed by qualified personnel.
- These instructions may not cover all details or variations. If additional information is needed, please contact Visa Lighting.

Drawing: 760882XX

Rev: B

Sheet: 3 of 4

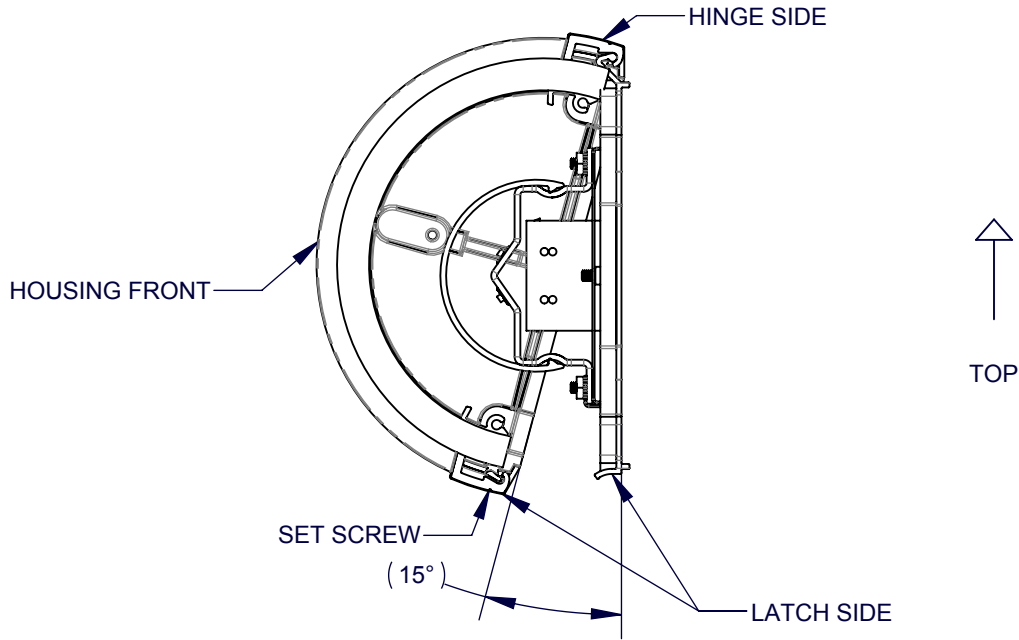
Eng: CGA

Date Drawn: 11/8/16

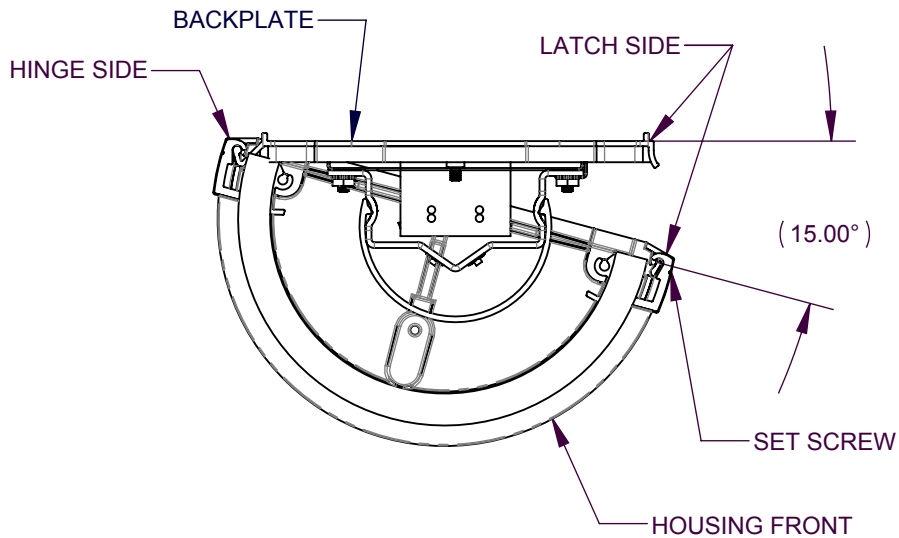
INSTALLATION INSTRUCTIONS

Model: **CV1901-2031**
Fixture Family: **AVATAR and IMAGE**
Document Description: Installation Instructions for
AVATAR and IMAGE Series Luminaires

VISA LIGHTING
AN OLDENBURG GROUP COMPANY
1717 West Civic Drive Milwaukee, WI 53209
414-354-6600
Design Modification Rights Reserved
© Visa Lighting



HORIZONTAL MOUNTING



VERTICAL MOUNTING

*VIEW IS LOOKING DOWN FROM THE TOP

Drawing: 760882XX

Rev: B

Sheet: 4 of 4

Eng: CGA

Date Drawn: 11/8/16

When using electrical equipment, basic safety precautions should always be followed, including the following:

- Read all instructions carefully before installing and save for future use.
- Make sure all connections are in accordance with the National Electrical Code and local regulations.
- To avoid possible electric shock, be sure the power supply is turned off before servicing or installing the fixture.
- Service should be performed by qualified personnel.
- These instructions may not cover all details or variations. If additional information is needed, please contact Visa Lighting.