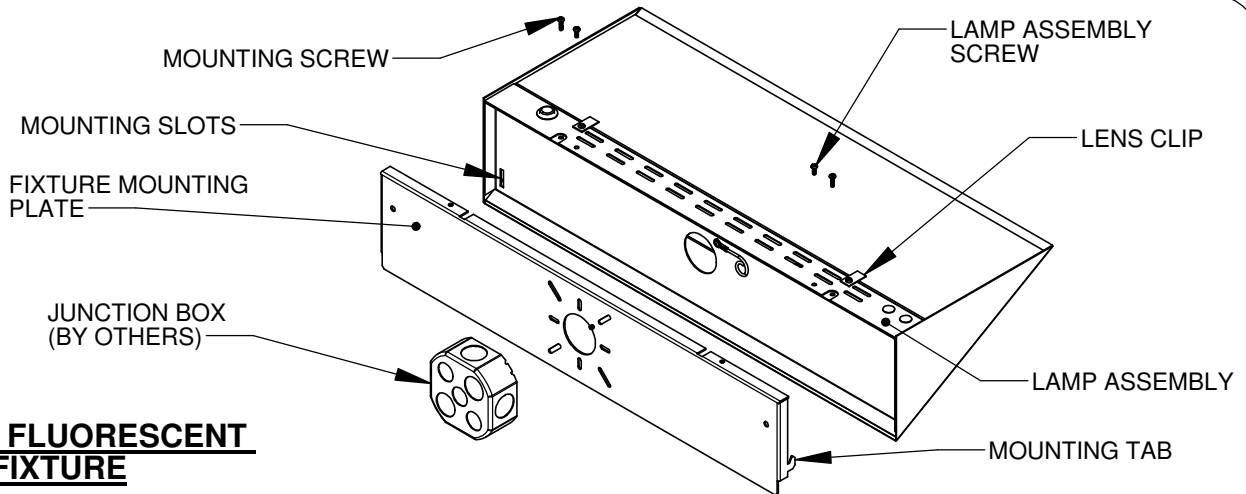


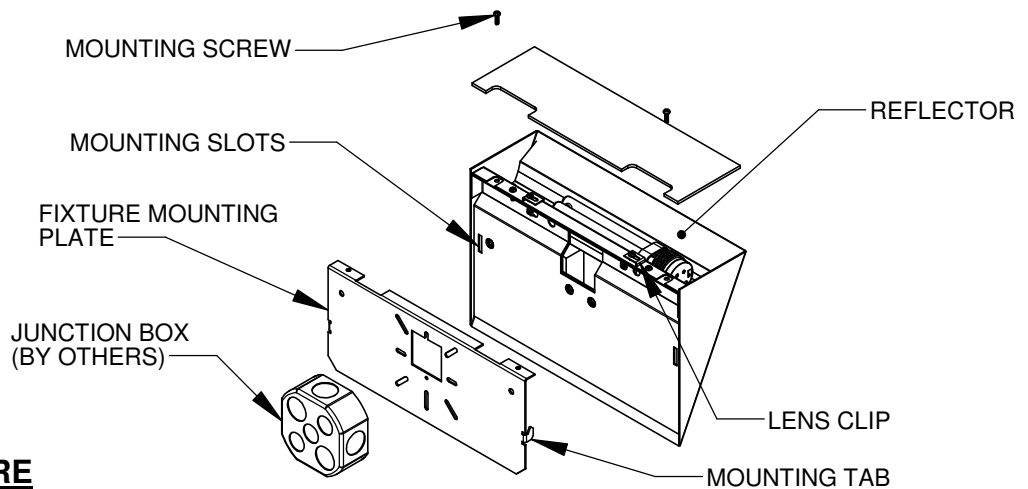
INSTALLATION INSTRUCTIONS

Model: **CORONA**
Fixture Family: **CORONA SERIES**
Document Description: Installation Instructions for
CORONA Series Luminaires



TYPICAL FLUORESCENT FIXTURE

1. Attach fixture mounting plate to octagonal junction box with J-box screws, level plate and secure to wall through auxiliary mounting holes. Structural blocking required on fixtures 3 feet and longer.
2. On fixtures shorter than 2 feet, first make all wire connections in accordance with all national and local codes and push into junction box before attaching housing to mounting plate. Align slots in back of fixture with tabs on mounting plate and hook onto mounting plate, align holes in top of fixture with holes in top of mounting plate and secure with screws provided.
3. On fixtures 2 feet and longer, align slots in back of fixture with tabs on mounting plate and hook onto mounting plate, align holes in top of fixture with holes in top of mounting plate and secure with screws provided. Loosen lamp assembly by removing lamp assembly screws, make all wire connections in accordance with all national and local codes and push into junction box.
4. Replace lamp assembly and tighten screws.
5. Remove lens by loosening lens screws and moving clip, install proper lamps per the relamp label and replace lens.



TYPICAL ADA FLUORESCENT FIXTURE

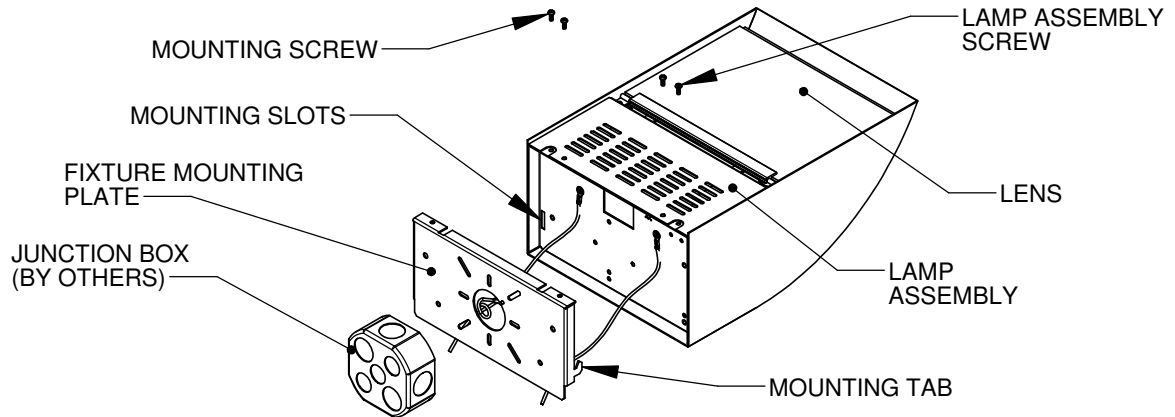
1. Attach fixture mounting plate to octagonal junction box with J-box screws, level plate and secure to wall through auxiliary mounting holes. Structural blocking required on fixtures 3 feet and longer.
2. Align slots in back of fixture with tabs on mounting plate and hook onto mounting plate, align holes in top of fixture with holes in top of mounting plate and secure with screws provided.
3. Remove lens by loosening lens screws and moving clip, remove reflector by loosening screws. Make all wire connections in accordance with all national and local codes and push into junction box.
4. Replace reflector and tighten screws, install proper lamps per the relamp label and replace lens.

When using electrical equipment, basic safety precautions should always be followed, including the following:

- Read all instructions carefully installing and save for future use.
- Make sure all connections are in accordance with the National Electrical Code and local regulations.
- To avoid possible electric shock, be sure the power supply is turned off before servicing or installing the fixture.
- Service should be performed by qualified personnel.
- These instructions may not cover all details or variations. If additional information is needed, please contact Visa Lighting.

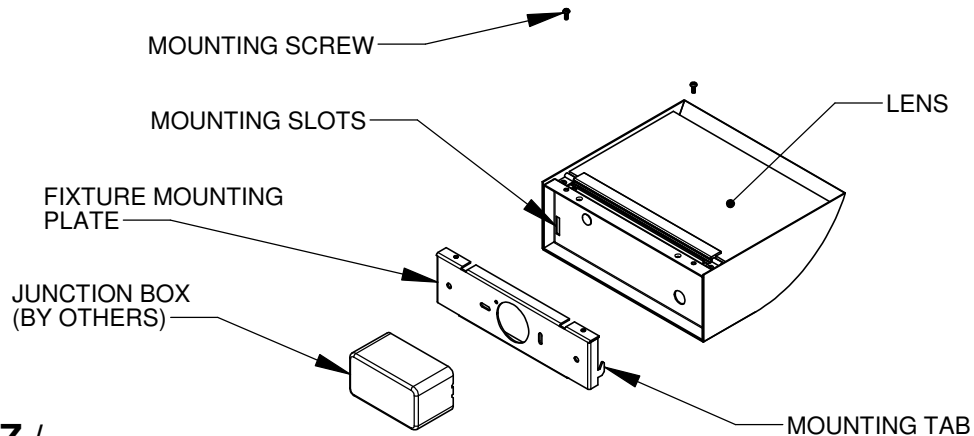
INSTALLATION INSTRUCTIONS

Model: **CORONA**
Fixture Family: **CORONA SERIES**
Document Description: Installation Instructions for
CORONA Series Luminaires



INTEGRAL HID FIXTURE

1. Attach fixture mounting plate to octagonal junction box with J-box screws, level plate and secure to wall through auxiliary mounting holes. Structural blocking required.
2. Attach safety cables to mounting plate with hardware provide.
3. Align slots in back of fixture with tabs on mounting plate and hook onto mounting plate, align holes in top of fixture with holes in top of mounting plate and secure with screws provided.
4. Loosen lamp assembly by removing lamp assembly screws, make all wire connections in accordance with all national and local codes.
5. Replace lamp assembly and tighten screws.
6. Raise lens by lifting in front, install proper lamps per the relamp label and lower lens.



TYPICAL QUARTZ / REMOTE HID FIXTURE

1. Attach fixture mounting plate to 2 x 4 junction box (mounted horizontally) with J-box screws, level plate and secure to wall through auxiliary mounting holes.
2. Make all wire connections in accordance with all national and local codes and push into junction box before attaching housing to mounting plate. Align slots in back of fixture with tabs on mounting plate and hook onto mounting plate, align holes in top of fixture with holes in top of mounting plate and secure with screws provided.
3. Raise lens by lifting in front, install proper lamps per the relamp label and lower lens.

When using electrical equipment, basic safety precautions should always be followed, including the following:

- Read all instructions carefully installing and save for future use.
- Make sure all connections are in accordance with the National Electrical Code and local regulations.
- To avoid possible electric shock, be sure the power supply is turned off before servicing or installing the fixture.
- Service should be performed by qualified personnel.
- These instructions may not cover all details or variations. If additional information is needed, please contact Visa Lighting.