

INSTALLATION INSTRUCTIONS

Model: **CB5518, CB5519, CB5520, CB5521, CB5522, CB5523**
 Fixture Family: **POSH**
 Document Description: Installation Instructions for
 Posh Series Luminaires

1717 West Civic Drive Milwaukee, WI 53209
 414-354-6600
 Design Modification Rights Reserved
 © Visa Lighting

Drawing: 760963XX

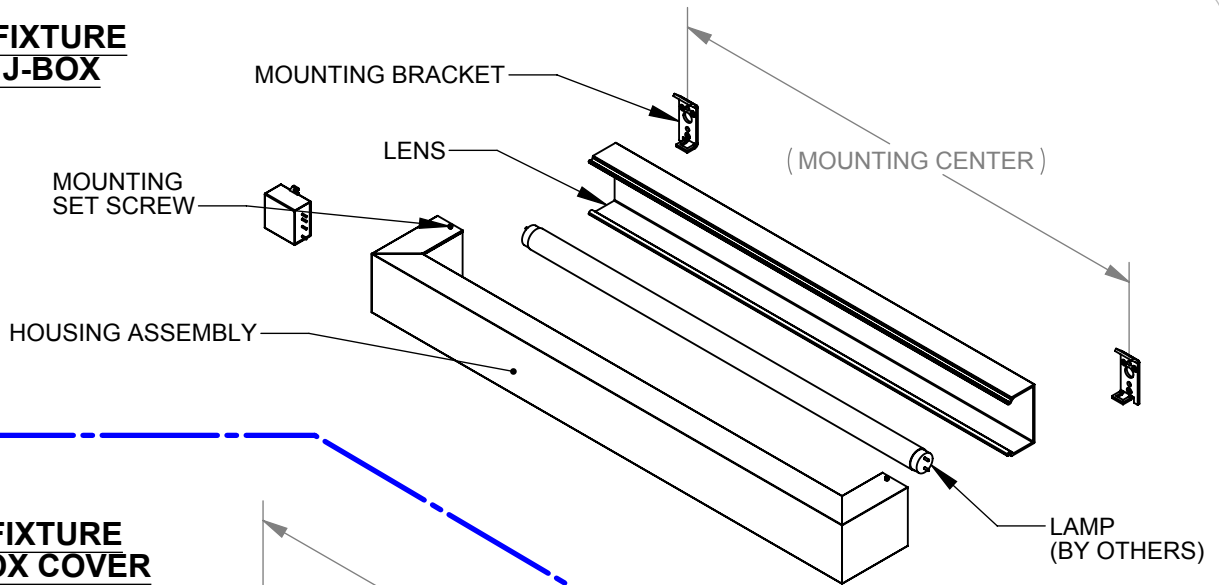
Rev: A

Sheet: 1 of 1

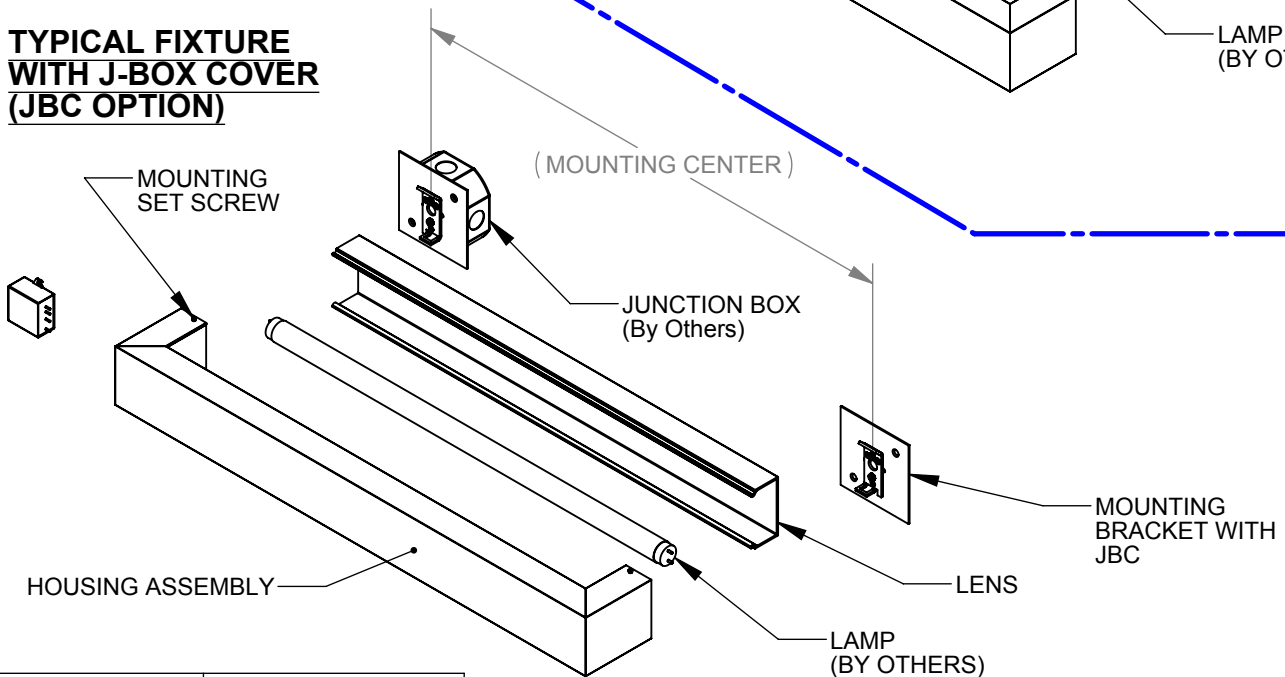
Eng: MAR

Date Drawn: 1/4/13

TYPICAL FIXTURE WITHOUT J-BOX



TYPICAL FIXTURE WITH J-BOX COVER (JBC OPTION)



FIXTURE NUMBER	MOUNTING CENTER
CB5518 / CB5519	26 1/32"
CB5520 / CB5521	38 1/32"
CB5522 / CB5523	50 1/32"

1. Secure mounting brackets to wall or junction box (JBC option) at mounting center locations shown on table with hardware (by others). The mounting may be different than what is shown above depending on which fixture / option is ordered.
2. Make wire connections. If mounted directly to the wall, connections should be made in the fixture ends otherwise make connections in the junction box (JBC option).
3. Slide fixture over mounting plates and tighten mounting set screws.
4. Install lamp.
5. Install lens by aligning with housing assembly and snapping into place.
 Note: Lens installs from one side only on T8 IEM fixture (CB5522 and CB5523)



When using electrical equipment, basic safety precautions should always be followed, including the following:

- Read all instructions carefully before installing and save for future use.
- Make sure all connections are in accordance with the National Electrical Code and local regulations.
- To avoid possible electric shock, be sure the power supply is turned off before servicing or installing the fixture
- Service should be performed by qualified personnel.
- These instructions may not cover all details or variations. If additional information is needed, please contact Visa Lighting.