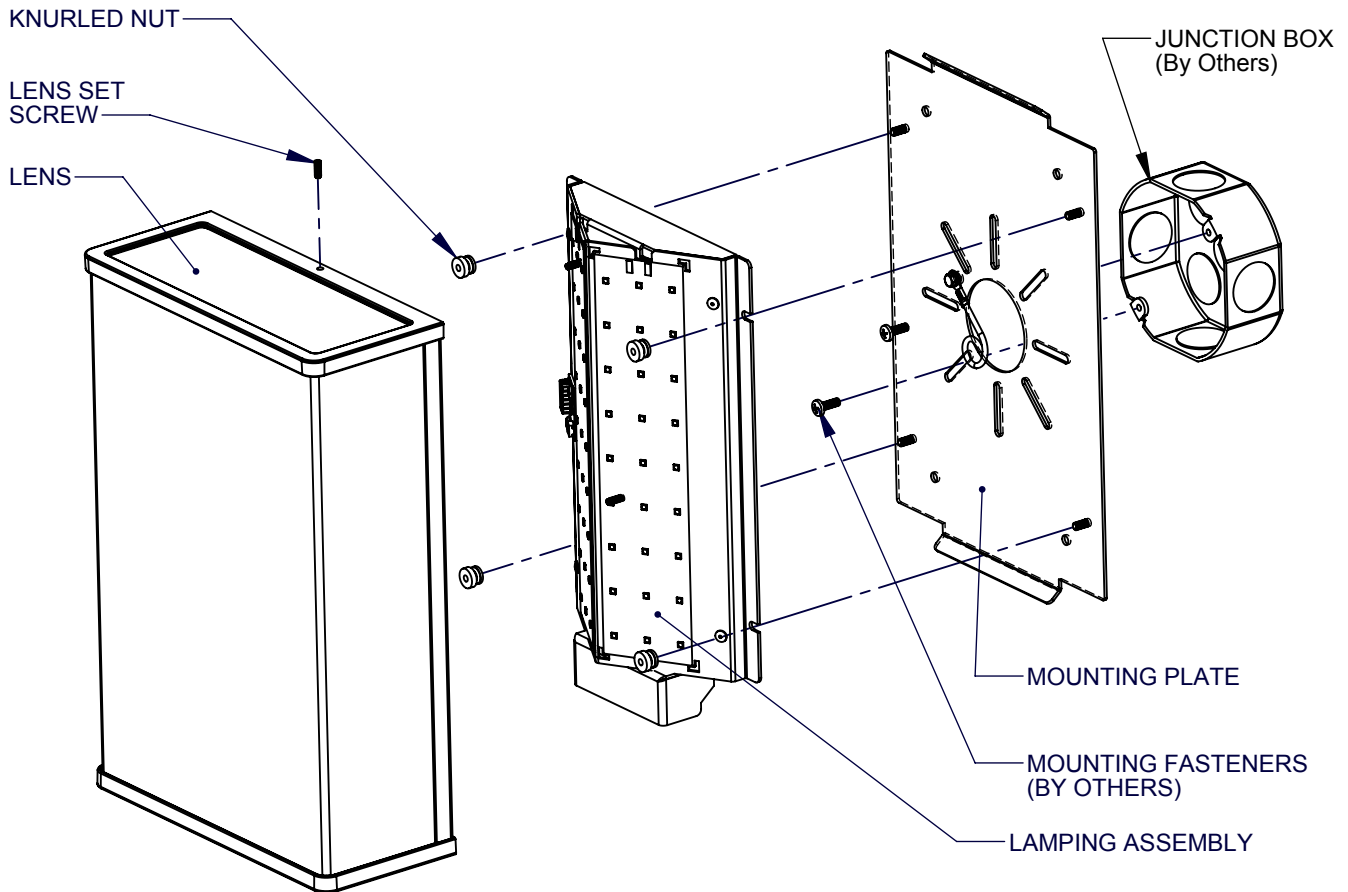


INSTALLATION INSTRUCTIONS

Model: **CB1930**
Fixture Family: **SERENITY WALL SCONCE**
Document Description: Installation Instructions for SERENITY
LED WALL SCONCE

1717 West Civic Drive Milwaukee, WI 53209
414-354-6600
Design Modification Rights Reserved
© Visa Lighting

TYPICAL FIXTURE



1. Secure mounting plate to junction box & wall. (screws & J-box by others)
2. Make electrical connections per code.
3. Secure lamping assembly to mounting plate with (4) knurled nuts (provided). Take caution not to pinch any wires.
4. Lift lens over bend at top of mounting plate. Rotate down over mounting plate and lamping assembly until the lens rests flush against the wall. Tighten lens set screw at top.

When using electrical equipment, basic safety precautions should always be followed, including the following:

- Read all instructions carefully before installing and save for future use.
- Make sure all connections are in accordance with the National Electrical Code and local regulations.
- To avoid possible electric shock, be sure the power supply is turned off before servicing or installing the fixture.
- Service should be performed by qualified personnel.
- These instructions may not cover all details or variations. If additional information is needed, please contact Visa Lighting.