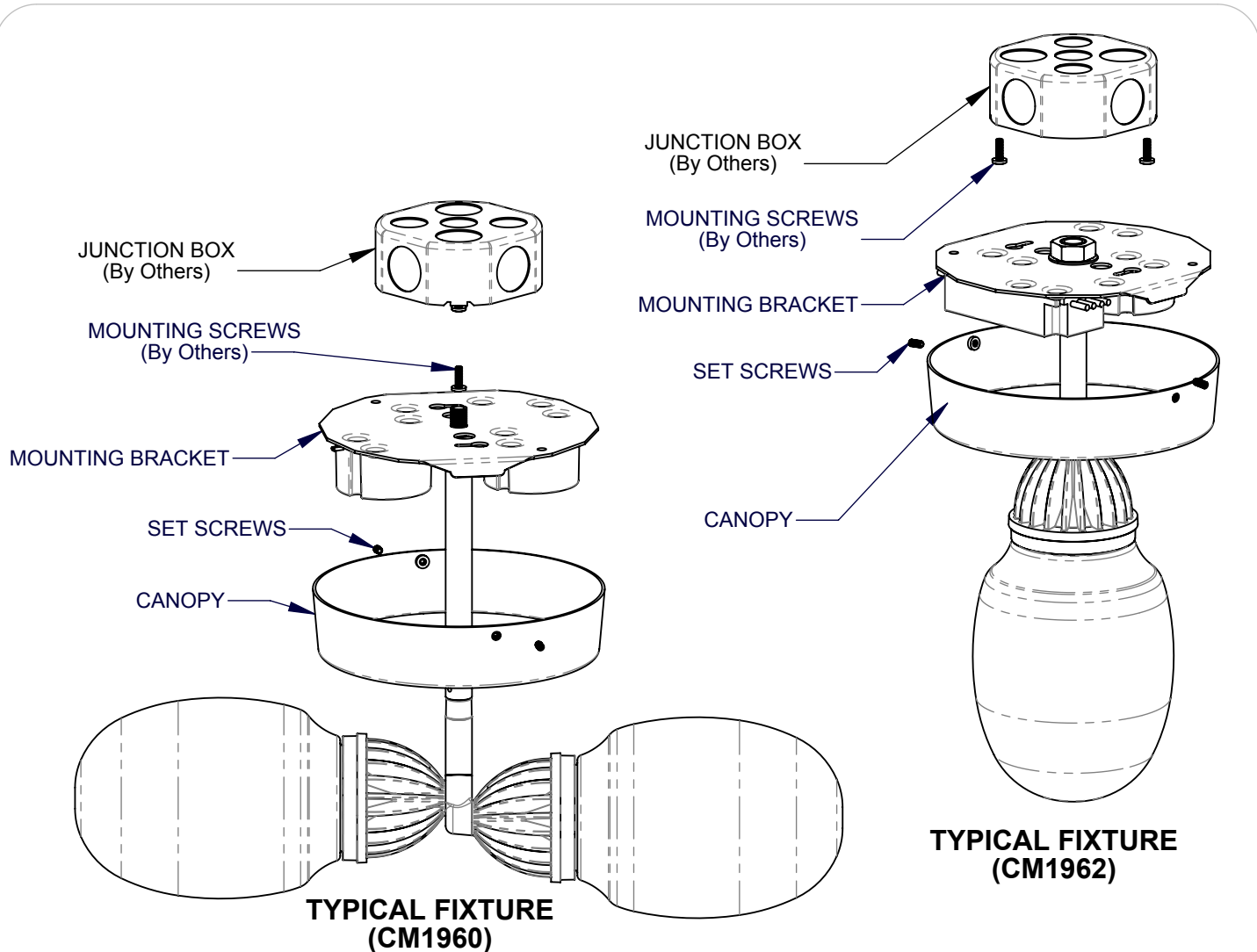


INSTALLATION INSTRUCTIONS

Model: **CM1960/CM1962**
Fixture Family: **ALLEGRO CEILING MOUNT**
Document Description: Installation Instructions for Allegro Series Luminaires

VISA LIGHTING
An Oldenburg Group Company
1717 West Civic Drive Milwaukee, WI 53209
414-354-6600
Design Modification Rights Reserved
© Visa Lighting



1. Loosen canopy set screws.
2. Make electrical connections per code.
3. Secure mounting bracket to junction box with mounting screws (by others).
CAUTION: DO NOT PINCH WIRES.
4. Secure canopy to mounting bracket with set screws.
CAUTION: DO NOT PINCH WIRES.

NOTE: Allegro units come standard with dimming drivers.
For a complete list of compatible dimmers, please visit - www.visalighting.com/energy-star

For Full Warranty Terms and Conditions please visit - www.visalighting.com/visa-warranty

Drawing: 761997XX

Rev: B

Sheet: 1 of 3

Eng: CG2

Date Drawn: 11/8/18

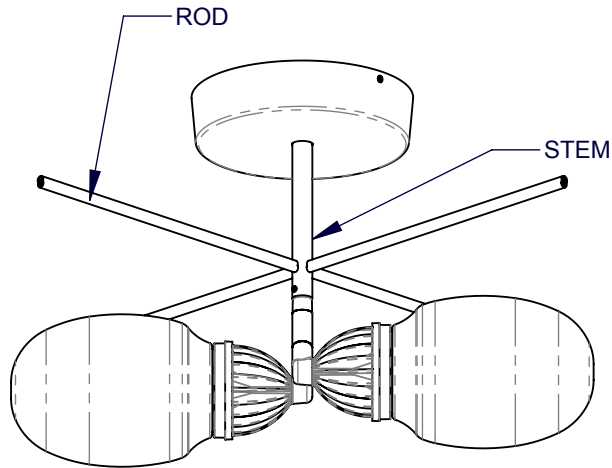
! When using electrical equipment, basic safety precautions should always be followed, including the following:

- Read all instructions carefully before installing and save for future use.
- Make sure all connections are in accordance with the National Electrical Code and local regulations.
- To avoid possible electric shock, be sure the power supply is turned off before servicing or installing the fixture.
- Service should be performed by qualified personnel.
- These instructions may not cover all details or variations. If additional information is needed, please contact Visa Lighting.

INSTALLATION INSTRUCTIONS

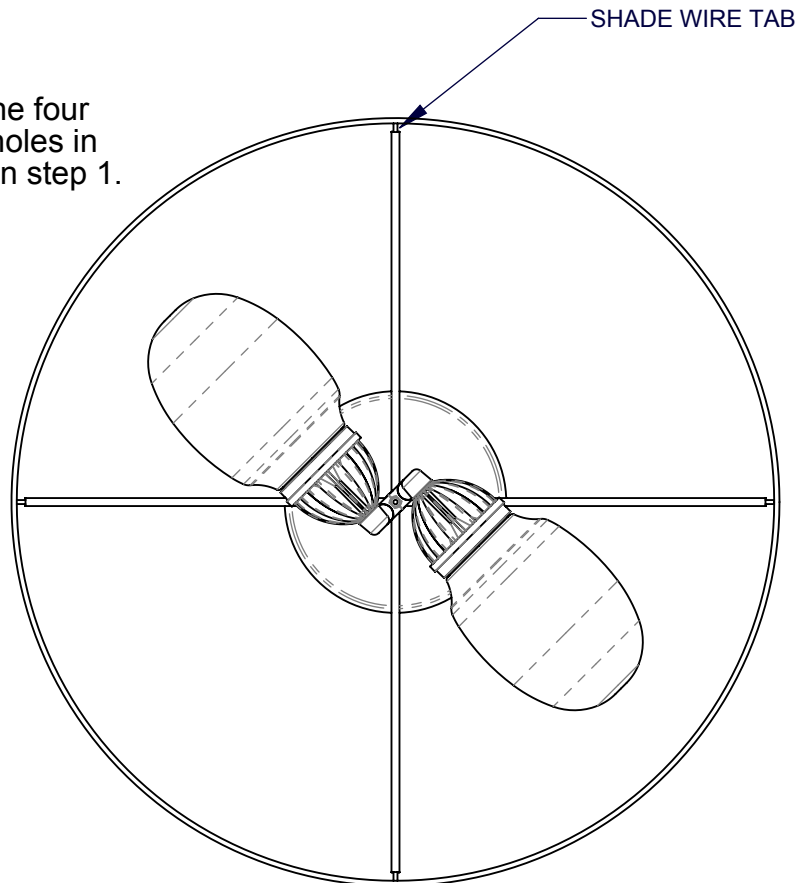
Model: **CM1960/CM1962**
Fixture Family: **ALLEGRO CEILING MOUNT**
Document Description: Installation Instructions for
Allegro Series Luminaires

DUAL GLOBE UNIT SHADE INSTALLATION



1. Attach four rods to fixture stem, making sure to fully tighten rods.

2. Attach shade to fixture by inserting the four short wire tabs, on the shade, into the holes in the end of the rods that were attached in step 1.



Drawing: 761997XX

Rev: B

Sheet: 2 of 3

Eng: CG2

Date Drawn: 11/8/18

When using electrical equipment, basic safety precautions should always be followed, including the following:

- Read all instructions carefully before installing and save for future use.
- Make sure all connections are in accordance with the National Electrical Code and local regulations.
- To avoid possible electric shock, be sure the power supply is turned off before servicing or installing the fixture.
- Service should be performed by qualified personnel.

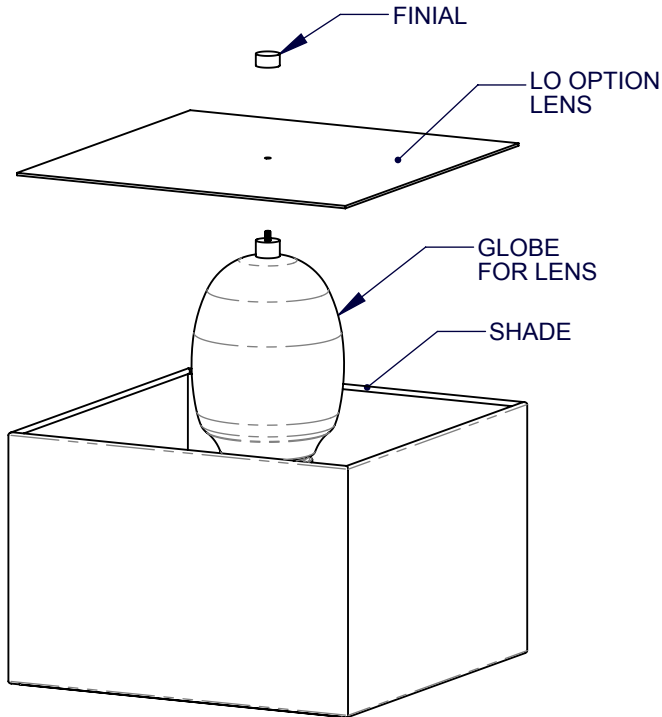
• These instructions may not cover all details or variations. If additional information is needed, please contact Visa Lighting.

INSTALLATION INSTRUCTIONS

Model: **CM1960/CM1962**
Fixture Family: **ALLEGRO CEILING MOUNT**
Document Description: Installation Instructions for Allegro Series Luminaires

VISA LIGHTING
AN OLDENBURG GROUP COMPANY
1717 West Civic Drive Milwaukee, WI 53209
414-354-6600
Design Modification Rights Reserved
© Visa Lighting

SINGLE GLOBE UNIT LENS INSTALLATION

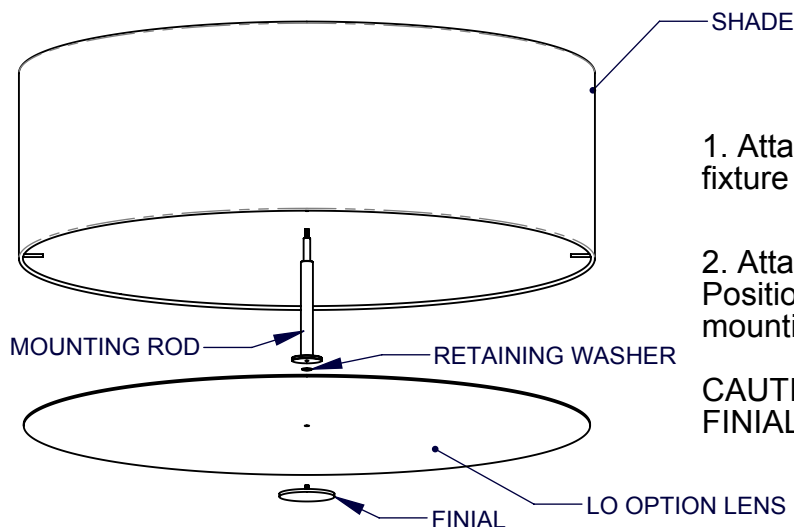


1. Remove globe (if attached) by turning globe counter-clockwise and lifting off of the LED fitter (not shown). Attach the LO option globe to LED fitter.

2. Place lens over stud on the top of the globe and attach the LO option lens using the finial.

CAUTION: DO NOT OVER TIGHTEN FINIAL!

DUAL GLOBE UNIT LENS INSTALLATION



1. Attach mounting rod to threaded hole on fixture bottom.

2. Attach finial to lens using retaining washer. Position lens into place and thread finial into mounting rod.

CAUTION: DO NOT OVER TIGHTEN FINIAL!

When using electrical equipment, basic safety precautions should always be followed, including the following:

- Read all instructions carefully before installing and save for future use.
- Make sure all connections are in accordance with the National Electrical Code and local regulations.
- To avoid possible electric shock, be sure the power supply is turned off before servicing or installing the fixture.
- Service should be performed by qualified personnel.
- These instructions may not cover all details or variations. If additional information is needed, please contact Visa Lighting.

Drawing: 761997XX

Rev: B

Sheet: 3 of 3

Eng: CG2

Date Drawn: 11/8/18