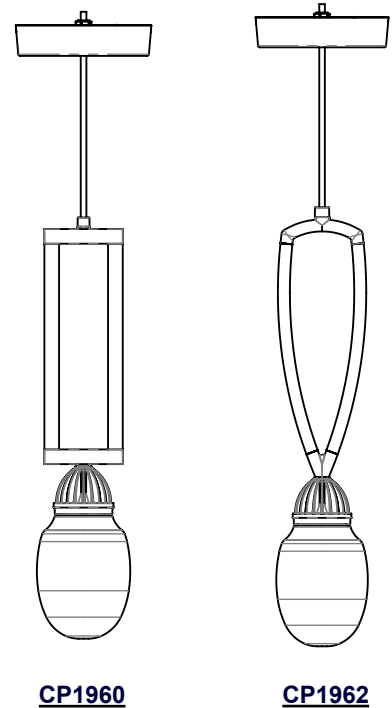
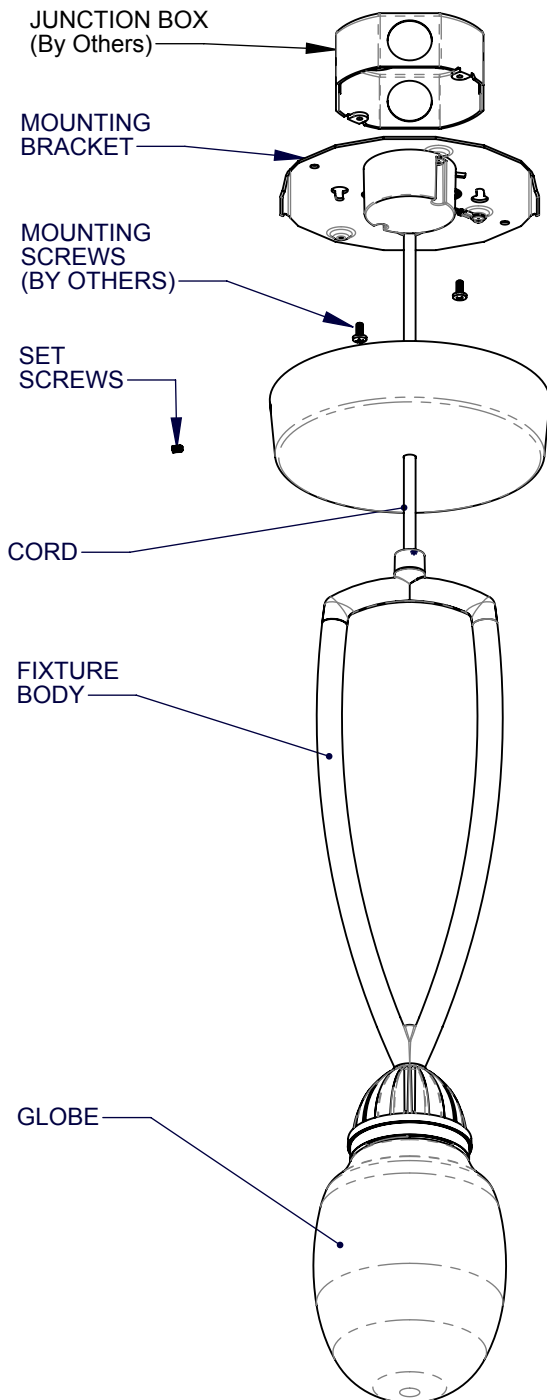


# INSTALLATION INSTRUCTIONS

Model: **CP1960 / CP1962**  
Fixture Family: **ALLEGRO PENDANT**  
Document Description: Installation Instructions for  
ALLEGRO Series Luminaires

**VISA LIGHTING**  
An Oldenburg Group Company  
1717 West Civic Drive Milwaukee, WI 53209  
414-354-6600  
Design Modification Rights Reserved  
© Visa Lighting

## TYPICAL FIXTURE



1. Loosen canopy set screws.
2. Feed J-box wires through mounting bracket.
3. Secure mounting bracket to junction box with mounting screws (by others).
3. Make electrical connections per code.
4. Secure canopy to mounting bracket with set screws.  
**CAUTION: DO NOT PINCH WIRES.**

## WARNING

This fixture is intended for damp interior applications only. It is not suitable for mounting locations outside the building. This fixture is not designed to withstand outdoor conditions such as wind gusts. Installation of this fixture outside of an enclosed building will void the warranty, and may create an unsafe condition. Exposure to sustained wind gusts may cause the fixture fall, resulting in serious injury or death.

**NOTE:** Allegro units are standard with dimming drivers. for a complete list of compatible dimmers, please visit - [www.visalighting.com/energy-star](http://www.visalighting.com/energy-star)

For Full Warranty Terms and Conditions please visit - [www.visalighting.com/visa-warranty](http://www.visalighting.com/visa-warranty)

Drawing: 761998XX

Rev: A

Sheet: 1 of 3

Eng: SLN

Date Drawn: 5/15/2014

When using electrical equipment, basic safety precautions should always be followed, including the following:

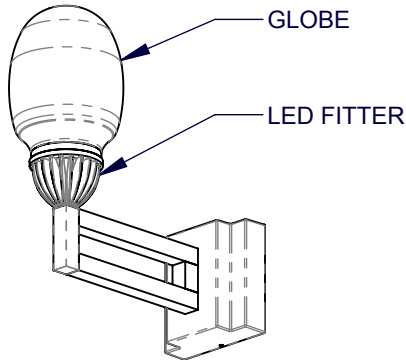
- Read all instructions carefully before installing and save for future use.
- Make sure all connections are in accordance with the National Electrical Code and local regulations.
- To avoid possible electric shock, be sure the power supply is turned off before servicing or installing the fixture.
- Service should be performed by qualified personnel.
- These instructions may not cover all details or variations. If additional information is needed, please contact Visa Lighting.

# INSTALLATION INSTRUCTIONS

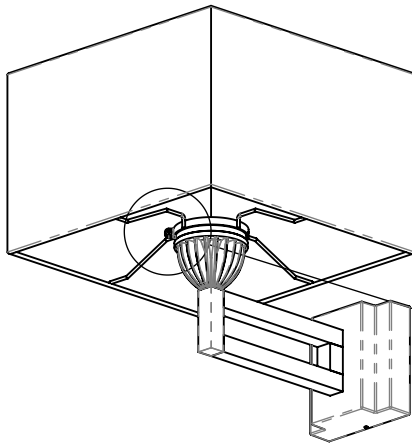
Model: CP1960 / CP1962  
Fixture Family: ALLEGRO PENDANT  
Document Description: Installation Instructions for ALLEGRO Series Luminaires

**VISA LIGHTING**  
AN OLDENBURG GROUP COMPANY  
1717 West Civic Drive Milwaukee, WI 53209  
414-354-6600  
Design Modification Rights Reserved  
© Visa Lighting

## SINGLE GLOBE UNIT SHADE INSTALLATION

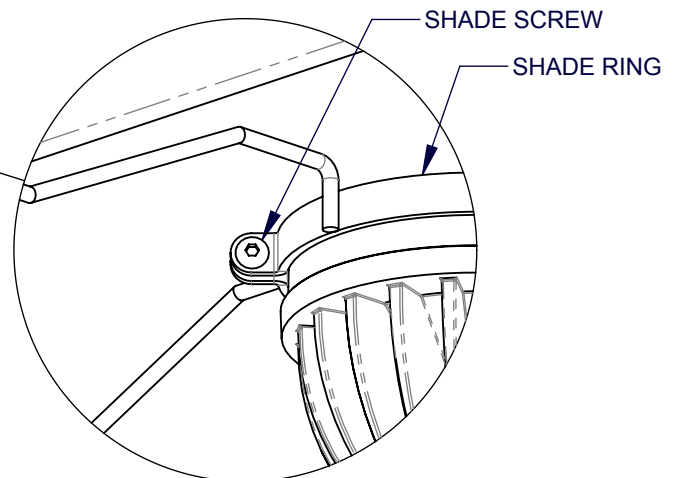


1. Remove globe (if attached) by turning globe counter-clockwise and lifting off of LED fitter.

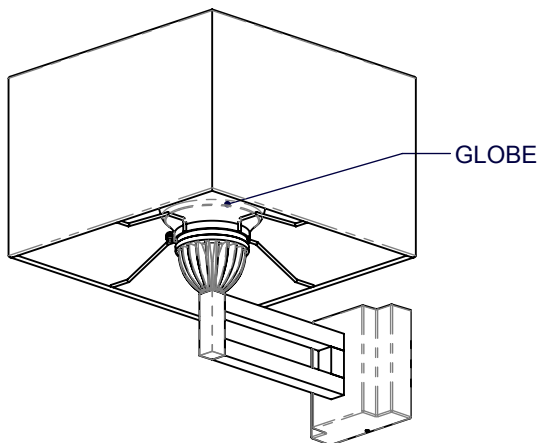


2. Place shade ring over LED fitter. Position shade and tighten shade screw using 5/64" hex allen wrench.

**CAUTION: DO NOT OVER TIGHTEN SCREW!**



DETAIL A  
SCALE 1 : 1.5



3. Attach globe to LED fitter.

Drawing: 761998XX

Rev: A

Sheet: 2 of 3

Eng: SLN

Date Drawn: 5/15/2014

When using electrical equipment, basic safety precautions should always be followed, including the following:

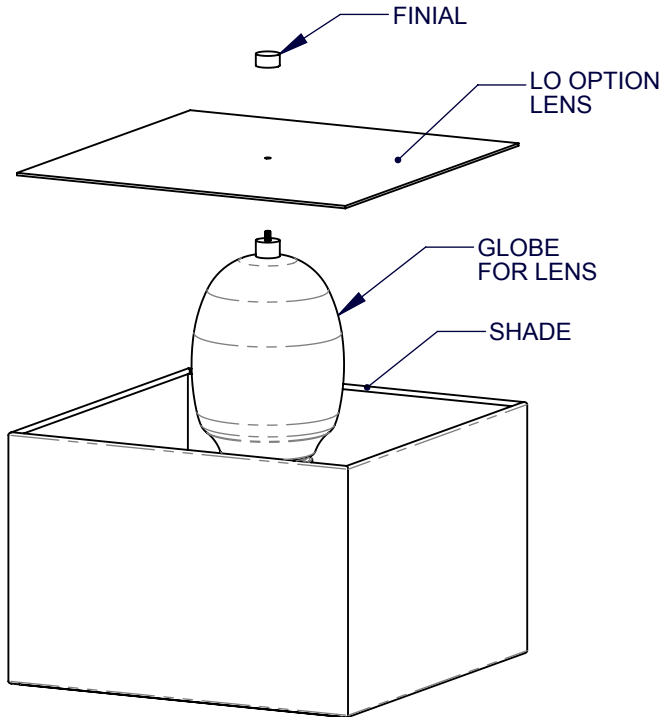
- Read all instructions carefully before installing and save for future use.
- Make sure all connections are in accordance with the National Electrical Code and local regulations.
- To avoid possible electric shock, be sure the power supply is turned off before servicing or installing the fixture.
- Service should be performed by qualified personnel.
- These instructions may not cover all details or variations. If additional information is needed, please contact Visa Lighting.

# INSTALLATION INSTRUCTIONS

Model: **CP1960 / CP1962**  
Fixture Family: **ALLEGRO PENDANT**  
Document Description: Installation Instructions for  
ALLEGRO Series Luminaires

**VISA LIGHTING**  
AN OLDENBURG GROUP COMPANY  
1717 West Civic Drive Milwaukee, WI 53209  
414-354-6600  
Design Modification Rights Reserved  
© Visa Lighting

## SINGLE GLOBE UNIT LENS INSTALLATION

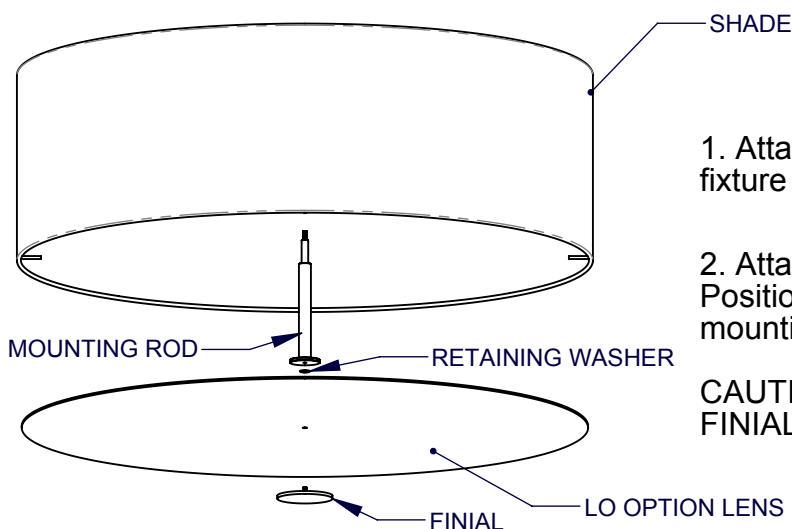


1. Remove globe (if attached) by turning globe counter-clockwise and lifting off of the LED fitter (not shown). Attach the LO option globe to LED fitter.

2. Place lens over stud on the top of the globe and attach the LO option lens using the finial.

**CAUTION: DO NOT OVER TIGHTEN FINIAL!**

## DUAL GLOBE UNIT LENS INSTALLATION



1. Attach mounting rod to threaded hole on fixture bottom.

2. Attach finial to lens using retaining washer. Position lens into place and thread finial into mounting rod.

**CAUTION: DO NOT OVER TIGHTEN FINIAL!**

When using electrical equipment, basic safety precautions should always be followed, including the following:

- Read all instructions carefully before installing and save for future use.
- Make sure all connections are in accordance with the National Electrical Code and local regulations.
- To avoid possible electric shock, be sure the power supply is turned off before servicing or installing the fixture.
- Service should be performed by qualified personnel.
- These instructions may not cover all details or variations. If additional information is needed, please contact Visa Lighting.

Drawing: 761998XX

Rev: A

Sheet: 3 of 3

Eng: SLN

Date Drawn: 5/15/2014