

INSTALLATION INSTRUCTIONS



An Oldenburg Group Company

1717 West Civic Drive Milwaukee, WI 53209

414-354-6600

Design Modification Rights Reserved

© Visa Lighting

Model: **CB1960 / CB1962**
Fixture Family: **ALLEGRO ARM WALL SCONCE**
Document Description: Installation Instructions for
ALLEGRO Series Luminaires

Drawing: 761999XX

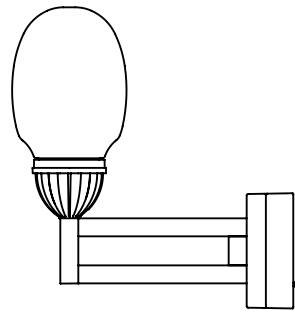
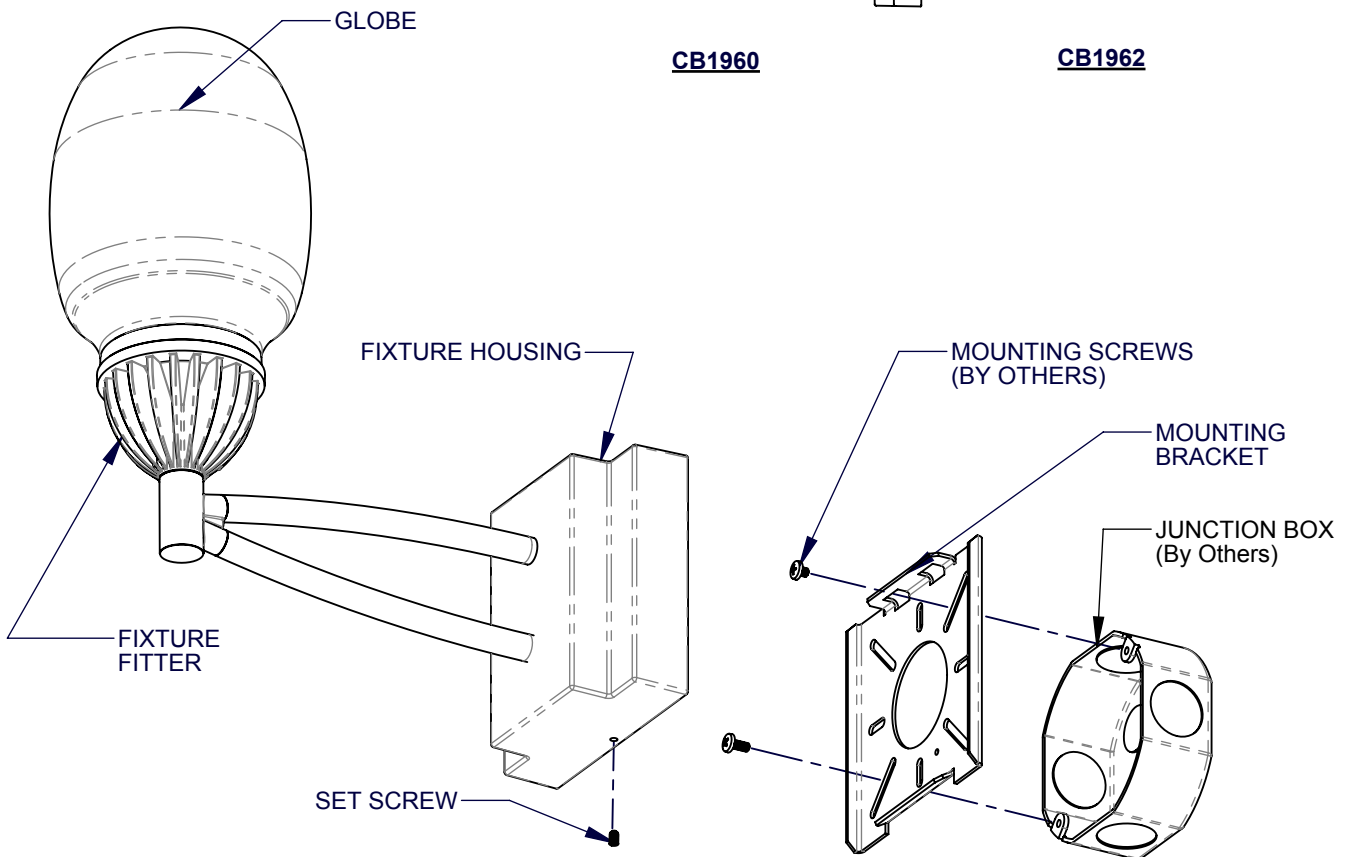
Rev: B

Sheet: 1 of 2

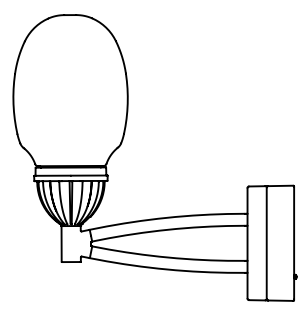
Eng: SLN

Date Drawn: 5/15/2014

TYPICAL FIXTURE



CB1960



CB1962

1. Loosen fixture housing set screw at bottom of housing. Remove mounting bracket.
2. Secure mounting bracket to junction box with mounting screws (by others).
3. Make electrical connection per code.
4. Secure fixture housing to mounting bracket with set screw. **CAUTION: DO NOT PINCH WIRES.**

NOTE: Allegro units come standard with dimming drivers. For a complete list of compatible dimmers, please visit - www.visalighting.com/energy-star

For Full Warranty Term and Conditions please visit - www.visalighting.com/visa-warranty



When using electrical equipment, basic safety precautions should always be followed, including the following:

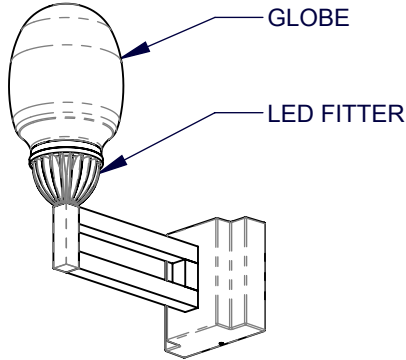
- Read all instructions carefully before installing and save for future use.
- Make sure all connections are in accordance with the National Electrical Code and local regulations.
- To avoid possible electric shock, be sure the power supply is turned off before servicing or installing the fixture.
- Service should be performed by qualified personnel.
- These instructions may not cover all details or variations. If additional information is needed, please contact Visa Lighting.

INSTALLATION INSTRUCTIONS

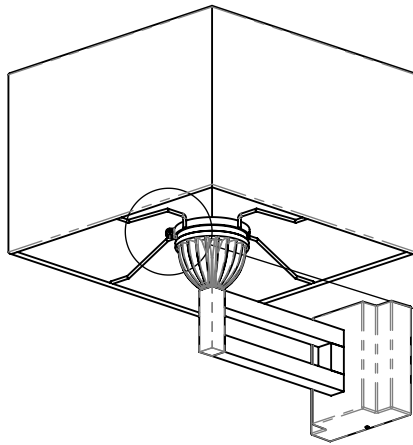
Model: **CB1960 / CB1962**
Fixture Family: **ALLEGRO ARM WALL SCONCE**
Document Description: Installation Instructions for
ALLEGRO Series Luminaires

VISA LIGHTING
AN OLDENBURG GROUP COMPANY
1717 West Civic Drive Milwaukee, WI 53209
414-354-6600
Design Modification Rights Reserved
© Visa Lighting

SINGLE GLOBE UNIT SHADE INSTALLATION

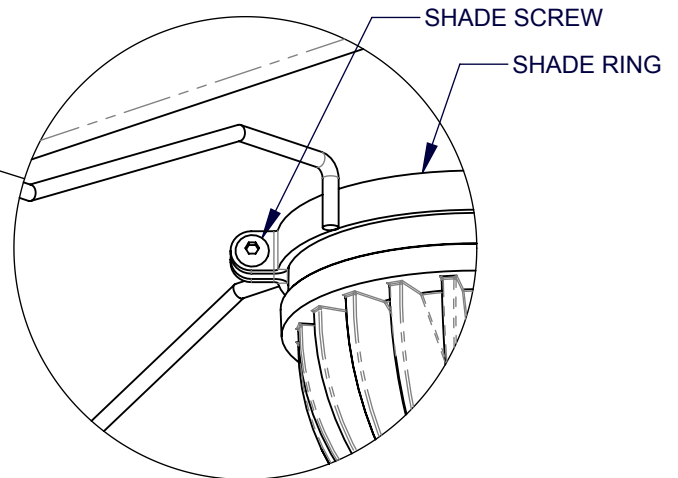


1. Remove globe (if attached) by turning globe counter-clockwise and lifting off of LED fitter.

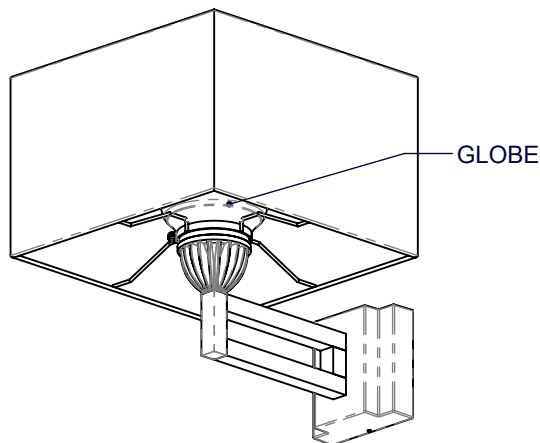


2. Place shade ring over LED fitter. Position shade and tighten shade screw using 5/64" hex allen wrench.

CAUTION: DO NOT OVER TIGHTEN SCREW!



DETAIL A
SCALE 1 : 1.5



3. Attach globe to LED fitter.

Drawing: 761999XX

Rev: B

Sheet: 2 of 2

Eng: SLN

Date Drawn: 5/15/2014

When using electrical equipment, basic safety precautions should always be followed, including the following:

- Read all instructions carefully before installing and save for future use.
- Make sure all connections are in accordance with the National Electrical Code and local regulations.
- To avoid possible electric shock, be sure the power supply is turned off before servicing or installing the fixture.
- Service should be performed by qualified personnel.
- These instructions may not cover all details or variations. If additional information is needed, please contact Visa Lighting.