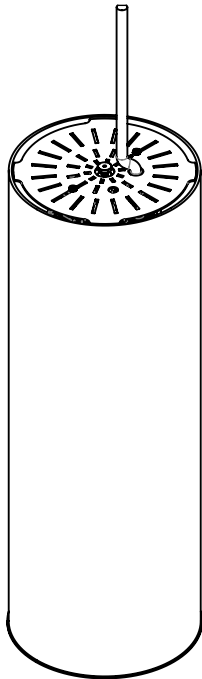


# INSTALLATION INSTRUCTIONS

Model: **CP2036-CP2044,CP2052-CP2058**  
Fixture Family: **SEQUENCE**  
Document Description: Installation Instructions for  
LED Series Luminaires

 **VISA LIGHTING**  
AN OLDENBURG GROUP COMPANY  
1717 West Civic Drive Milwaukee, WI 53209  
414-354-6600  
Design Modification Rights Reserved  
© Visa Lighting 2014



## SEQUENCE LED

**CP2036**  
**CP2038**  
**CP2040**  
**CP2042**  
**CP2044**  
**CP2052**  
**CP2054**  
**CP2056**  
**CP2058**

**SPECIAL NOTE: INSTRUCTION PACKET HAS MULTIPLE PAGES, READ CAREFULLY AS INSTRUCTIONS MAY DIFFER DEPENDING ON OPTIONS ORDERED**

**Pg 2 - Standard shipment with power cord attached to fixture.**

**Pg 3 - General Maintenance features - access to internal components.**

**Pg 4 - If mounting hardware is shipped ahead for installation before fixture arrives.**

**!** When using electrical equipment, basic safety precautions should always be followed, including the following:

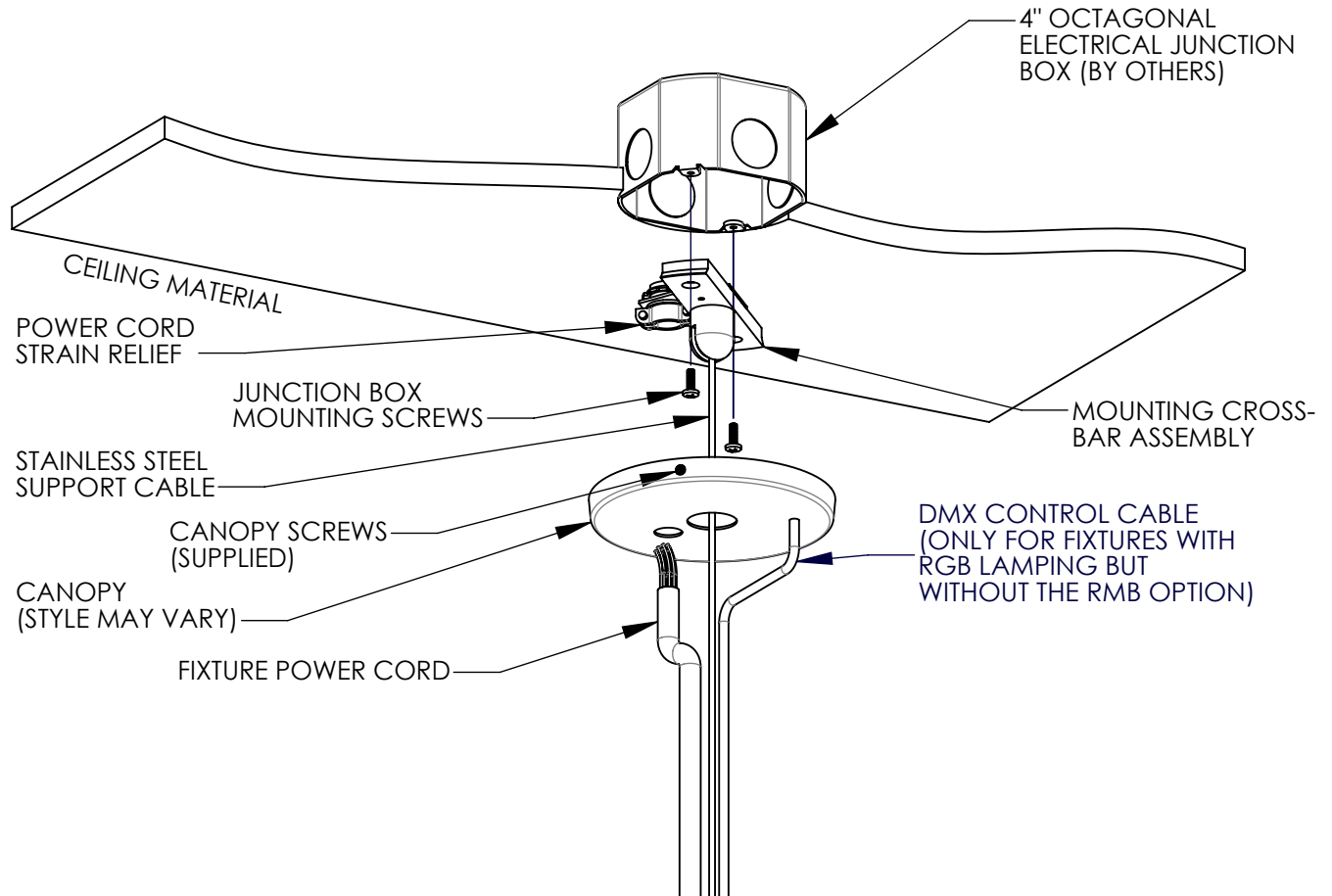
- Read all instructions carefully before installing and save for future use.
- Make sure all connections are in accordance with the National Electrical Code and local regulations.
- To avoid possible electric shock, be sure the power supply is turned off before servicing or installing the fixture
- Service should be performed by qualified personnel.
- These instructions may not cover all details or variations. If additional information is needed, please contact Visa Lighting.

# INSTALLATION INSTRUCTIONS

Model: **CP2036-CP2044,CP2052-CP2058**  
Fixture Family: **SEQUENCE**  
Document Description: Installation Instructions for  
LED Series Luminaires

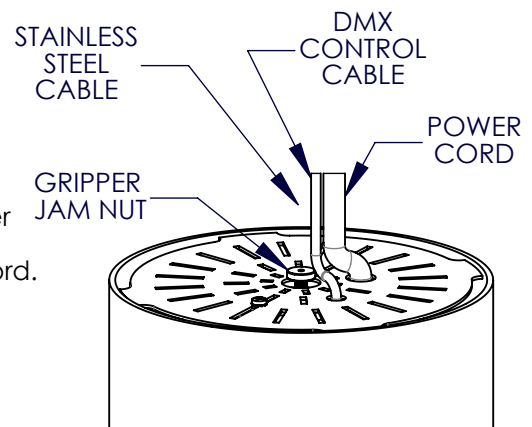
**VISA LIGHTING**  
AN OLDENBURG GROUP COMPANY  
1717 West Civic Drive Milwaukee, WI 53209  
414-354-6600  
Design Modification Rights Reserved  
© Visa Lighting 2014

## Standard shipment with cord attached to fixture.



### Instructions -

- 1) Fasten Mounting Cross-Bar Assembly to junction box with junction box screws.
- 2) Making sure Stainless Steel Cable and power cord are passing through their respective holes in the canopy, lift Fixture up and insert Stainless Steel Cable into Cable Gripper at top of Fixture Body. (See detail at right)
- 3) At the mounting Cross-Bar Assembly, insert Fixture Power Cord.
- 4) Make final adjustments to the fixture height and secure the Power Cord with strain relief and secure Stainless Steel Cable at Cable Gripper by tightening Jam Nut.
- 5) Make all wire connections per local and national codes. (see page 3 for typical wire color scheme)
- 6) Lift canopy in place and secure with screws provided.
- 7) If your installation requires the DMX control cable, it must be routed outside the junction box due to the low voltage class of the cable.



### TOP OF FIXTURE BODY

When using electrical equipment, basic safety precautions should always be followed, including the following:

- Read all instructions carefully before installing and save for future use.
- Make sure all connections are in accordance with the National Electrical Code and local regulations.
- To avoid possible electric shock, be sure the power supply is turned off before servicing or installing the fixture.
- Service should be performed by qualified personnel.

• These instructions may not cover all details or variations. If additional information is needed, please contact Visa Lighting.

Drawing: 762010XX

Rev: D

Sheet: 2 of 4

Eng: MJH

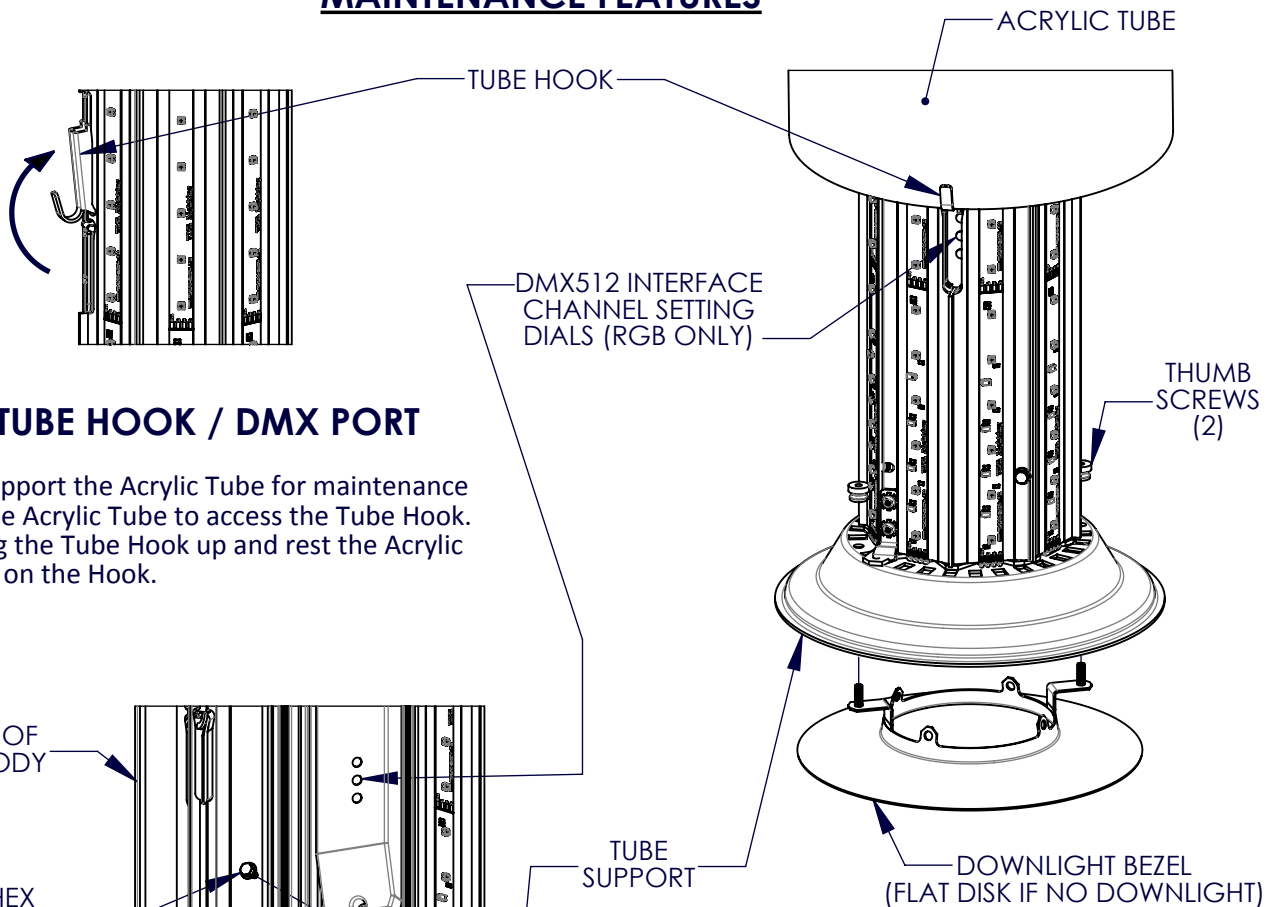
Date Drawn: 12/10/14

# INSTALLATION INSTRUCTIONS

Model: CP2036-CP2044, CP2052-CP2058  
Fixture Family: SEQUENCE  
Document Description: Installation Instructions for  
LED Series Luminaires

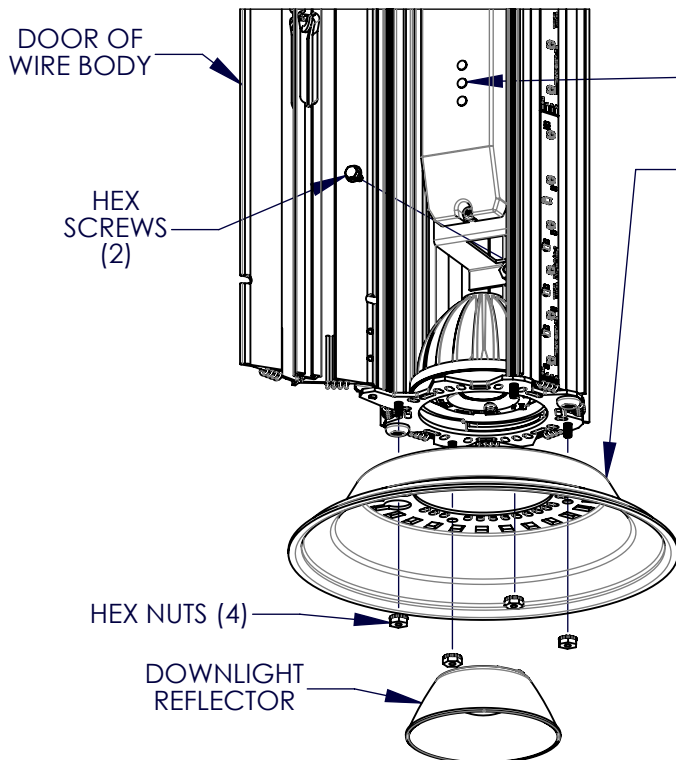
**VISA LIGHTING**  
AN OLDENBURG GROUP COMPANY  
1717 West Civic Drive Milwaukee, WI 53209  
414-354-6600  
Design Modification Rights Reserved  
© Visa Lighting 2014

## MAINTENANCE FEATURES



### TUBE HOOK / DMX PORT

To support the Acrylic Tube for maintenance lift the Acrylic Tube to access the Tube Hook. Swing the Tube Hook up and rest the Acrylic Tube on the Hook.



### INSTRUCTIONS TO ACCESS INTERNAL COMPONENTS

- 1) See Tube Hook detail for supporting Acrylic Tube
- 2) Remove Thumb Screws to remove Downlight Bezel
- 3) Twist Downlight Reflector counter clockwise to remove it
- 4) Remove (4) Hex Nuts to remove Tube Support
- 5) Remove (2) Hex Screws attaching the door of wire body and pivot it open

Drawing: 762010XX

Rev: D

Sheet: 3 of 4

Eng: MJH

Date Drawn: 12/10/14

When using electrical equipment, basic safety precautions should always be followed, including the following:

- Read all instructions carefully before installing and save for future use.
- Make sure all connections are in accordance with the National Electrical Code and local regulations.
- To avoid possible electric shock, be sure the power supply is turned off before servicing or installing the fixture
- Service should be performed by qualified personnel.

• These instructions may not cover all details or variations. If additional information is needed, please contact Visa Lighting.

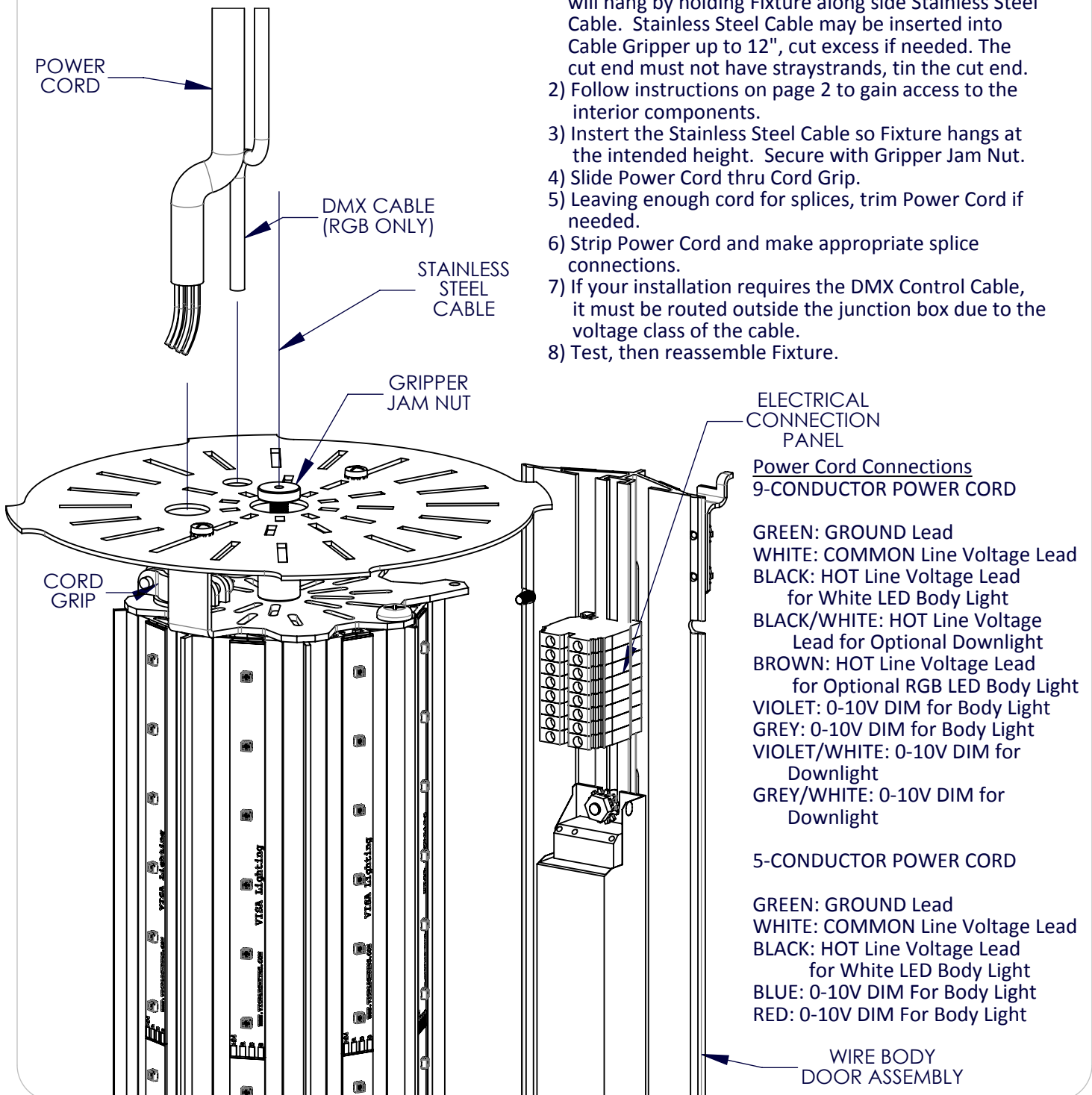
# INSTALLATION INSTRUCTIONS

Model: **CP2036-CP2044,CP2052-CP2058**  
 Fixture Family: **SEQUENCE**  
 Document Description: Installation Instructions for  
 LED Series Luminaires

## PRE-INSTALLED CABLE AND CORDS

## INSTRUCTIONS

- 1) Preparation: Determine the height the Fixture will hang by holding Fixture along side Stainless Steel Cable. Stainless Steel Cable may be inserted into Cable Gripper up to 12", cut excess if needed. The cut end must not have straystrands, tin the cut end.
- 2) Follow instructions on page 2 to gain access to the interior components.
- 3) Inster the Stainless Steel Cable so Fixture hangs at the intended height. Secure with Gripper Jam Nut.
- 4) Slide Power Cord thru Cord Grip.
- 5) Leaving enough cord for splices, trim Power Cord if needed.
- 6) Strip Power Cord and make appropriate splice connections.
- 7) If your installation requires the DMX Control Cable, it must be routed outside the junction box due to the voltage class of the cable.
- 8) Test, then reassemble Fixture.



### ELECTRICAL CONNECTION PANEL

#### Power Cord Connections 9-CONDUCTOR POWER CORD

- GREEN: GROUND Lead
- WHITE: COMMON Line Voltage Lead
- BLACK: HOT Line Voltage Lead for White LED Body Light
- BLACK/WHITE: HOT Line Voltage Lead for Optional Downlight
- BROWN: HOT Line Voltage Lead for Optional RGB LED Body Light
- VIOLET: 0-10V DIM for Body Light
- GREY: 0-10V DIM for Body Light
- VIOLET/WHITE: 0-10V DIM for Downlight
- GREY/WHITE: 0-10V DIM for Downlight

#### 5-CONDUCTOR POWER CORD

- GREEN: GROUND Lead
- WHITE: COMMON Line Voltage Lead
- BLACK: HOT Line Voltage Lead for White LED Body Light
- BLUE: 0-10V DIM For Body Light
- RED: 0-10V DIM For Body Light

Drawing: 762010XX

Rev: D

Sheet: 4 of 4

Eng: MJH

Date Drawn: 12/10/14

**!** When using electrical equipment, basic safety precautions should always be followed, including the following:

- Read all instructions carefully before installing and save for future use.
- Make sure all connections are in accordance with the National Electrical Code and local regulations.
- To avoid possible electric shock, be sure the power supply is turned off before servicing or installing the fixture.
- Service should be performed by qualified personnel.
- These instructions may not cover all details or variations. If additional information is needed, please contact Visa Lighting.