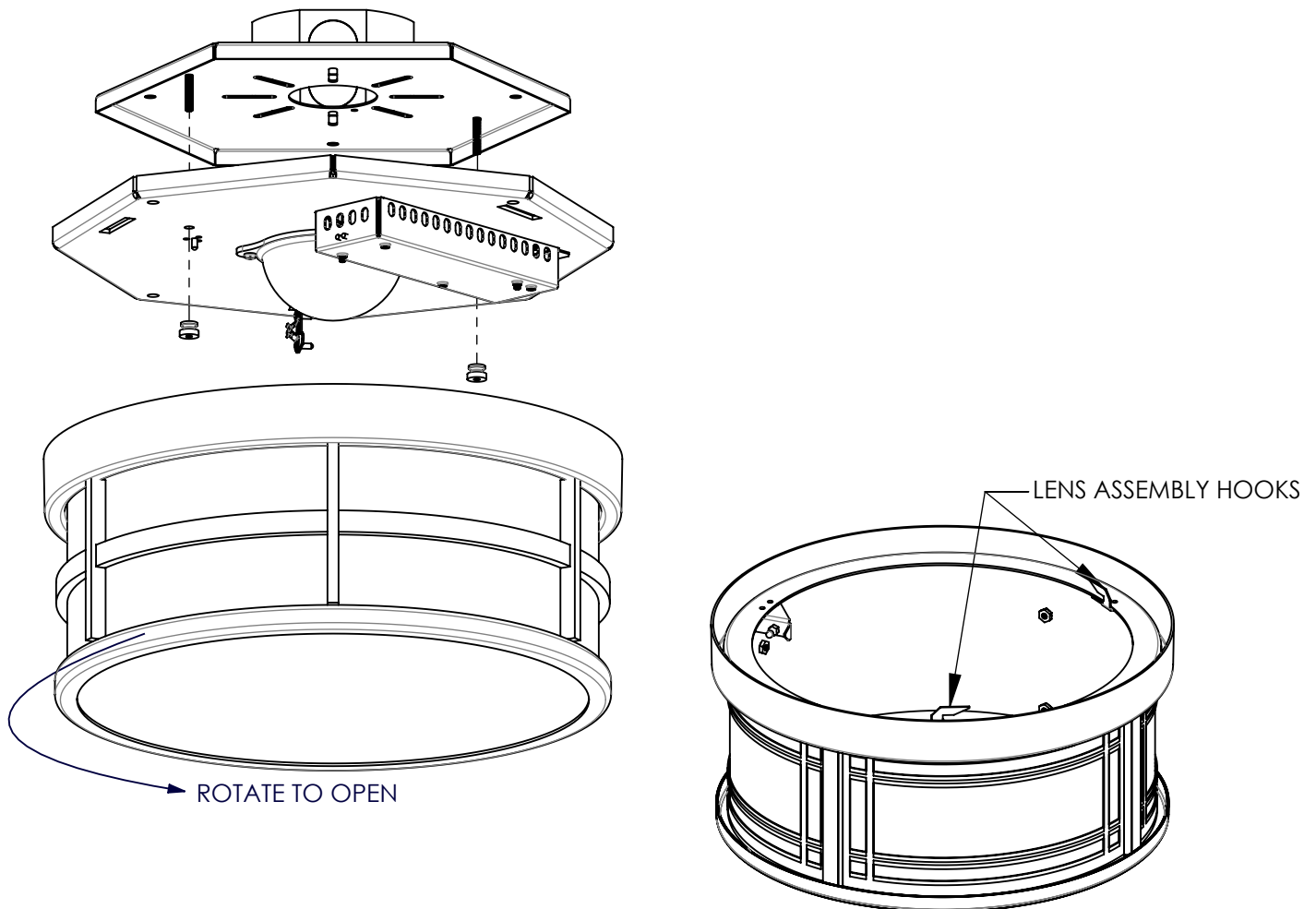


INSTALLATION INSTRUCTIONS

Model: **CM1731, CM1733, CM1735, CM1737**
Fixture Family: **CAPITOL LED**
Document Description: Installation Instructions for
Capitol Series Luminaires

VISA LIGHTING
AN OLDENBURG GROUP COMPANY
1717 West Civic Drive Milwaukee, WI 53209
414-354-6600
Design Modification Rights Reserved
© Visa Lighting 2015



- 1) Remove lens assembly by rotating lens assembly counter-clockwise.
- 2) Remove thumbnuts to remove mounting plate from lamping assembly.
- 3) Attach mounting plate to junction box with junction box screws (by others).
If installing multiple fixtures, be sure to position all mounting plates in the proper orientation.
- 4) Make necessary electrical connections and attach lamping assembly to mounting plate with thumbnuts.
- 5) Install lamps and replace lens assembly by aligning the two lens assembly hooks with the two lamping assembly slots. Push lens assembly up and rotate clockwise. Be sure lens is securely closed.

When using electrical equipment, basic safety precautions should always be followed, including the following:

- Read all instructions carefully before installing and save for future use.
- Make sure all connections are in accordance with the National Electrical Code and local regulations.
- To avoid possible electric shock, be sure the power supply is turned off before servicing or installing the fixture.
- Service should be performed by qualified personnel.
- These instructions may not cover all details or variations. If additional information is needed, please contact Visa Lighting.

Drawing: 762033XX

Rev: A

Sheet: 1 of 1

Eng: CG2

Date Drawn: 8/31/15