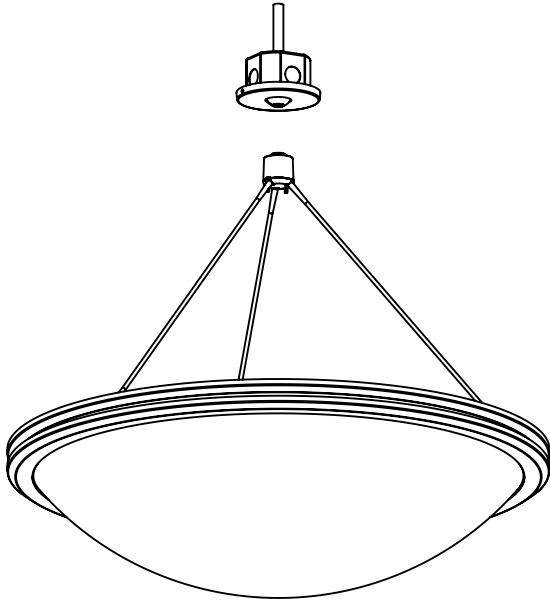


INSTALLATION INSTRUCTIONS

Model: **CP4101, 4105, 4109, 4191, 4195, 4199**
Fixture Family: **LED Luminous Bowl Pendants - PAC Mount**
Document Description: Installation Instructions for
Carlton & Olympia Series LED Luminaires

VISA LIGHTING
AN OLDENBURG GROUP COMPANY
1717 West Civic Drive Milwaukee, WI 53209
414-354-6600
Design Modification Rights Reserved
© Visa Lighting



CARLTON

CP4101
CP4105
CP4109

OLYMPIA

CP4191
CP4195
CP4199

TABLE OF CONTENTS

SHEET 2: SWIVEL HANGER AND STEM INSTALLATION

SHEET 3: BOWL/TRIM ATTACHMENT INSTALLATION

Drawing: 762040XX

Rev: B

Sheet: 1 of 3

Eng: CG2

Date Drawn: 6/2/16

When using electrical equipment, basic safety precautions should always be followed, including the following:

- Read all instructions carefully before installing and save for future use.
- Make sure all connections are in accordance with the National Electrical Code and local regulations.
- To avoid possible electric shock, be sure the power supply is turned off before servicing or installing the fixture.
- Service should be performed by qualified personnel.

• These instructions may not cover all details or variations. If additional information is needed, please contact Visa Lighting.

INSTALLATION INSTRUCTIONS

Model: **CP4101, 4105, 4109, 4191, 4195, 4199**
 Fixture Family: **LED Luminous Bowl Pendants - PAC Mount**
 Document Description: Installation Instructions for
 Carlton & Olympia Series LED Luminaires

VISA LIGHTING
 AN OLDENBURG GROUP COMPANY
 1717 West Civic Drive Milwaukee, WI 53209
 414-354-6600
 Design Modification Rights Reserved
 © Visa Lighting

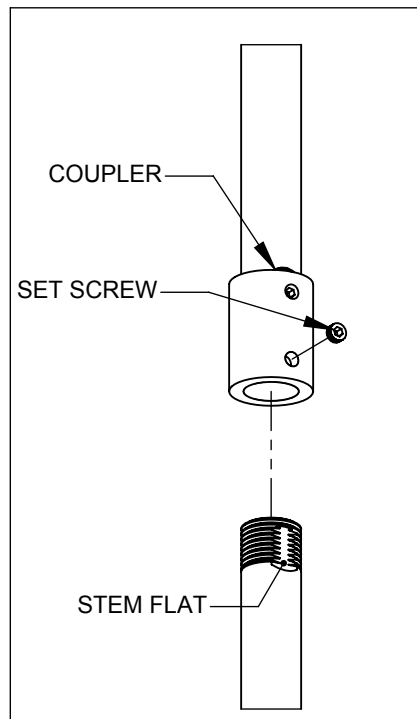
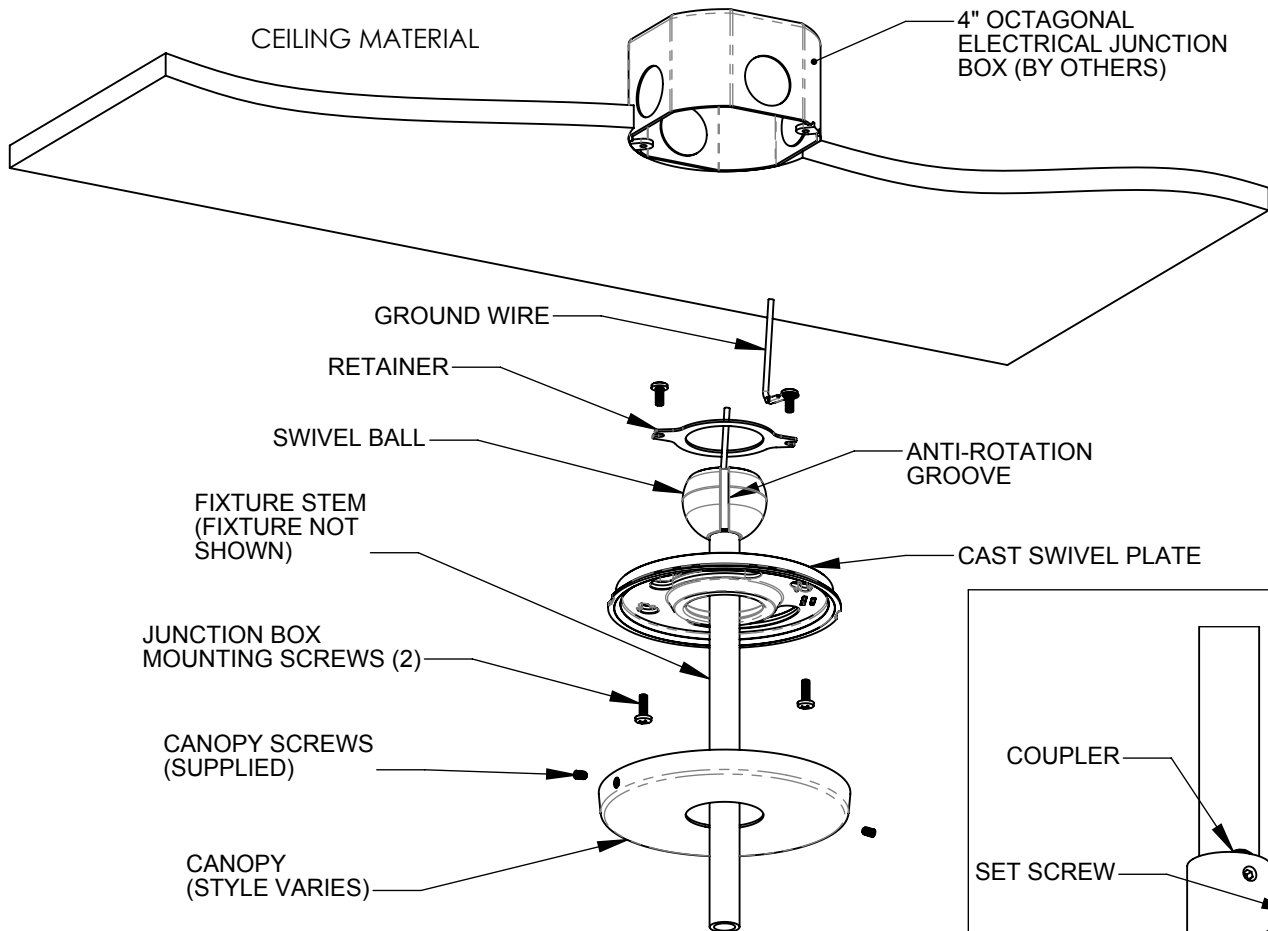
Drawing: 762040XX

Rev: B

Sheet: 2 of 3

Eng: CG2

Date Drawn: 6/2/16



For a longer stem, attach the stem segments with supplied coupler. Align flats on stem to set screws and securely fasten.

Preparation

Check all instructions with the fixture as some preparation may be necessary before the following steps

Instructions

1. Depending on the length of screws supplied with the junction box (by others), you may need to use the longer screws provided.
2. Insert swivel ball/stem assembly through cast swivel plate and fasten swivel ball retainer and ground wire with screws provided.
3. Insert stem through canopy, pull fixture wires through stem and securely fasten stem to the fixture.
4. Fasten cast swivel plate to junction box with #8-32 screws provided.
5. Make all wire connections per local and national codes.
6. Lift canopy in place and secure with screws provided.

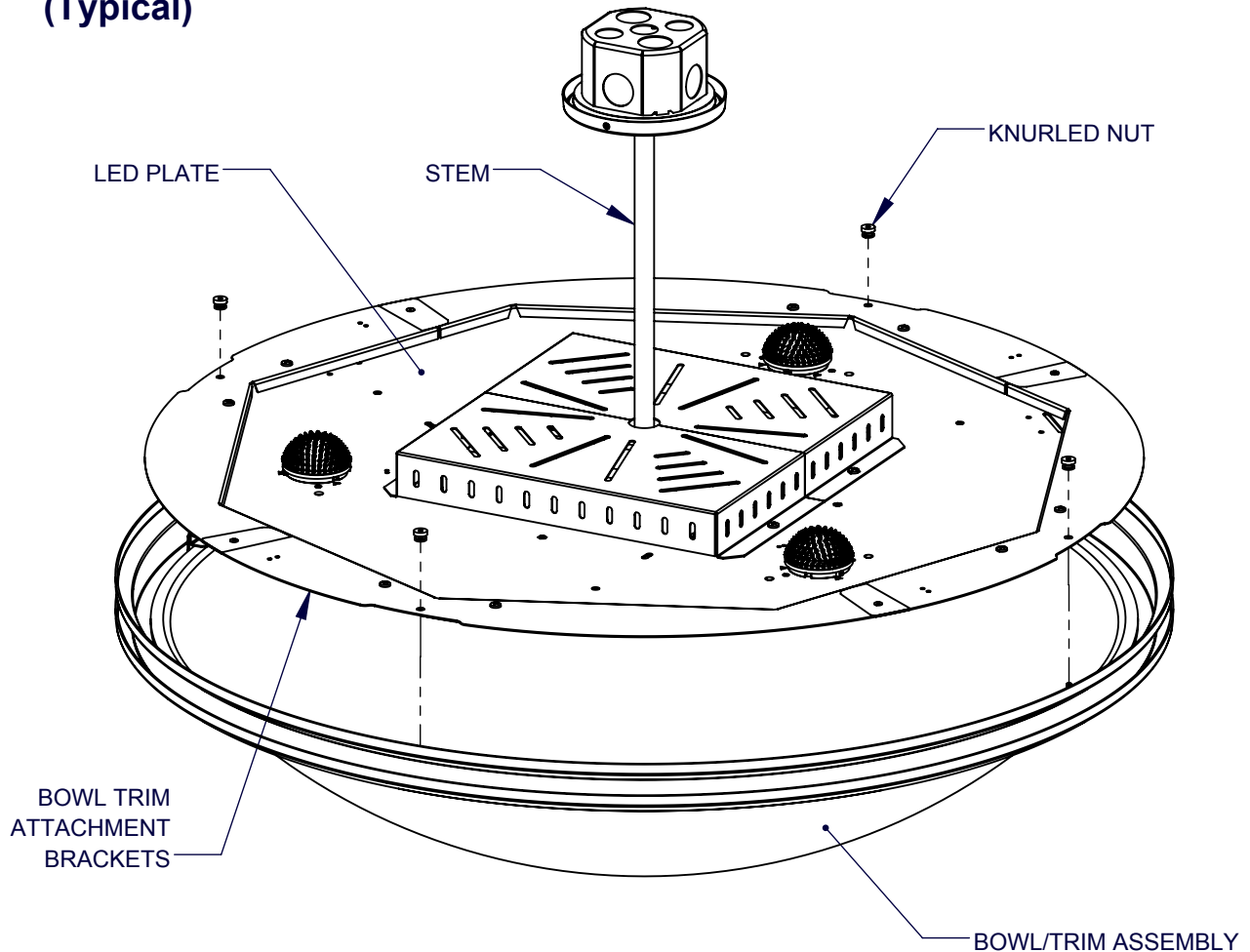
! When using electrical equipment, basic safety precautions should always be followed, including the following:

- Read all instructions carefully before installing and save for future use.
- Make sure all connections are in accordance with the National Electrical Code and local regulations.
- To avoid possible electric shock, be sure the power supply is turned off before servicing or installing the fixture.
- Service should be performed by qualified personnel.
- These instructions may not cover all details or variations. If additional information is needed, please contact Visa Lighting.

INSTALLATION INSTRUCTIONS

Model: **CP4101, 4105, 4109, 4191, 4195, 4199**
Fixture Family: **LED Luminous Bowl Pendants - PAC Mount**
Document Description: Installation Instructions for
Carlton & Olympia Series LED Luminaires

Bowl/Trim Attachment (Typical)



Instructions:

1. Install stem, canopy, and LED plate per previous instructions.
2. Assemble bowl/trim assembly to LED plate. Secure together using knurled nuts on bowl/trim attachment brackets.

! When using electrical equipment, basic safety precautions should always be followed, including the following:

- Read all instructions carefully before installing and save for future use.
- Make sure all connections are in accordance with the National Electrical Code and local regulations.
- To avoid possible electric shock, be sure the power supply is turned off before servicing or installing the fixture.
- Service should be performed by qualified personnel.
- These instructions may not cover all details or variations. If additional information is needed, please contact Visa Lighting.