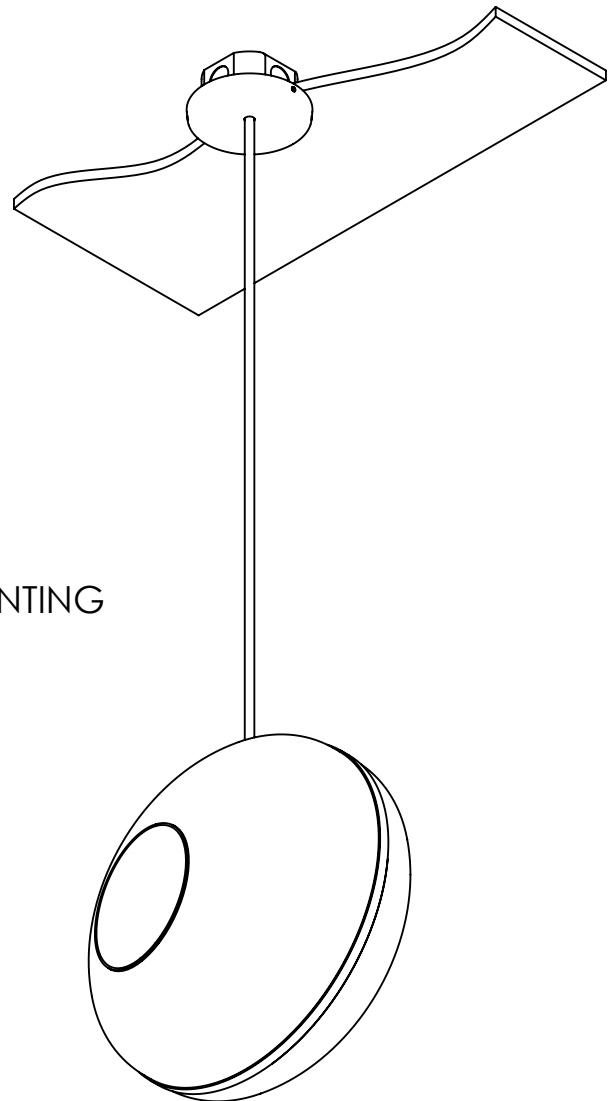


INSTALLATION INSTRUCTIONS

Model: **CP5720**
Fixture Family: **PEEK**
Document Description: Installation Instructions for PEEK
LED Series Luminaires

VISA LIGHTING
AN OLDENBURG GROUP COMPANY
1717 West Civic Drive Milwaukee, WI 53209
414-354-6600
Design Modification Rights Reserved
© Visa Lighting



PEEK CP5720

Pg 2 - MOUNTING

Pg 3 - OPTION -DMX SPLICE BOX MOUNTING

Pg 4 - MAINTENANCE

Drawing: 762053XX

Rev: B

Sheet: 1 of 4

Eng: AJM

Date Drawn: 2/19/16

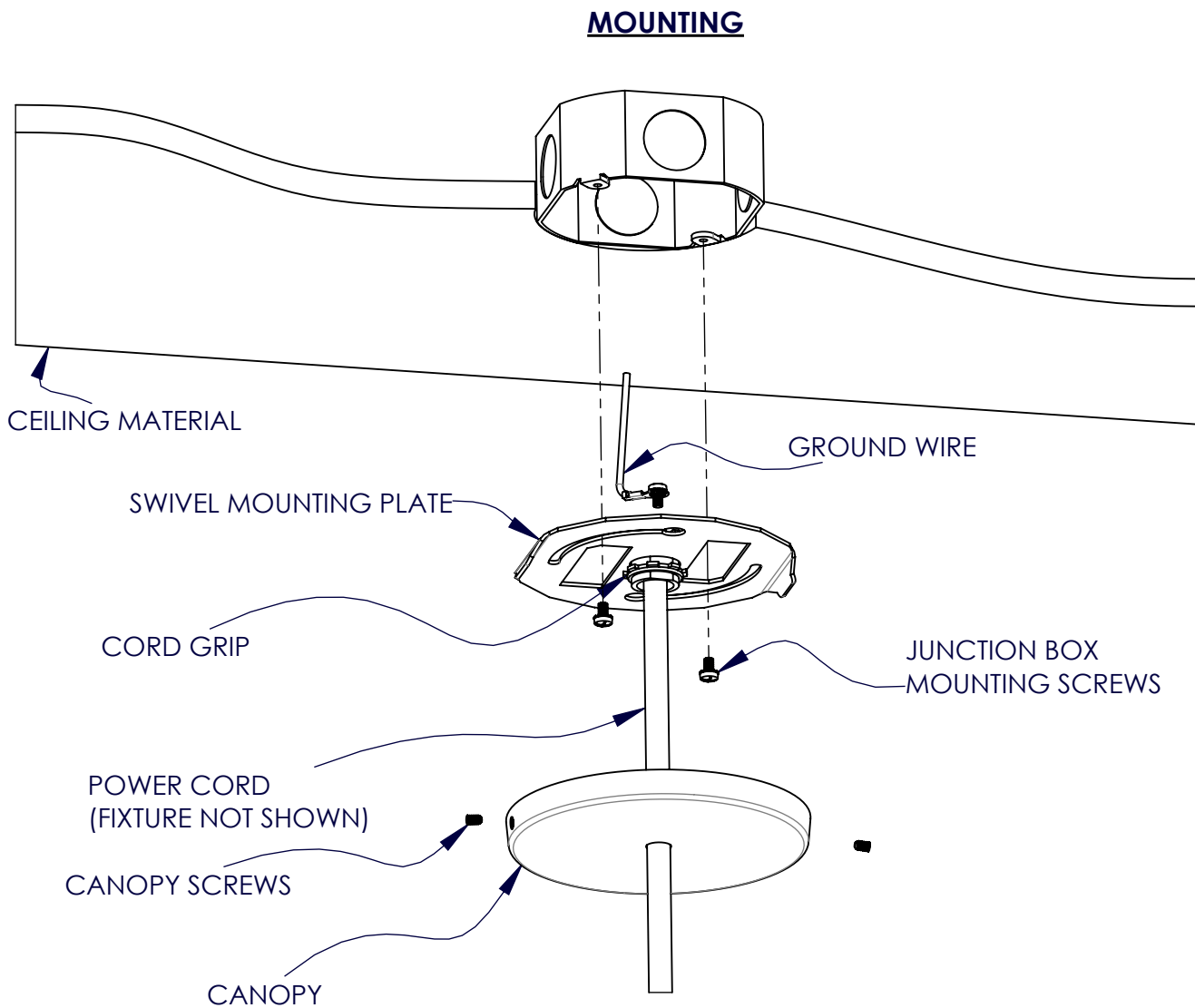
! When using electrical equipment, basic safety precautions should always be followed, including the following:

- Read all instructions carefully before installing and save for future use.
- Make sure all connections are in accordance with the National Electrical Code and local regulations.
- To avoid possible electric shock, be sure the power supply is turned off before servicing or installing the fixture.
- Service should be performed by qualified personnel.
- These instructions may not cover all details or variations. If additional information is needed, please contact Visa Lighting.

INSTALLATION INSTRUCTIONS

Model: **CP5720**
Fixture Family: **PEEK**
Document Description: Installation Instructions for PEEK
LED Series Luminaires

VISA LIGHTING
AN OLDENBURG GROUP COMPANY
1717 West Civic Drive Milwaukee, WI 53209
414-354-6600
Design Modification Rights Reserved
© Visa Lighting



Instructions -

- 1) Fasten swivel mounting plate to the junction box with 8-32 screws, swivel to desired orientation.
- 2) Make all wire connections per local and national codes.
- 3) Lift canopy in place and secure with screws provided.

NOTE: If AC and DMX wiring are brought into the same J-Box, then a suitable barrier must be installed to maintain separation of circuits -OR- the DMX wiring must be wired using class 1 wiring methods. (DMX splice box adaptor option available, see next page).

When using electrical equipment, basic safety precautions should always be followed, including the following:

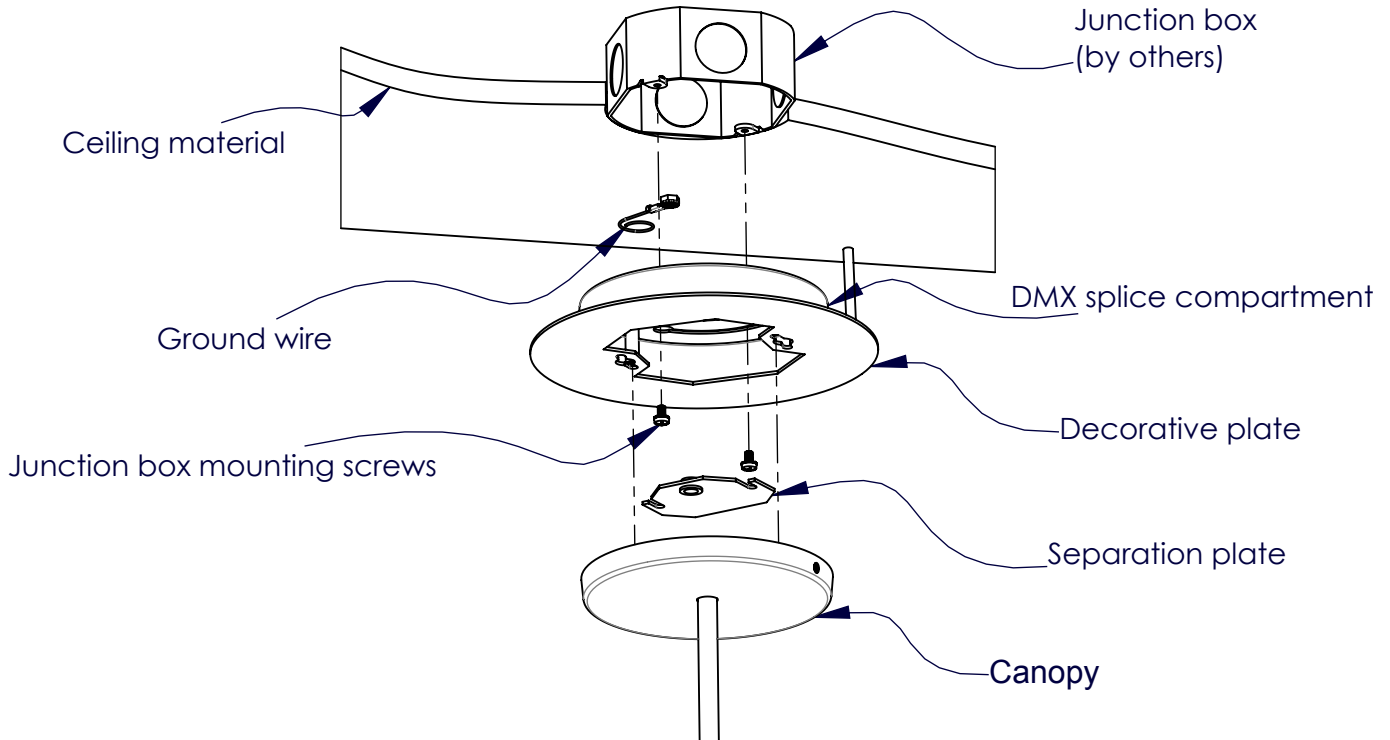
- Read all instructions carefully before installing and save for future use.
- Make sure all connections are in accordance with the National Electrical Code and local regulations.
- To avoid possible electric shock, be sure the power supply is turned off before servicing or installing the fixture.
- Service should be performed by qualified personnel.
- These instructions may not cover all details or variations. If additional information is needed, please contact Visa Lighting.

INSTALLATION INSTRUCTIONS

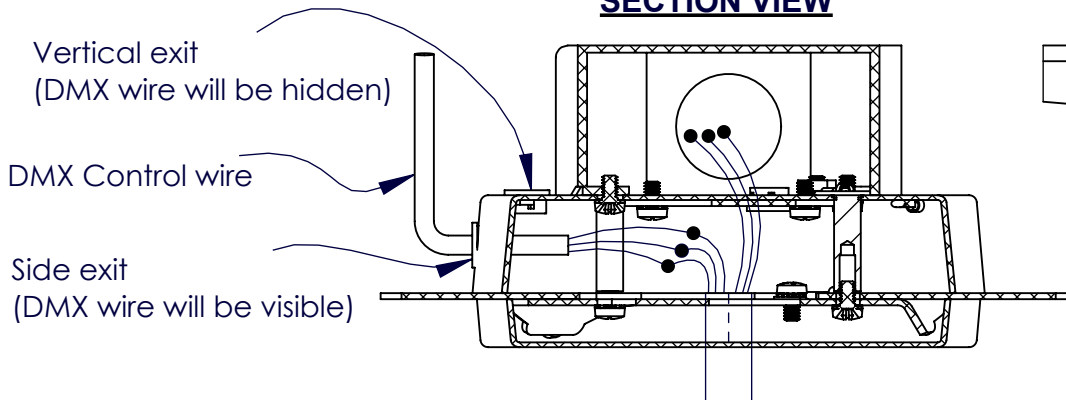
Model: **CP5720**
Fixture Family: **PEEK**
Document Description: Installation Instructions for PEEK
LED Series Luminaires

VISA LIGHTING
AN OLDENBURG GROUP COMPANY
1717 West Civic Drive Milwaukee, WI 53209
414-354-6600
Design Modification Rights Reserved
© Visa Lighting

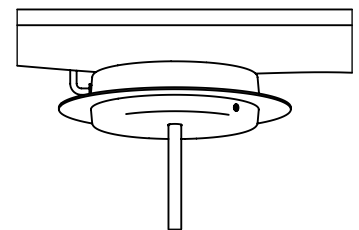
OPTION- DMX SPLICE BOX MOUNTING



SECTION VIEW



ISOMETRIC VIEW



Instructions -

- 1) Fasten DMX splice compartment to the junction box with 8-32 screws, swivel to desired orientation.
- 2) Feed wires through canopy, separation plate and decorative plate.
- 3) Make line voltage connections in the junction box before securing the separation plate.
- 4) Make DMX control connections inside the DMX splice compartment.
- 5) Route the DMX control wire outside the junction box using the side or vertical exits.
- 6) See fixture specific field instructions for installing the canopy.

When using electrical equipment, basic safety precautions should always be followed, including the following:

- Read all instructions carefully before installing and save for future use.
- Make sure all connections are in accordance with the National Electrical Code and local regulations.
- To avoid possible electric shock, be sure the power supply is turned off before servicing or installing the fixture.
- Service should be performed by qualified personnel.

• These instructions may not cover all details or variations. If additional information is needed, please contact Visa Lighting.

Drawing: 762053XX

Rev: B

Sheet: 3 of 4

Eng: AJM

Date Drawn: 2/19/16

INSTALLATION INSTRUCTIONS

Model: **CP5720**
Fixture Family: **PEEK**
Document Description: Installation Instructions for PEEK
LED Series Luminaires

VISA LIGHTING
AN OLDENBURG GROUP COMPANY
1717 West Civic Drive Milwaukee, WI 53209
414-354-6600
Design Modification Rights Reserved
© Visa Lighting

HOW TO REPLACE AN ACRYLIC

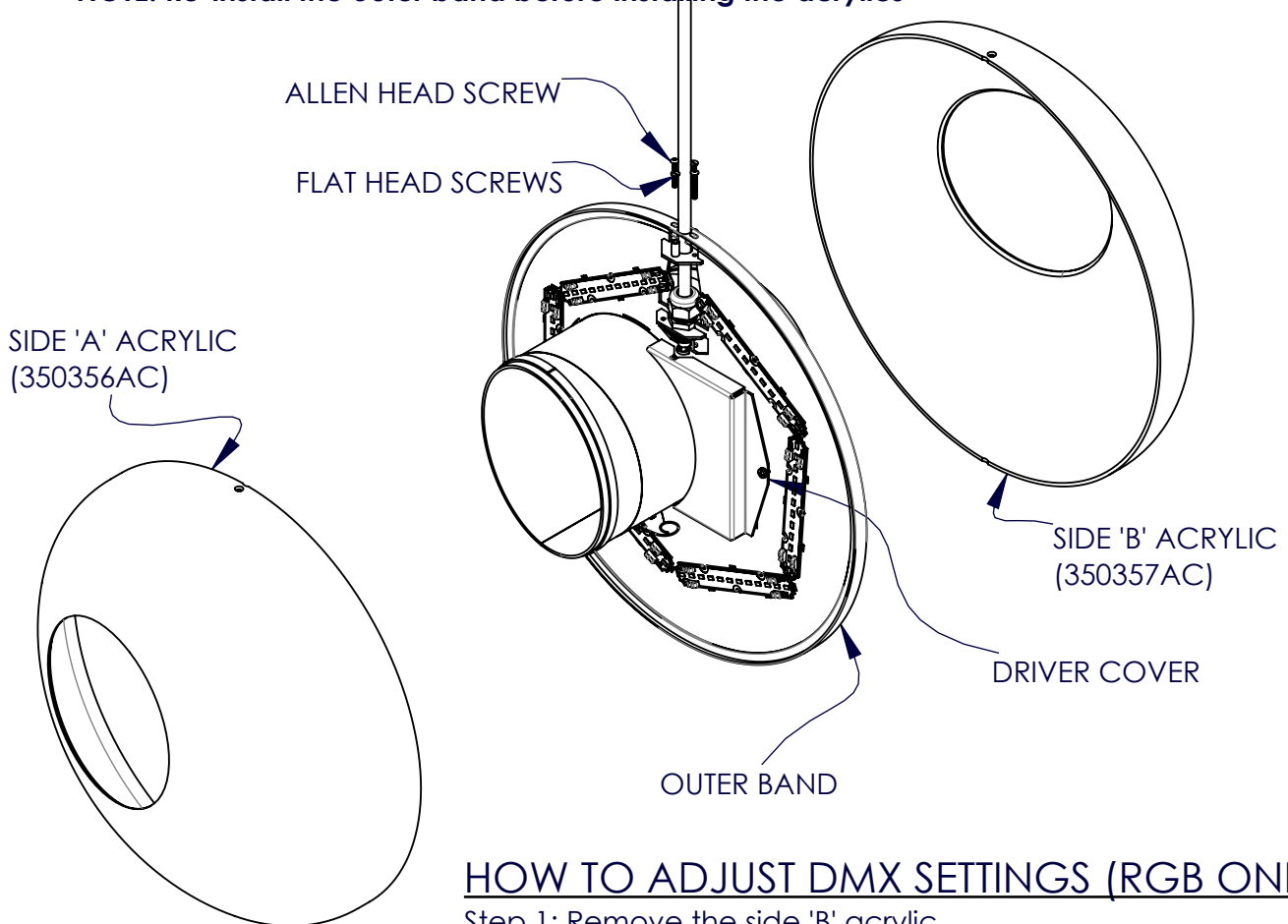
STEP 1: Take the fixture down from the ceiling

STEP 2: Remove the outer band by loosening (not removing) the two allen head screws

STEP 3: Remove the acrylic by removing the two flat head screws and pulling the acrylic off

Step 4: Replace the acrylic, re-install the fixture

NOTE: Re-install the outer band before installing the acrylics



HOW TO ADJUST DMX SETTINGS (RGB ONLY)

Step 1: Remove the side 'B' acrylic

Step 2: Adjust the DMX settings

Step 3: Re-install the side 'B' acrylic

HOW TO REPLACE A DRIVER

STEP 1: See 'HOW TO REPLACE AN ACRYLIC' above. Follow steps 1-3.

STEP 4: Remove the driver cover

STEP 5: Install new driver, re-install the fixture

NOTE: Install the outer band before installing the acrylics

Drawing: 762053XX

Rev: B

Sheet: 4 of 4

Eng: AJM

Date Drawn: 2/19/16



When using electrical equipment, basic safety precautions should always be followed, including the following:

- Read all instructions carefully before installing and save for future use.
- Make sure all connections are in accordance with the National Electrical Code and local regulations.
- To avoid possible electric shock, be sure the power supply is turned off before servicing or installing the fixture
- Service should be performed by qualified personnel.
- These instructions may not cover all details or variations. If additional information is needed, please contact Visa Lighting.