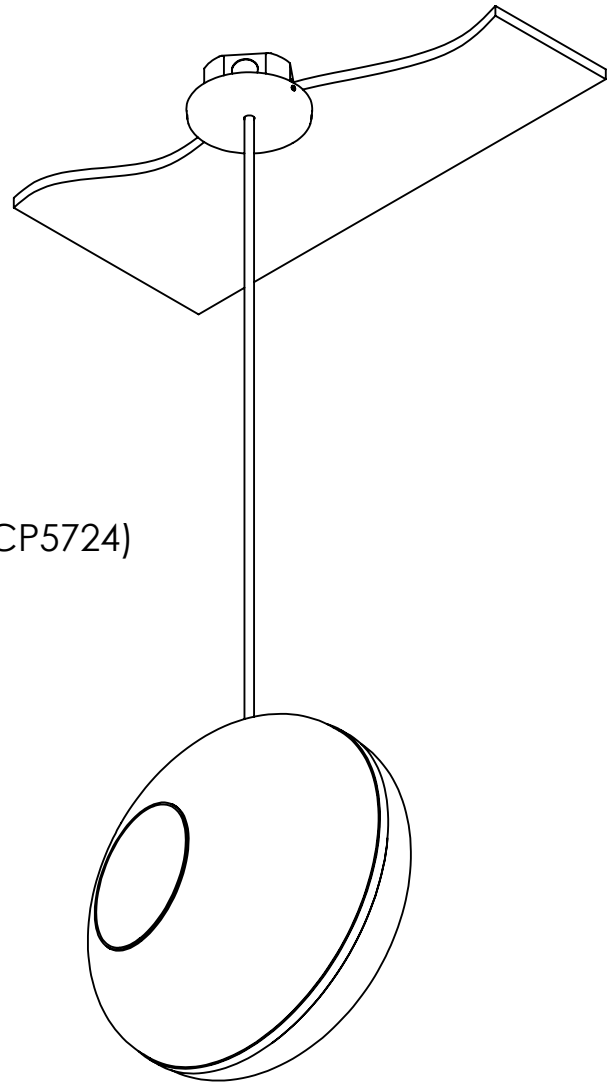


# INSTALLATION INSTRUCTIONS

Model: **CP5720**  
Fixture Family: **PEEK**  
Document Description: Installation Instructions for PEEK  
LED Series Luminaires

**VISA LIGHTING**  
AN OLDENBURG GROUP COMPANY  
1717 West Civic Drive Milwaukee, WI 53209  
414-354-6600  
Design Modification Rights Reserved  
© Visa Lighting



## PEEK CP5720, CP5722, CP5724

Pg 2 - CORD MOUNTING (CP5720)

Pg 3 - CABLE/CORD MOUNTING (CP5722, CP5724)

Pg 4 - MAINTENANCE

Drawing: 762053XX

Rev: C

Sheet: 1 of 4

Eng: AJM

Date Drawn: 2/19/16

**!** When using electrical equipment, basic safety precautions should always be followed, including the following:

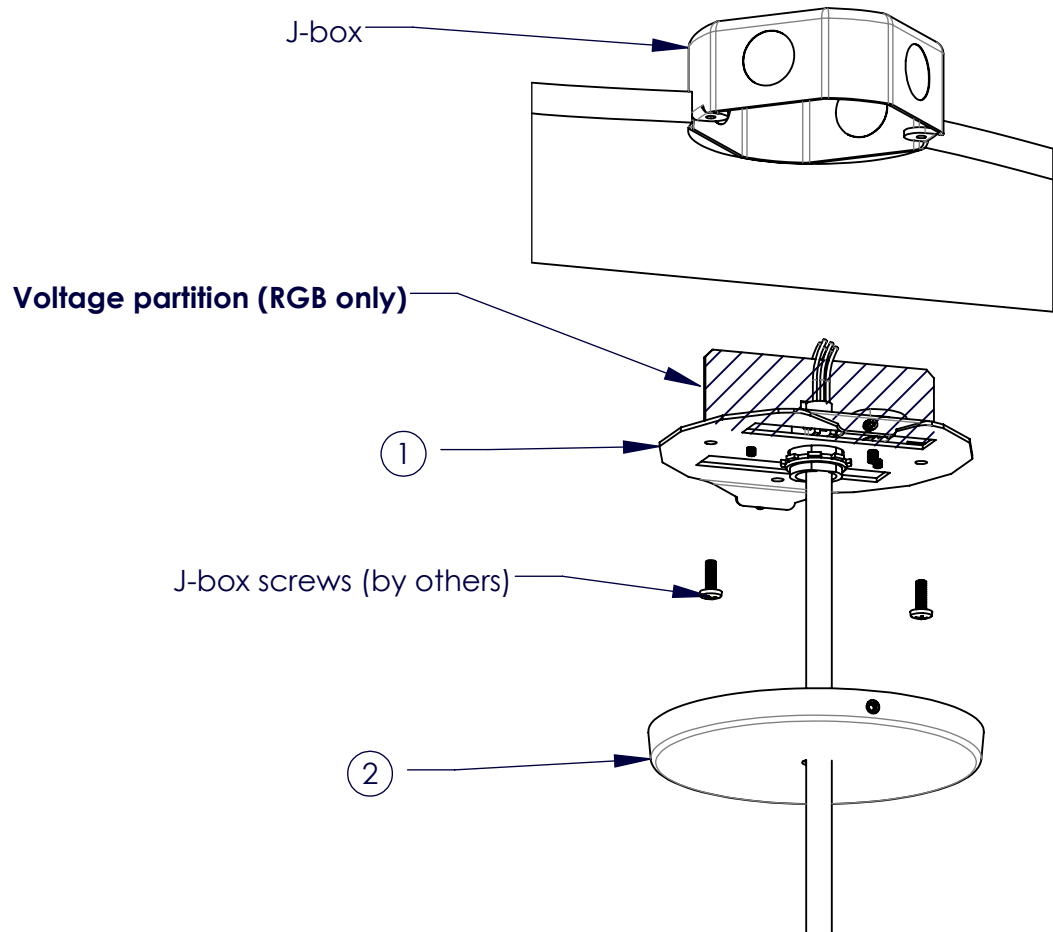
- Read all instructions carefully before installing and save for future use.
- Make sure all connections are in accordance with the National Electrical Code and local regulations.
- To avoid possible electric shock, be sure the power supply is turned off before servicing or installing the fixture.
- Service should be performed by qualified personnel.
- These instructions may not cover all details or variations. If additional information is needed, please contact Visa Lighting.

# INSTALLATION INSTRUCTIONS

Model: **CP5720**  
Fixture Family: **PEEK**  
Document Description: Installation Instructions for PEEK  
LED Series Luminaires

**VISA LIGHTING**  
AN OLDENBURG GROUP COMPANY  
1717 West Civic Drive Milwaukee, WI 53209  
414-354-6600  
Design Modification Rights Reserved  
© Visa Lighting

## Cord Installation



### Instructions -

- 1) Fasten mounting plate (1) to the J-box with the J-box screws (by others).
- 2) Lift canopy cover (2) in place and secure with screws provided.

**RGB Installation** - The voltage partition is provided for use with RGB fixture models and it is intended for use only with a standard 1-1/2" deep 4x4 Octagon electrical box - included with this product. The voltage partition is designed for those installations where the DMX control signals are classified as Class 2 per NEC code. Proper installation of this partition will assure separation by barrier means of Class 2 connections from branch power connections. Check with local electrical code authorities (AHJ) before removing the voltage partition or if using a different J-box is appropriate for this installation.

When using electrical equipment, basic safety precautions should always be followed, including the following:

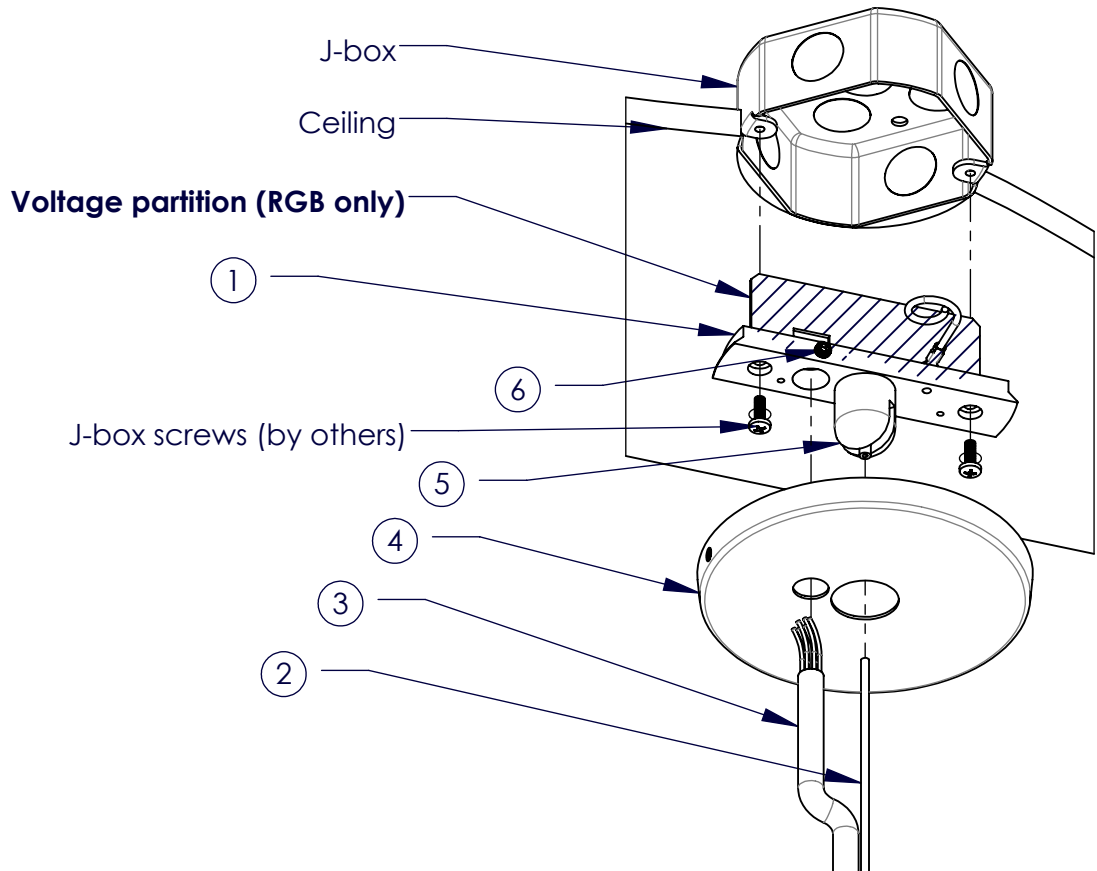
- Read all instructions carefully before installing and save for future use.
- Make sure all connections are in accordance with the National Electrical Code and local regulations.
- To avoid possible electric shock, be sure the power supply is turned off before servicing or installing the fixture.
- Service should be performed by qualified personnel.
- These instructions may not cover all details or variations. If additional information is needed, please contact Visa Lighting.

# INSTALLATION INSTRUCTIONS

Model: **CP5720**  
Fixture Family: **PEEK**  
Document Description: Installation Instructions for PEEK  
LED Series Luminaires

**VISA LIGHTING**  
AN OLDENBURG GROUP COMPANY  
1717 West Civic Drive Milwaukee, WI 53209  
414-354-6600  
Design Modification Rights Reserved  
© Visa Lighting

## Cable/Cord Installation



### Instructions -

- 1) Fasten mounting plate (1) to the J-box with the J-box screws (by others).
- 2) Pass cable (2) and cord (3) through canopy (4) and while lifting the fixture up, insert cable (2) into swivel (5).
- 3) Insert cord (3) into the hole in cross bar (1) and tighten the set screw (6) to secure it.
- 4) Lift canopy cover (4) in place and secure with screws provided.

**RGB Installation** - The voltage partition is provided for use with RGB fixture models and it is intended for use only with a standard 1-1/2" deep 4x4 Octagon electrical box - included with this product. The voltage partition is designed for those installations where the DMX control signals are classified as Class 2 per NEC code. Proper installation of this partition will assure separation by barrier means of Class 2 connections from branch power connections. Check with local electrical code authorities (AHJ) before removing the voltage partition or if using a different J-box is appropriate for this installation.

When using electrical equipment, basic safety precautions should always be followed, including the following:

- Read all instructions carefully before installing and save for future use.
- Make sure all connections are in accordance with the National Electrical Code and local regulations.
- To avoid possible electric shock, be sure the power supply is turned off before servicing or installing the fixture.
- Service should be performed by qualified personnel.
- These instructions may not cover all details or variations. If additional information is needed, please contact Visa Lighting.

Drawing: 762053XX

Rev: C

Sheet: 3 of 4

Eng: AJM

Date Drawn: 2/19/16

# INSTALLATION INSTRUCTIONS

Model: CP5720  
Fixture Family: PEEK  
Document Description: Installation Instructions for PEEK  
LED Series Luminaires

**VISA LIGHTING**  
AN OLDENBURG GROUP COMPANY  
1717 West Civic Drive Milwaukee, WI 53209  
414-354-6600  
Design Modification Rights Reserved  
© Visa Lighting

## Maintenance

### HOW TO REPLACE A LENS

- 1) Take the fixture down from the ceiling
- 2) Separate the lens by removing the two flat head screws and pulling the lens off
- 3) Replace the lens, reinstall the fixture

### HOW TO REPLACE A DRIVER

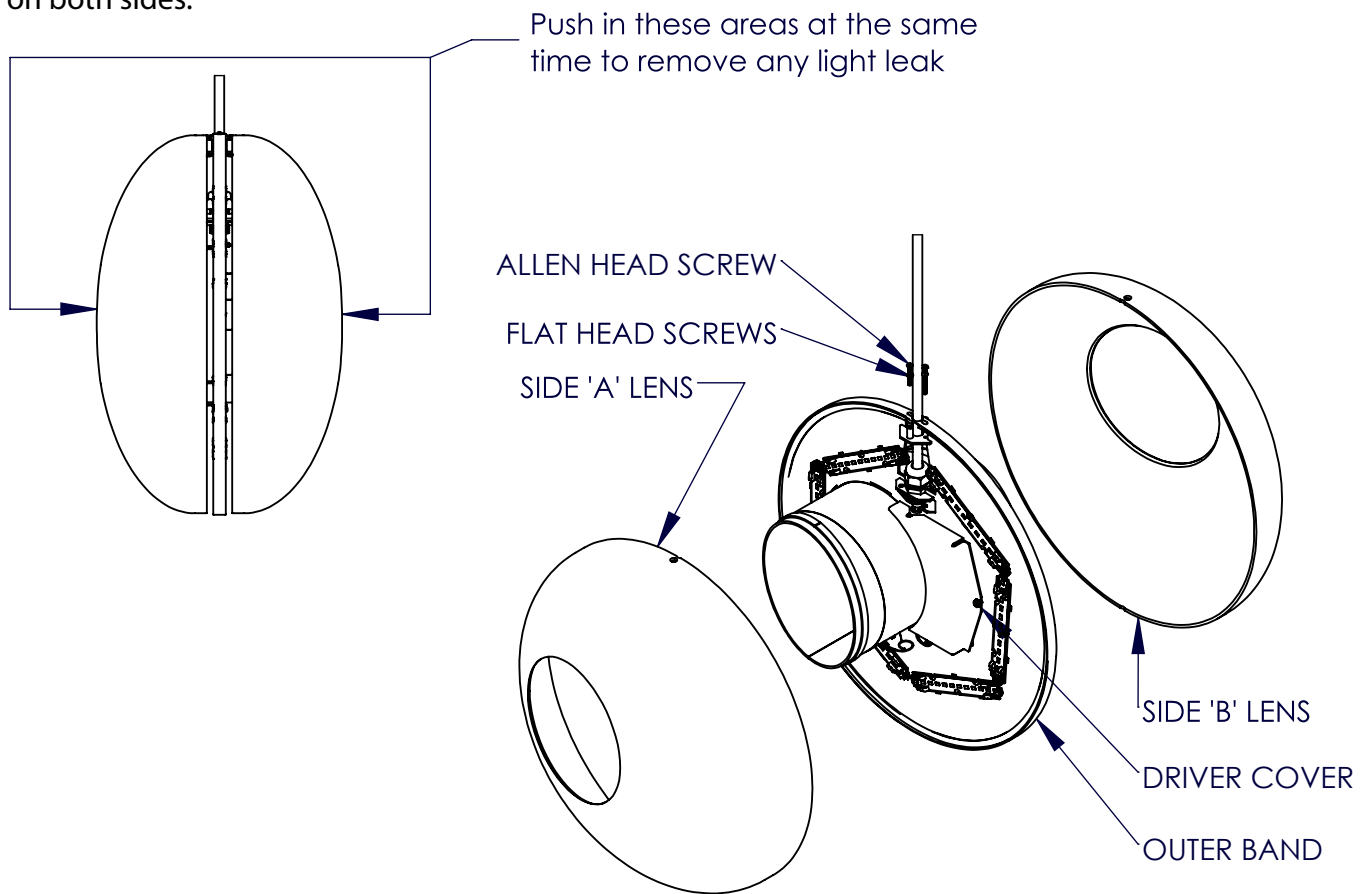
- 1) See 'HOW TO REPLACE A LENS' above
- 2) Remove the driver cover
- 3) Install new driver, reinstall the fixture

### HOW TO ADJUST DMX SETTINGS (RGB ONLY)

-The controller has RDM functionality and can be digitally addressed

### During Installation:

- DO NOT REMOVE FILM (wrapped around the acrylics) UNTIL AFTER FIXTURE IS INSTALLED
- After removing the film inspect outer trim for any light leaks. If they exist, push the lens together at the same time while keeping the center tube sticking out the same amount on both sides.



When using electrical equipment, basic safety precautions should always be followed, including the following:

- Read all instructions carefully before installing and save for future use.
- Make sure all connections are in accordance with the National Electrical Code and local regulations.
- To avoid possible electric shock, be sure the power supply is turned off before servicing or installing the fixture
- Service should be performed by qualified personnel.
- These instructions may not cover all details or variations. If additional information is needed, please contact Visa Lighting.

Drawing: 762053XX

Rev: C

Sheet: 4 of 4

Eng: AJM

Date Drawn: 2/19/16