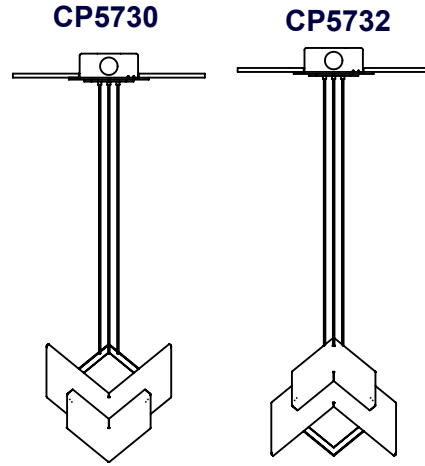


INSTALLATION INSTRUCTIONS

Model: **CP5730,CP5732**
 Fixture Family: **PETAL**
 Document Description: Installation Instructions for
 OLED Series Luminaires

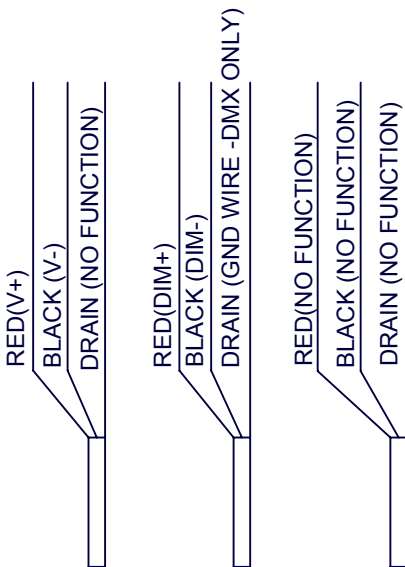
VISA LIGHTING
 AN OLDENBURG GROUP COMPANY
 1717 West Civic Drive Milwaukee, WI 53209
 414-354-6600
 Design Modification Rights Reserved
 © Visa Lighting

PAGE 1 - MOUNTING INSTRUCTIONS
PAGE 2 - REFERENCE MAINTENANCE FEATURES

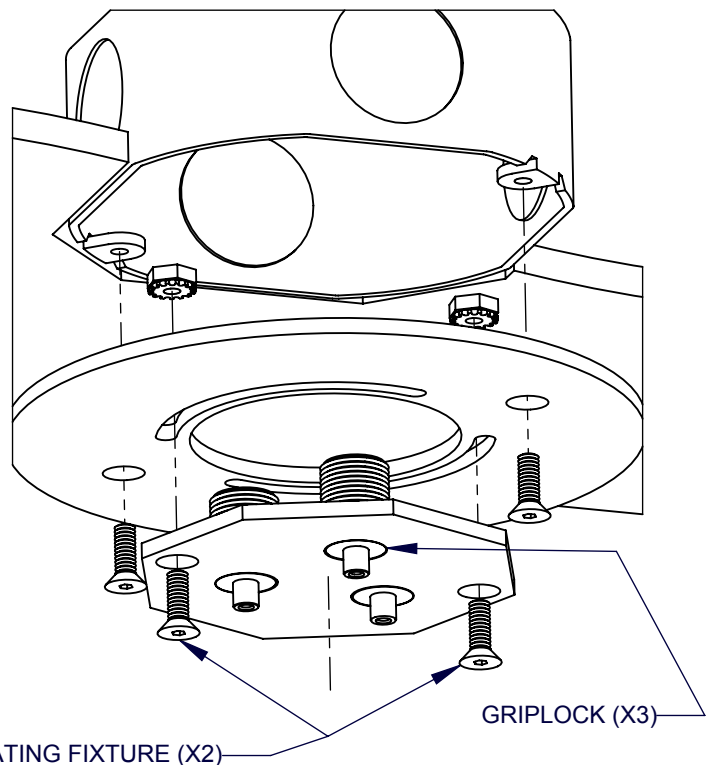


MOUNTING FIXTURE (This fixture is low voltage):

- For typical applications mount to a 4X4 J-Box
- The fixture will arrive with the canopy mounted to the power cords
- Confirm the overall height and that the length of the three power cords is the same to insure it hangs straight
- If the power cord length needs adjusting, push up on the tip of the Griplock to loosen its grip
- Before mounting to junction box, rotate to desired angle and tighten the inner screw/nut combination
- Connect the power wires to the remote power supply (24V Source not included)
- Connect the dimming wires to the dimming control or cap them off
- Mount the fixture to the junction box with the painted screws provided
- Twist the Griplock in the canopy to remove twists in the power cords if the fixture is not hanging straight



WIRING FUNCTIONS
2 CONDUCTION +DRAIN WIRE (X3)
(WIRES WILL BE LABELED)



Drawing: 762055XX

Rev: A

Sheet: 1 of 2

Eng: ALEX

Date Drawn: 6/13/16

! When using electrical equipment, basic safety precautions should always be followed, including the following:

- Read all instructions carefully before installing and save for future use.
- Make sure all connections are in accordance with the National Electrical Code and local regulations.
- To avoid possible electric shock, be sure the power supply is turned off before servicing or installing the fixture
- Service should be performed by qualified personnel.
- These instructions may not cover all details or variations. If additional information is needed, please contact Visa Lighting.

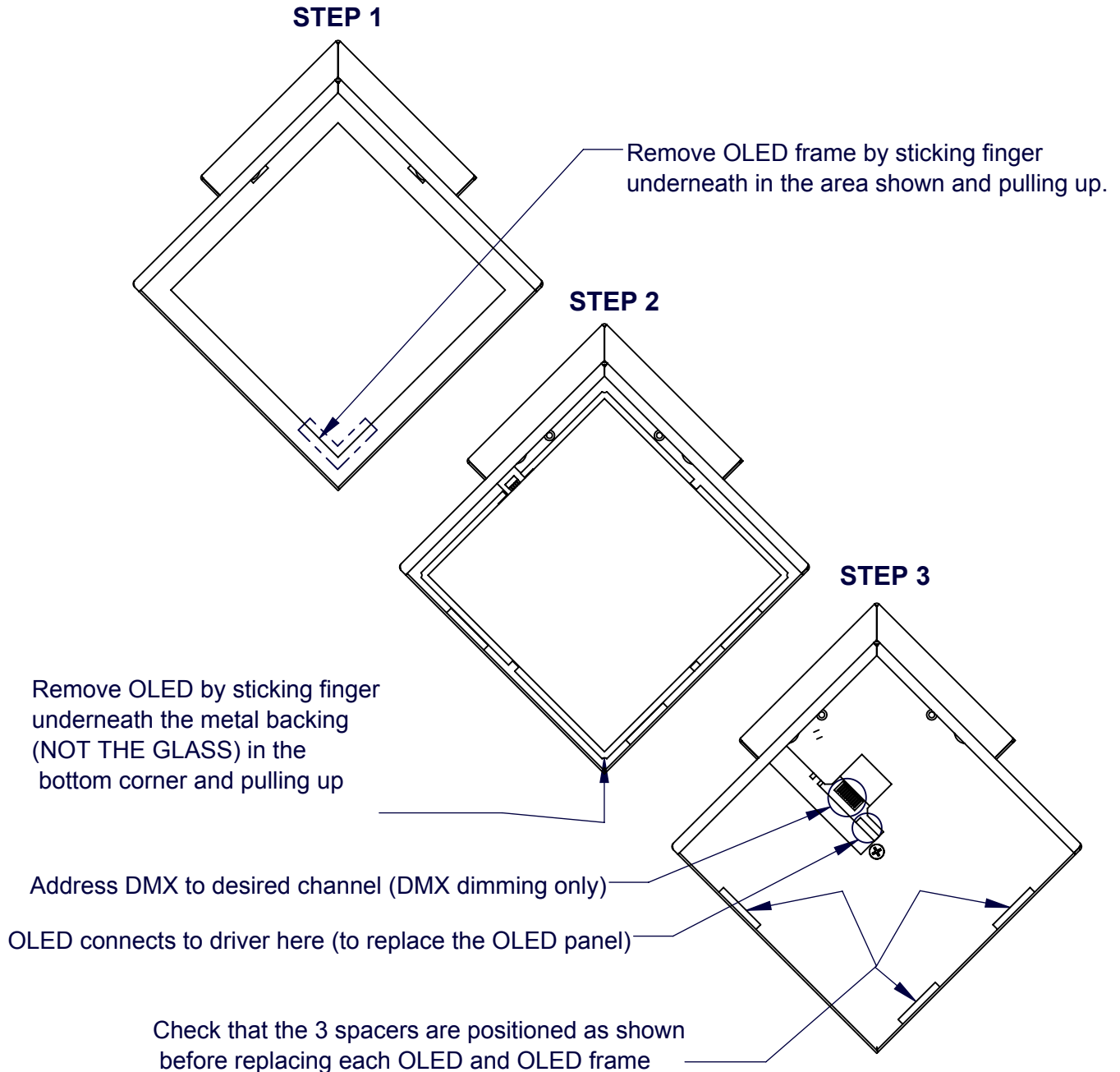
INSTALLATION INSTRUCTIONS

Model: **CP5730,CP5732**
Fixture Family: **PETAL**
Document Description: Installation Instructions for
OLED Series Luminaires

VISA LIGHTING
AN OLDENBURG GROUP COMPANY
1717 West Civic Drive Milwaukee, WI 53209
414-354-6600
Design Modification Rights Reserved
© Visa Lighting

MAINTENANCE FEATURES:

- Instructions are the same for all 3 sides
- DMX drivers are field addressable (-DMX dimming only)
- OLED panels are field replaceable



Drawing: 762055XX

Rev: A

Sheet: 2 of 2

Eng: ALEX

Date Drawn: 6/13/16



When using electrical equipment, basic safety precautions should always be followed, including the following:

- Read all instructions carefully before installing and save for future use.
- Make sure all connections are in accordance with the National Electrical Code and local regulations.
- To avoid possible electric shock, be sure the power supply is turned off before servicing or installing the fixture.
- Service should be performed by qualified personnel.
- These instructions may not cover all details or variations. If additional information is needed, please contact Visa Lighting.