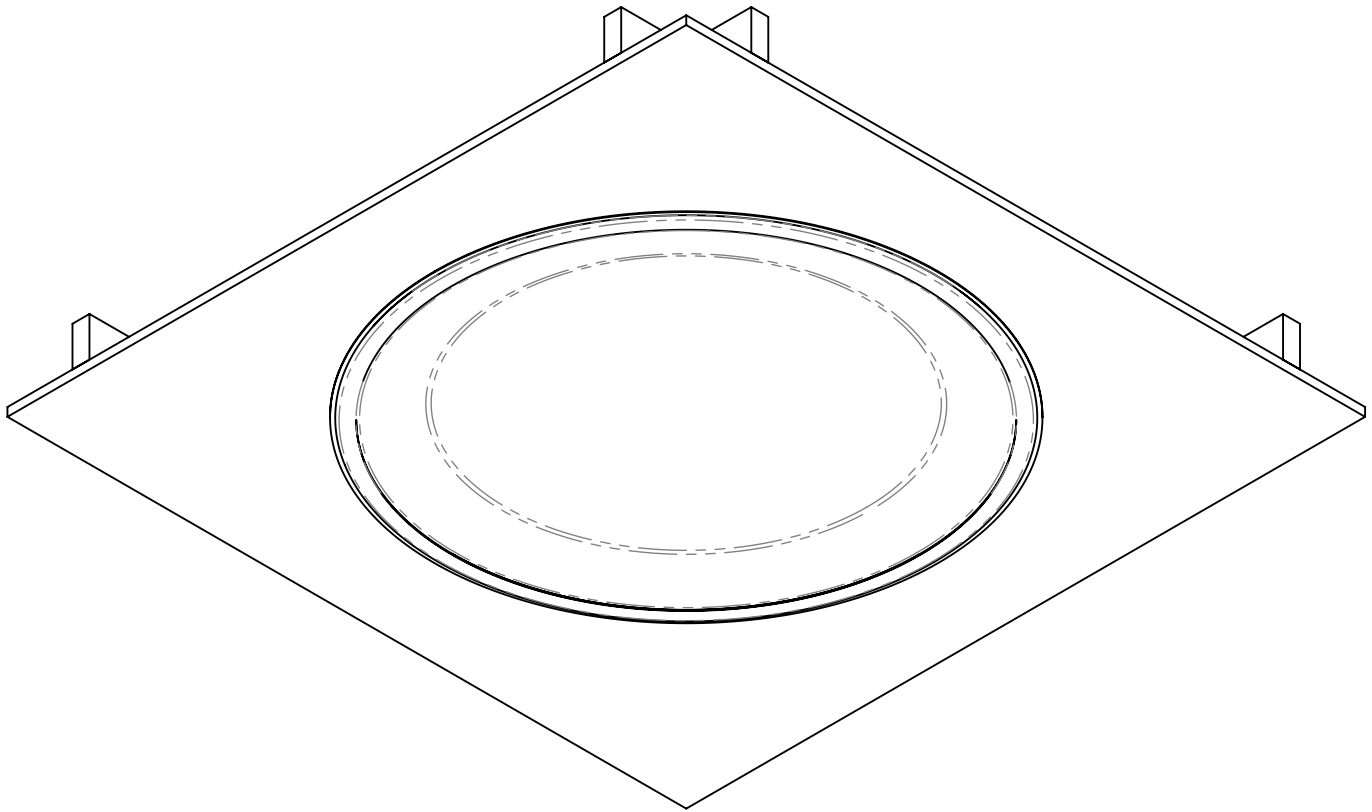


# INSTALLATION INSTRUCTIONS

Model: **CM1970-W, CM1972-W, CM1972-T**  
Fixture Family: **SYMMETRY**  
Document Description: Installation Instructions for  
Symmetry Series Luminaires

**VISA LIGHTING**  
AN OLDENBURG GROUP COMPANY  
1717 West Civic Drive Milwaukee, WI 53209  
414-354-6600  
Design Modification Rights Reserved  
© Visa Lighting



## SYMMETRY

CM1970-W  
CM1972-W  
CM1972-T

Drawing: 762262XX

Rev: A

Sheet: 1 of 6

Eng: CG2

Date Drawn: 1/11/17

**!** When using electrical equipment, basic safety precautions should always be followed, including the following:

- Read all instructions carefully before installing and save for future use.
- Make sure all connections are in accordance with the National Electrical Code and local regulations.
- To avoid possible electric shock, be sure the power supply is turned off before servicing or installing the fixture.
- Service should be performed by qualified personnel.
- These instructions may not cover all details or variations. If additional information is needed, please contact Visa Lighting.

# INSTALLATION INSTRUCTIONS

Model: **CM1970-W, CM1972-W, CM1972-T**  
Fixture Family: **SYMMETRY**  
Document Description: Installation Instructions for  
Symmetry Series Luminaires

**VISA LIGHTING**  
AN OLDENBURG GROUP COMPANY  
1717 West Civic Drive Milwaukee, WI 53209  
414-354-6600  
Design Modification Rights Reserved  
© Visa Lighting

Drawing: 762262XX

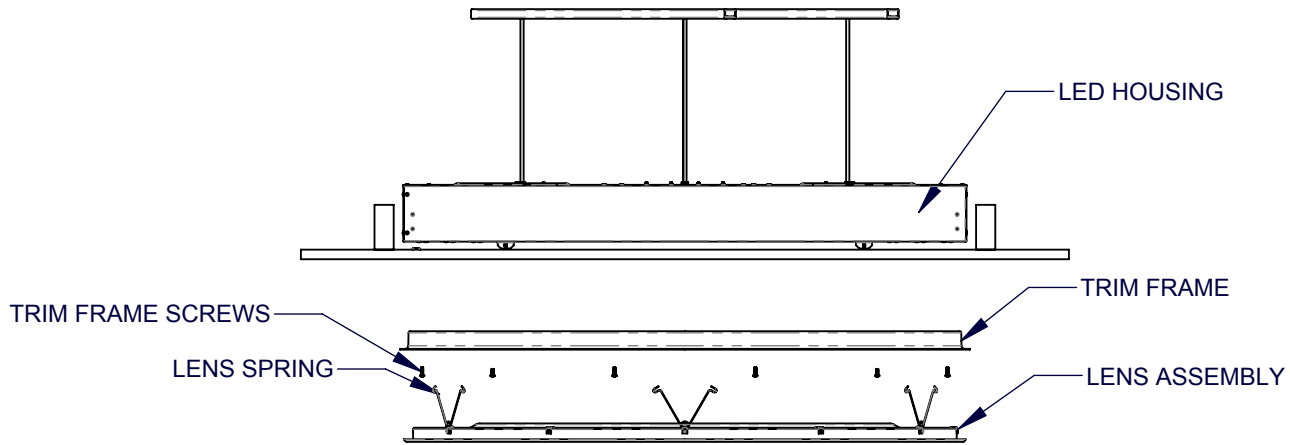
Rev: A

Sheet: 2 of 6

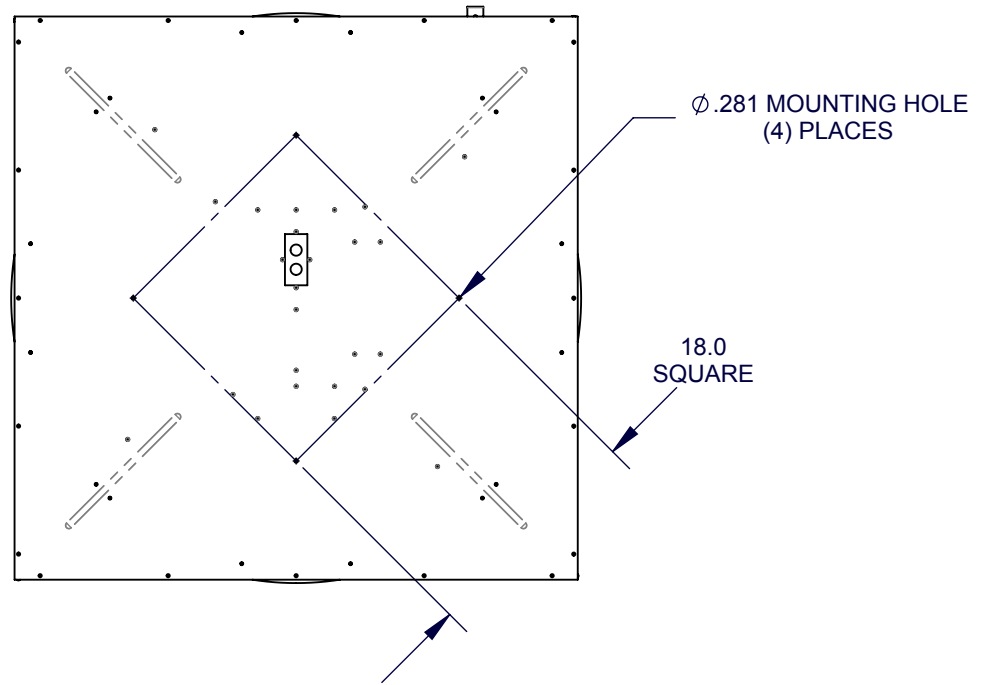
Eng: CG2

Date Drawn: 1/11/17

## LENS AND TRIM FRAME ASSEMBLY



## Mounting Hole Layout



When using electrical equipment, basic safety precautions should always be followed, including the following:

- Read all instructions carefully before installing and save for future use.
- Make sure all connections are in accordance with the National Electrical Code and local regulations.
- To avoid possible electric shock, be sure the power supply is turned off before servicing or installing the fixture.
- Service should be performed by qualified personnel.
- These instructions may not cover all details or variations. If additional information is needed, please contact Visa Lighting.

# INSTALLATION INSTRUCTIONS

Model: **CM1970-W, CM1972-W, CM1972-T**  
Fixture Family: **SYMMETRY**  
Document Description: Installation Instructions for  
Symmetry Series Luminaires

**VISA LIGHTING**  
AN OLDENBURG GROUP COMPANY  
1717 West Civic Drive Milwaukee, WI 53209  
414-354-6600  
Design Modification Rights Reserved  
© Visa Lighting 2016

Drawing: 762262XX

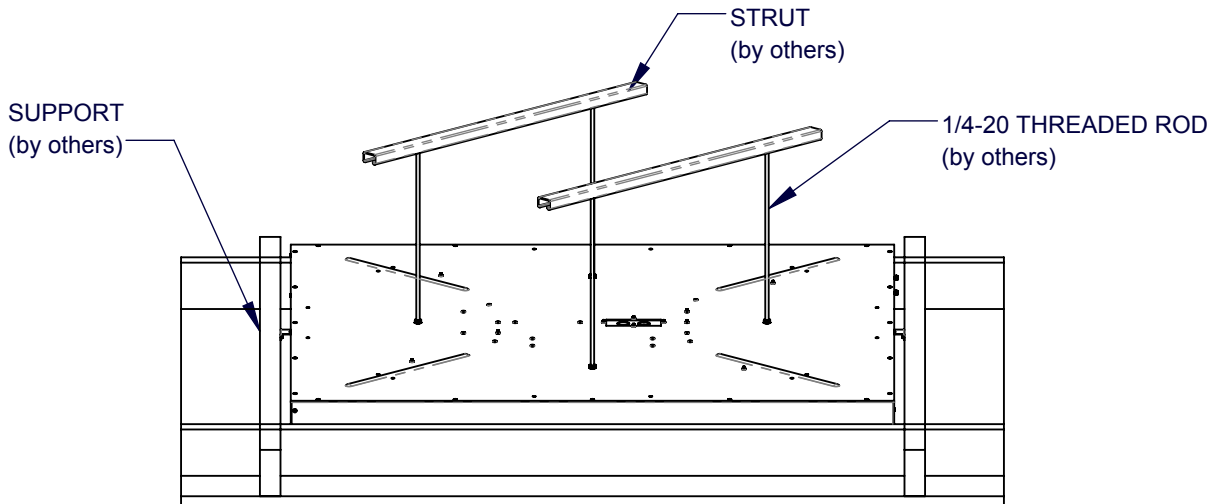
Rev: A

Sheet: 3 of 6

Eng: CG2

Date Drawn: 1/11/17

## SHEETROCK INSTALLATION:



**\* Note: This fixture is supported from the structure above the sheetrock ceiling.**

1. Provide a framed opening for centering the fixture. The LED housing opening should measure between 44-1/2" and 48" square. This will help support the fixture when it is fully installed.
2. Remove lens and trim frame. Re-attach the trim frame screws to the LED housing for use later. The lens and trim frame are not re-installed until all sheetrock work is completed.
3. Remove driver/wiring cover.
4. Secure the fixture to the structure above using threaded rod and nuts into the (4)  $\phi$ .281 holes provided (see page 2). Make sure to locate the fixture so the bottom of the square housing is 1-3/8" (+0.00"/-0.125") above the bottom of the finished surface. **NOTE:** Adjustment to the fixture height is done by raising or lowering the fixture using the threaded rods. Do not fully tighten the fixture yet.
5. Make all the electrical connections required and following local codes that apply.
6. Re-attach driver/wiring cover.
7. Complete sheetrock installation. **NOTE:** Protect LEDs during sheetrock installation and finishing.
8. Once sheetrock is completed, cut circular opening for trim frame. **NOTE:** Opening diameter to be 43.75" to 44.25".
9. Remove trim frame screws and re-attach the trim frame to the housing. **NOTE:** If the trim frame is not flush with sheet rock, raise or lower fixture at the threaded rod.
10. Re-attach the lens assembly.

When using electrical equipment, basic safety precautions should always be followed, including the following:

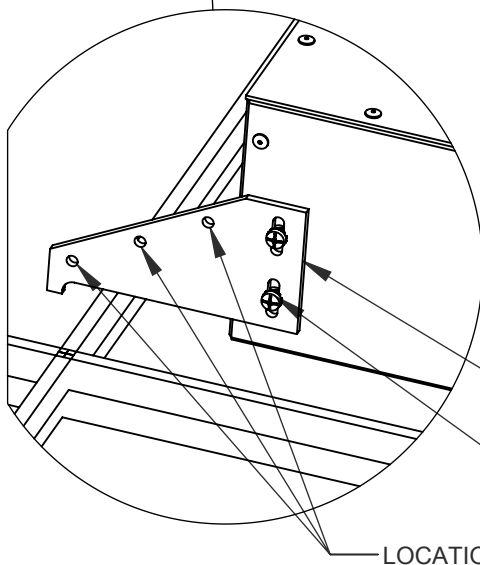
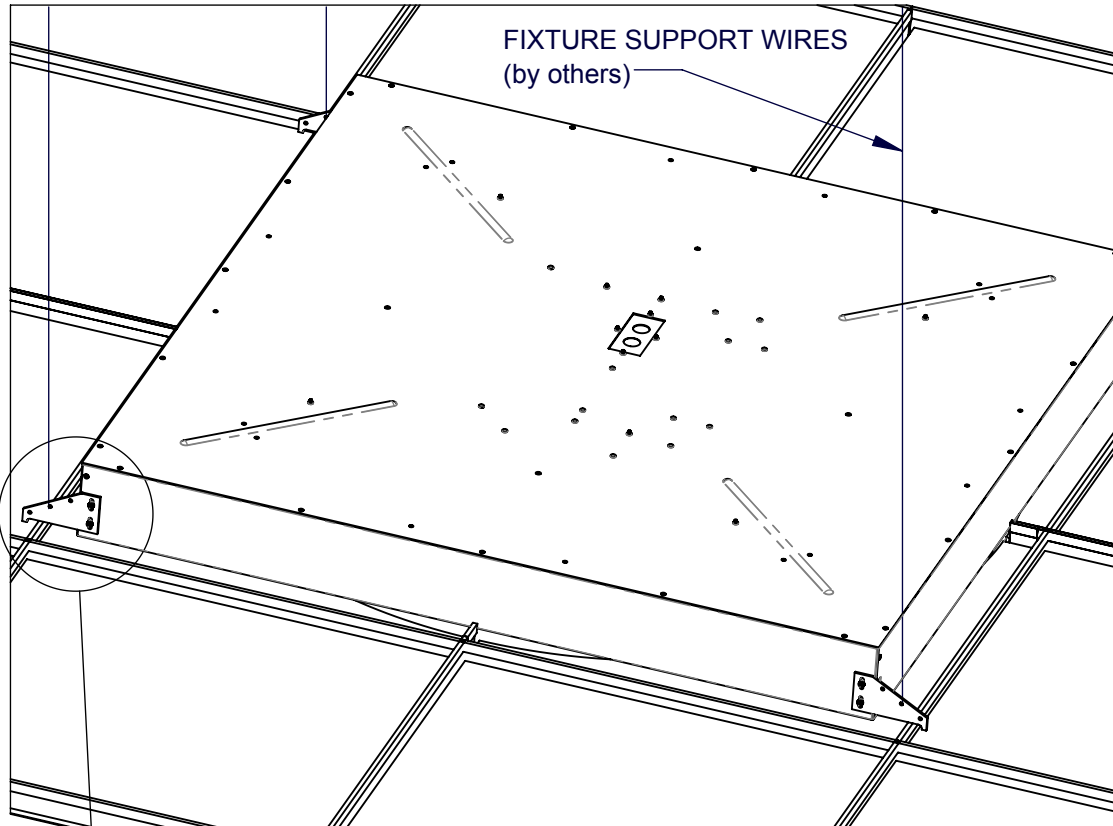
- Read all instructions carefully before installing and save for future use.
- Make sure all connections are in accordance with the National Electrical Code and local regulations.
- To avoid possible electric shock, be sure the power supply is turned off before servicing or installing the fixture.
- Service should be performed by qualified personnel.
- These instructions may not cover all details or variations. If additional information is needed, please contact Visa Lighting.

# INSTALLATION INSTRUCTIONS

Model: **CM1970-W, CM1972-W, CM1972-T**  
Fixture Family: **SYMMETRY**  
Document Description: Installation Instructions for  
Symmetry Series Luminaires

**VISA LIGHTING**  
AN OLDENBURG GROUP COMPANY  
1717 West Civic Drive Milwaukee, WI 53209  
414-354-6600  
Design Modification Rights Reserved  
© Visa Lighting

## T-BAR GRID INSTALLATION:



1. Attach the T-bar brackets to each of the (4) corners using the provided screws.
2. Install the fixture in the T-bar grid system by lifting the fixture through the opening and lowering it onto the T-bar grid.
3. Adjust the corner brackets so the bottom of the round trim ring is at the same height as the bottom of the T-Bars.
4. Support the fixture with wires attached to the building structure on all (4) corners.

T-BAR BRACKET

T-BAR SCREWS (2)

LOCATIONS FOR SUPPORT WIRE

Drawing: 762262XX

Rev: A

Sheet: 4 of 6

Eng: CG2

Date Drawn: 1/11/17

When using electrical equipment, basic safety precautions should always be followed, including the following:

- Read all instructions carefully before installing and save for future use.
- Make sure all connections are in accordance with the National Electrical Code and local regulations.
- To avoid possible electric shock, be sure the power supply is turned off before servicing or installing the fixture.
- Service should be performed by qualified personnel.

• These instructions may not cover all details or variations. If additional information is needed, please contact Visa Lighting.

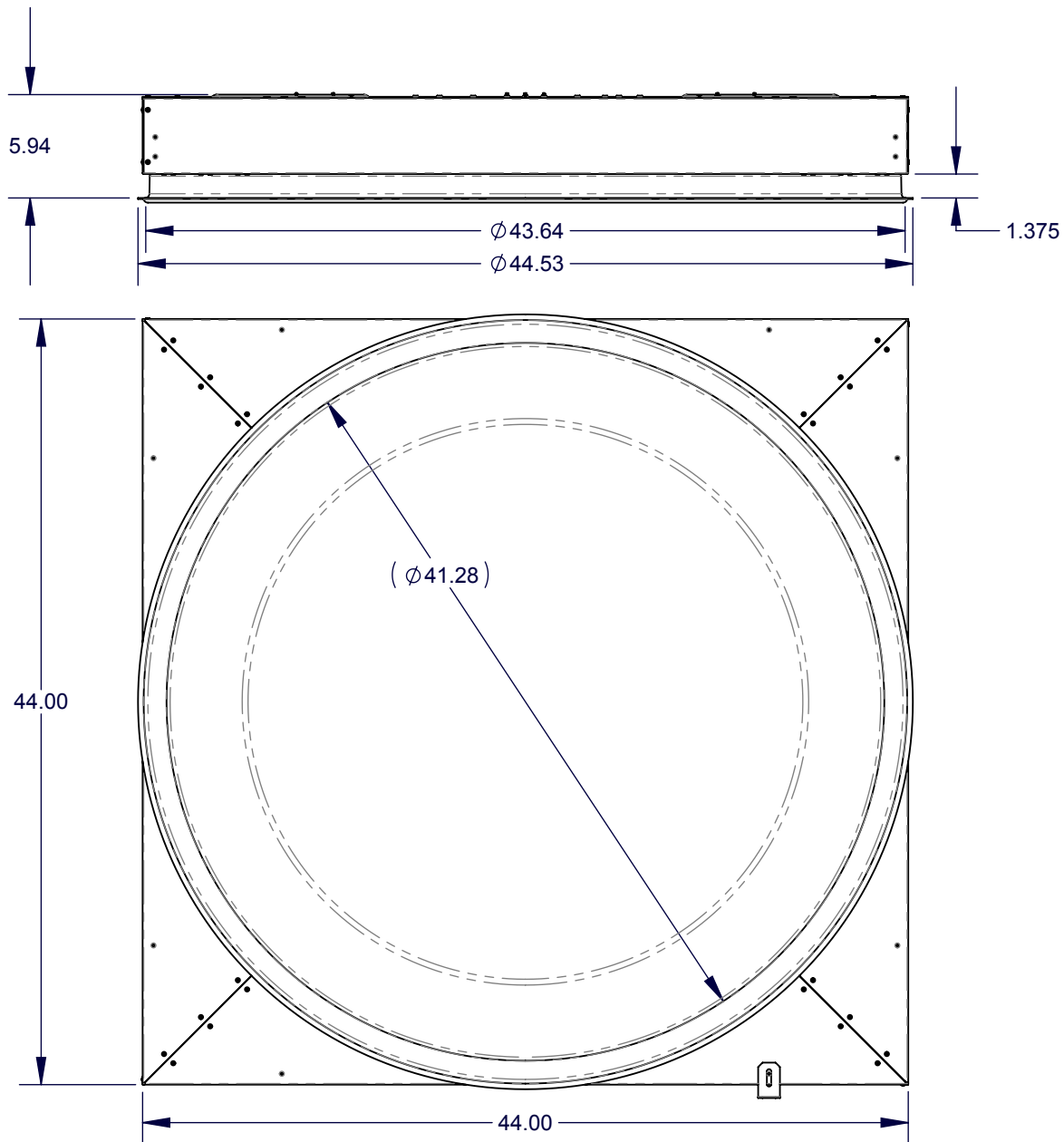
# INSTALLATION INSTRUCTIONS

Model: **CM1970-W, CM1972-W, CM1972-T**  
Fixture Family: **SYMMETRY**  
Document Description: Installation Instructions for  
Symmetry Series Luminaires

## Wiring Instructions - Over Bed Units

1. All AC inputs to fixture must be supplied from the same branch circuit.
2. AMBIENT LINE and EXAM LINE must both be energized to achieve EXAM light levels on patient bed surface.

## Dimensions:



Drawing: 762262XX

Rev: A

Sheet: 5 of 6

Eng: CG2

Date Drawn: 1/11/17

When using electrical equipment, basic safety precautions should always be followed, including the following:

- Read all instructions carefully before installing and save for future use.
- Make sure all connections are in accordance with the National Electrical Code and local regulations.
- To avoid possible electric shock, be sure the power supply is turned off before servicing or installing the fixture.
- Service should be performed by qualified personnel.

• These instructions may not cover all details or variations. If additional information is needed, please contact Visa Lighting.

# INSTALLATION INSTRUCTIONS

Model: **CM1970-W, CM1972-W, CM1972-T**  
Fixture Family: **SYMMETRY**  
Document Description: Installation Instructions for  
Symmetry Series Luminaires

 **VISA LIGHTING**  
AN OLDENBURG GROUP COMPANY  
1717 West Civic Drive Milwaukee, WI 53209  
414-354-6600  
Design Modification Rights Reserved  
© Visa Lighting

## CM1972-T - TUNABLE WHITE

### Technical Information:

Each Symmetry Tunable White unit is built using two Lumenetix Araya LED kits. Fixtures are to be commissioned using the [Araya Tunable Color iOS APP](#) found in the App Store. When commissioning, combine the two kits into one group for best performance.

### DMX Color Output Guide:

CCT	CRI	R9	Delivered Lumens	Power (Watts)	DMX Value
1650	91	82	3600	68	0
2700	93	99	7200	110	44
3000	91	94	8400	128	57
3500	90	91	10300	156	79
4000	90	93	10300	158	101
5000	90	77	10400	158	138
6500	90	76	10100	159	195
8000	89	70	8500	135	255

Drawing: 762262XX

Rev: A

Sheet: 6 of 6

Eng: CG2

Date Drawn: 1/11/17

 When using electrical equipment, basic safety precautions should always be followed, including the following:

- Read all instructions carefully before installing and save for future use.
- Make sure all connections are in accordance with the National Electrical Code and local regulations.
- To avoid possible electric shock, be sure the power supply is turned off before servicing or installing the fixture.
- Service should be performed by qualified personnel.
- These instructions may not cover all details or variations. If additional information is needed, please contact Visa Lighting.