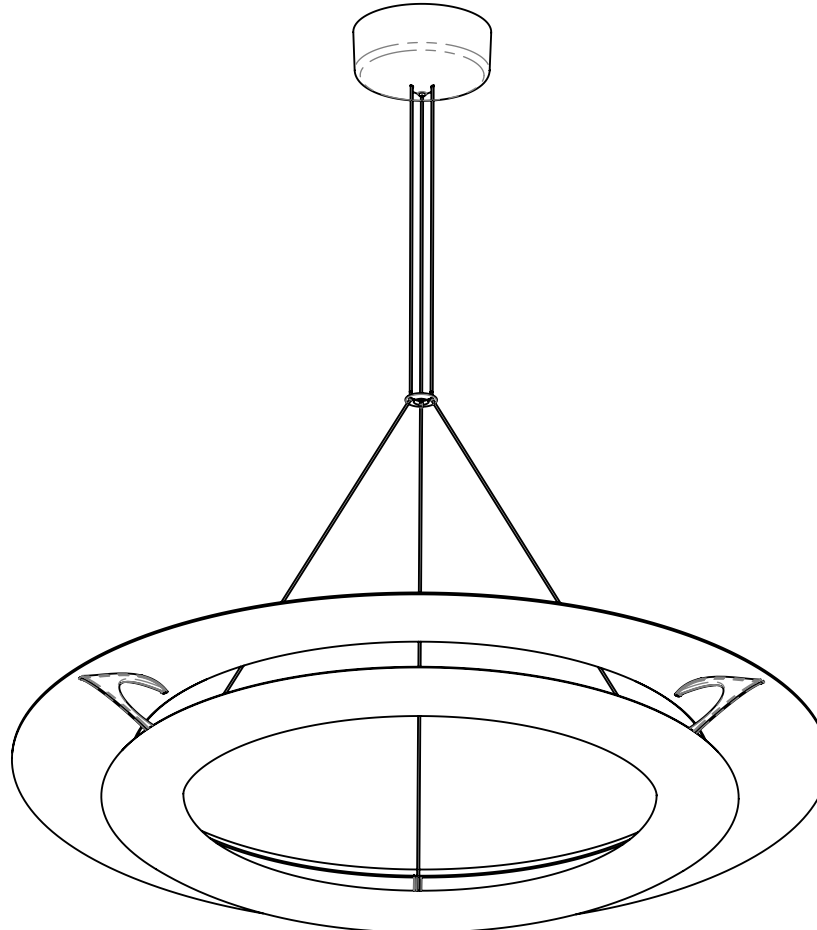


# INSTALLATION INSTRUCTIONS

Model: **CP1325**  
Fixture Family: **COSMO**  
Document Description: Installation Instructions for Cosmo Pendant  
CP1325 Series Luminaires

**VISA LIGHTING**  
AN OLDENBURG GROUP COMPANY  
1717 West Civic Drive Milwaukee, WI 53209  
414-354-6600  
Design Modification Rights Reserved  
© Visa Lighting



## COSMO

## CP1325

Drawing: 762269XX

Rev: A

Sheet: 1 of 2

Eng: CG2

Date Drawn: 5/1/17



When using electrical equipment, basic safety precautions should always be followed, including the following:

- Read all instructions carefully before installing and save for future use.
- Make sure all connections are in accordance with the National Electrical Code and local regulations.
- To avoid possible electric shock, be sure the power supply is turned off before servicing or installing the fixture.
- Service should be performed by qualified personnel.

• These instructions may not cover all details or variations. If additional information is needed, please contact Visa Lighting.

# INSTALLATION INSTRUCTIONS

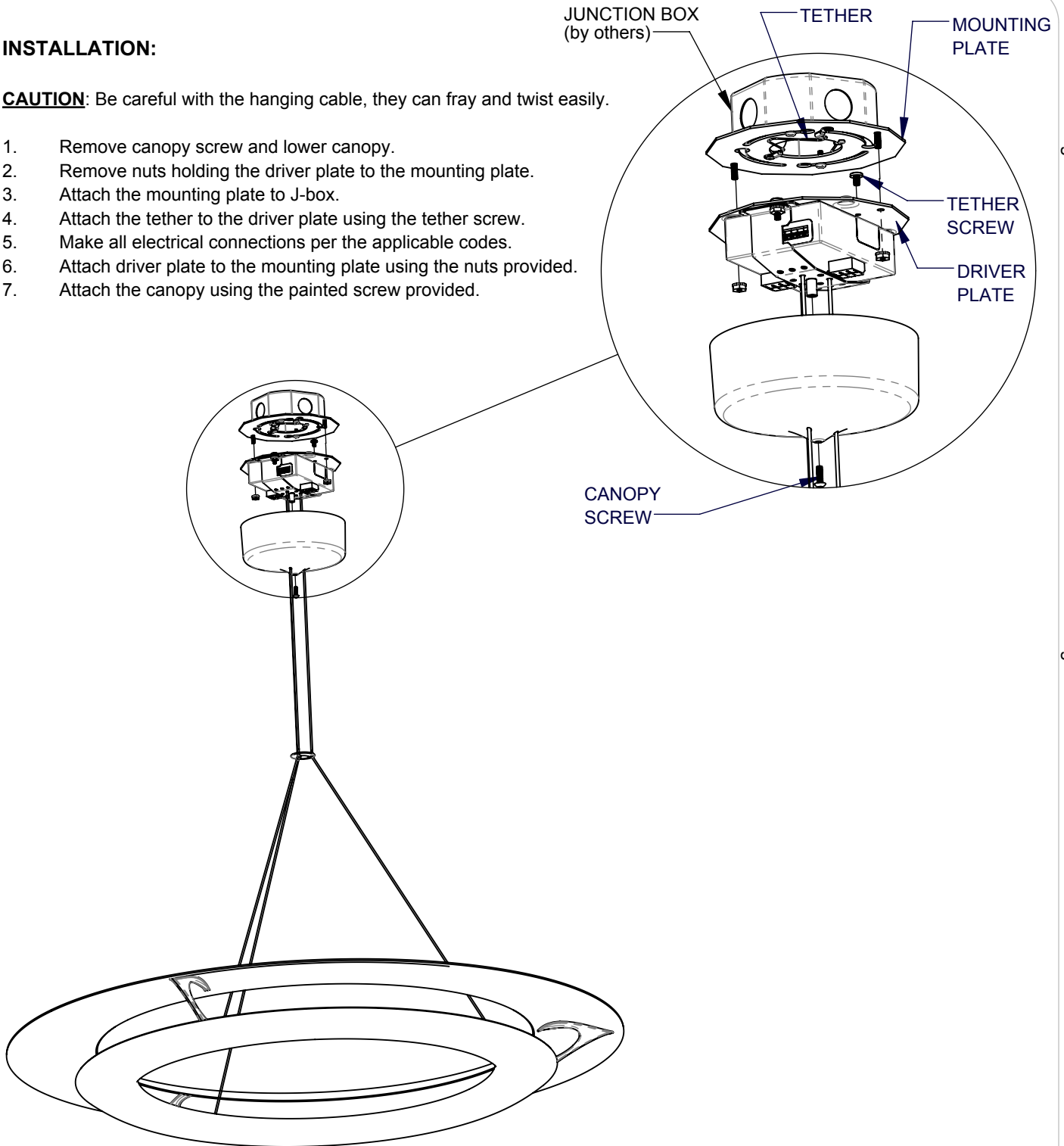
Model: **CP1325**  
Fixture Family: **COSMO**  
Document Description: Installation Instructions for Cosmo Pendant  
CP1325 Series Luminaires

**VISA LIGHTING**  
AN OLDENBURG GROUP COMPANY  
1717 West Civic Drive Milwaukee, WI 53209  
414-354-6600  
Design Modification Rights Reserved  
© Visa Lighting 2016

## INSTALLATION:

**CAUTION:** Be careful with the hanging cable, they can fray and twist easily.

1. Remove canopy screw and lower canopy.
2. Remove nuts holding the driver plate to the mounting plate.
3. Attach the mounting plate to J-box.
4. Attach the tether to the driver plate using the tether screw.
5. Make all electrical connections per the applicable codes.
6. Attach driver plate to the mounting plate using the nuts provided.
7. Attach the canopy using the painted screw provided.



Drawing: 762269XX

Rev: A

Sheet: 2 of 2

Eng: CG2

Date Drawn: 5/11/17

When using electrical equipment, basic safety precautions should always be followed, including the following:

- Read all instructions carefully before installing and save for future use.
- Make sure all connections are in accordance with the National Electrical Code and local regulations.
- To avoid possible electric shock, be sure the power supply is turned off before servicing or installing the fixture.
- Service should be performed by qualified personnel.

• These instructions may not cover all details or variations. If additional information is needed, please contact Visa Lighting.