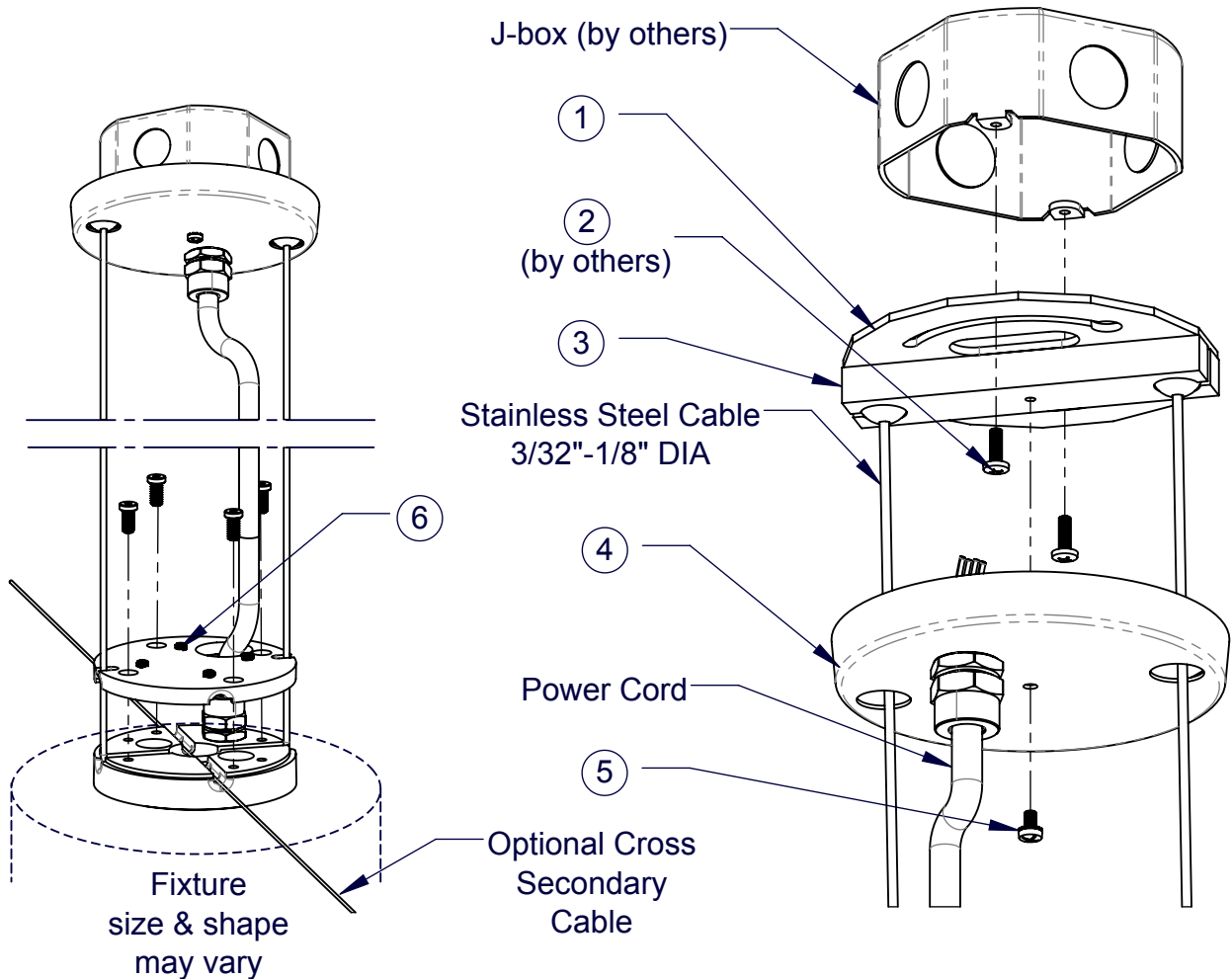


INSTALLATION INSTRUCTIONS

Model: **OP2130,2140,2222, 2223, 2234, 2252, 2253, 2254, 3630**
Fixture Family: **OP SEQUENCE, ZUME & LATERNA**
Document Description: Installation Instructions for
LED Series Luminaires

VISA LIGHTING
AN OLDENBURG GROUP COMPANY
1717 West Civic Drive Milwaukee, WI 53209
414-354-6600
Design Modification Rights Reserved
© Visa Lighting

OUTDOOR PENDANT - CANOPY MOUNT



Mounting instructions:

- Luminaire will arrive fully assembled at the specified height. Remove screw ⑤ before beginning. Install mounting plate ① to the J-box with J-box screws ② .
- Connect canopy cover ④ to cross bar ③ with screw ⑤ .
- Provide caulk between canopy cover ④ and the ceiling to provide a seal.
- Tighten set screws ⑥ on the top of the light fixture to secure cable in place.

See fixture specification sheets for dimensions, weight and effective projected areas

When using electrical equipment, basic safety precautions should always be followed, including the following:

- Read all instructions carefully before installing and save for future use.
- Make sure all connections are in accordance with the National Electrical Code and local regulations.
- To avoid possible electric shock, be sure the power supply is turned off before servicing or installing the fixture
- Service should be performed by qualified personnel.
- These instructions may not cover all details or variations. If additional information is needed, please contact Visa Lighting.