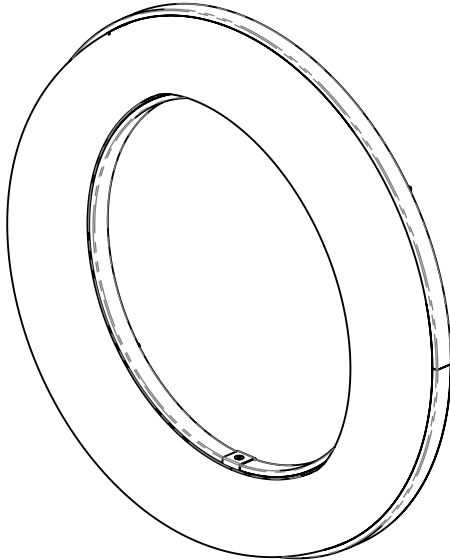


INSTALLATION INSTRUCTIONS

Model: **CV5700PSX- 02, 04, 10, 12 & 14**
Fixture Family: **MERIDIAN CV**
Document Description: Installation Instructions for
Meridian Series Luminaires

VISA LIGHTING
AN OLDENBURG GROUP COMPANY
1717 West Civic Drive Milwaukee, WI 53209
414-354-6600
Design Modification Rights Reserved
© Visa Lighting

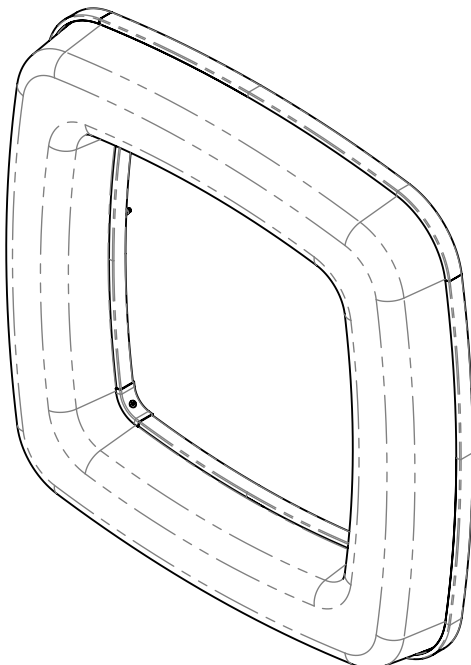


*SIZE MAY VARY

MERIDIAN (ROUND)

CV5700PSX
CV5702PSX
CV5704PSX

PAGE 2



*SIZE MAY VARY

MERIDIAN (SQUARE)

CV5710PSX
CV5712PSX
CV5714PSX

PAGE 3

Drawing: 762282XX

Rev: B

Sheet: 1 of 3

Eng: DMN

Date Drawn: 10/17/17

When using electrical equipment, basic safety precautions should always be followed, including the following:

- Read all instructions carefully before installing and save for future use.
- Make sure all connections are in accordance with the National Electrical Code and local regulations.
- To avoid possible electric shock, be sure the power supply is turned off before servicing or installing the fixture.
- Service should be performed by qualified personnel.

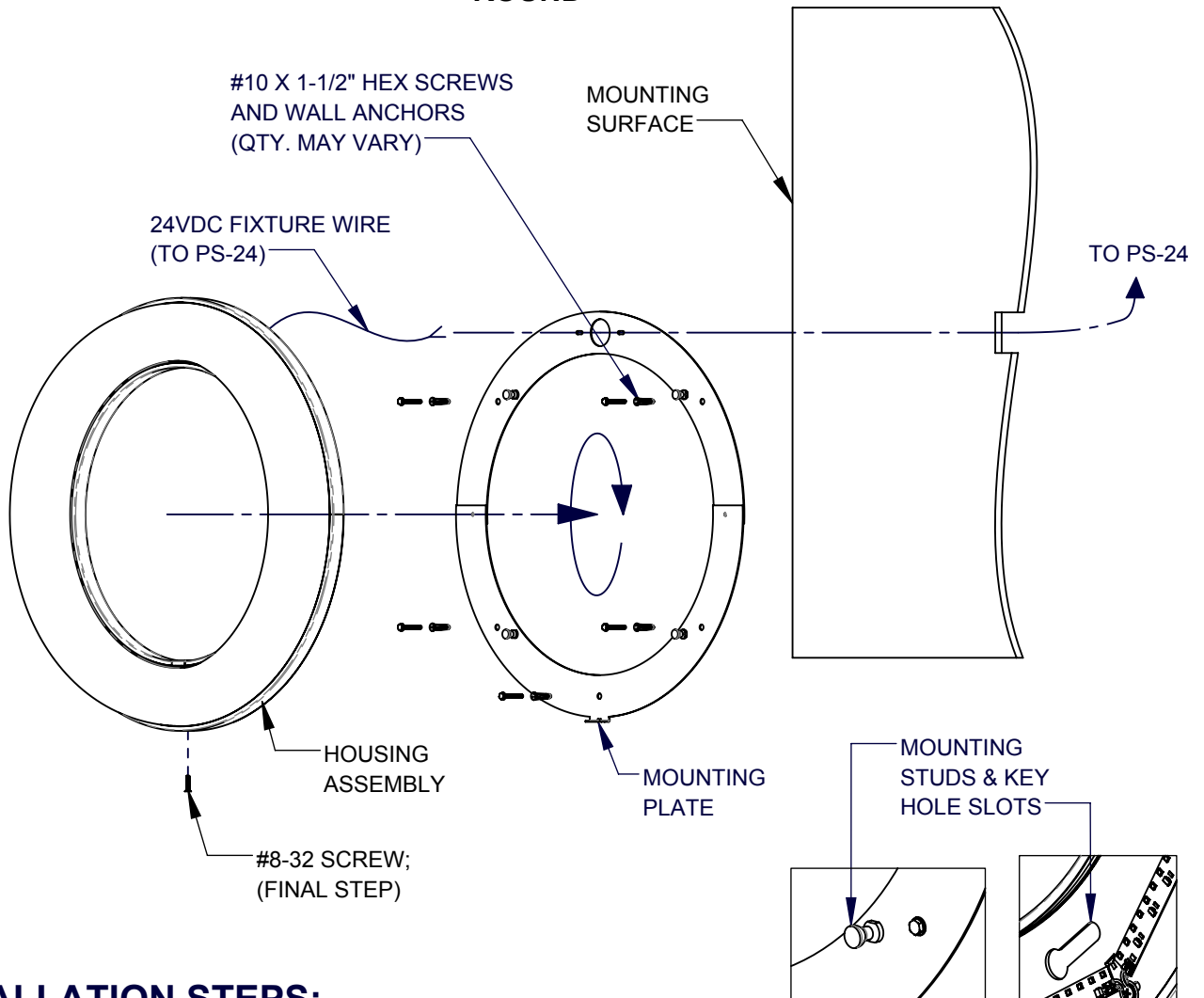
• These instructions may not cover all details or variations. If additional information is needed, please contact Visa Lighting.

INSTALLATION INSTRUCTIONS

Model: **CV5700PSX- 02, 04, 10, 12 & 14**
 Fixture Family: **MERIDIAN CV**
 Document Description: Installation Instructions for
 Meridian Series Luminaires

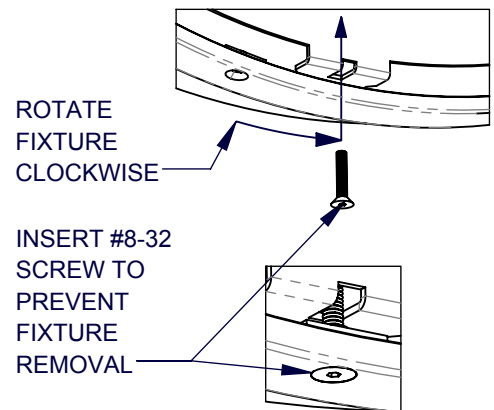
VISA LIGHTING
 AN OLDENBURG GROUP COMPANY
 1717 West Civic Drive Milwaukee, WI 53209
 414-354-6600
 Design Modification Rights Reserved
 © Visa Lighting

ROUND



INSTALLATION STEPS:

1. INSTALL MOUNTING PLATE TO MOUNTING SURFACE USING PROVIDED #10 X 1-1/2" HEX SCREWS AND ANCHORS.
2. FIXTURE WIRING PASSES THROUGH HOLE IN MOUNTING PLATE.
3. INSTALL HOUSING ASSEMBLY ONTO MOUNTING STUDS AND ROTATE FIXTURE CLOCKWISE UNTIL MOUNTING STUDS REACH MAXIMUM POSITION.
4. INSTALL #8-32 SCREW INTO HOUSING ASSEMBLY AND TIGHTEN FULLY UNTIL SCREW IS FLUSH WITH HOUSING ASSEMBLY.
5. IF #8-32 SCREW IS NOT FLUSH WITH HOUSING ASSEMBLY, TWIST THE HOUSING ASSEMBLY CLOCKWISE UNTIL #8-32 SCREW CAN BE FASTENED FLUSH TO HOUSING ASSEMBLY.
6. CONNECT FIXTURE TO PS-24 VIA THE FIXTURE CORD SHOWN.



Drawing: 762282XX

Rev: B

Sheet: 2 of 3

Eng: DMN

Date Drawn: 10/17/17

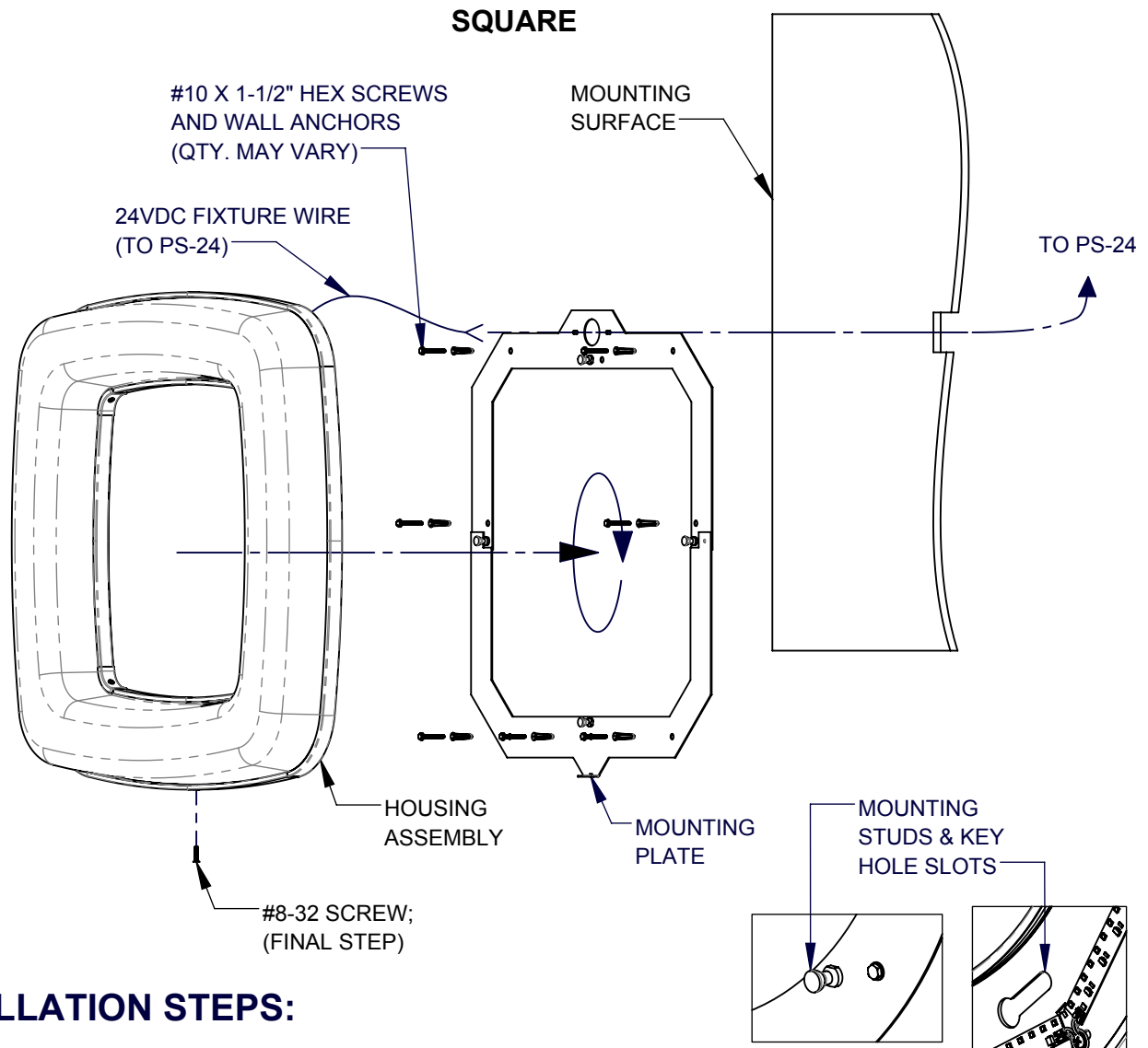
! When using electrical equipment, basic safety precautions should always be followed, including the following:

- Read all instructions carefully before installing and save for future use.
- Make sure all connections are in accordance with the National Electrical Code and local regulations.
- To avoid possible electric shock, be sure the power supply is turned off before servicing or installing the fixture.
- Service should be performed by qualified personnel.
- These instructions may not cover all details or variations. If additional information is needed, please contact Visa Lighting.

INSTALLATION INSTRUCTIONS

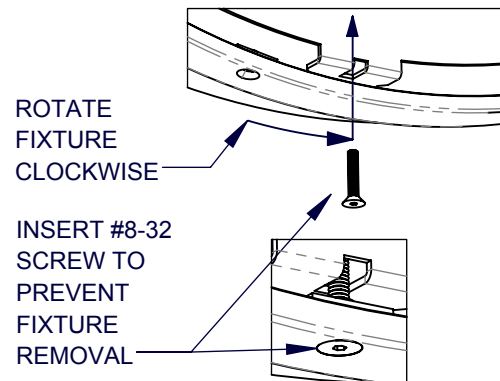
Model: **CV5700PSX- 02, 04, 10, 12 & 14**
 Fixture Family: **MERIDIAN CV**
 Document Description: Installation Instructions for
 Meridian Series Luminaires

VISA LIGHTING
 AN OLDENBURG GROUP COMPANY
 1717 West Civic Drive Milwaukee, WI 53209
 414-354-6600
 Design Modification Rights Reserved
 © Visa Lighting



INSTALLATION STEPS:

1. INSTALL MOUNTING PLATE TO MOUNTING SURFACE USING PROVIDED #10 X 1-1/2" HEX SCREWS AND ANCHORS.
2. FIXTURE WIRING PASSES THROUGH HOLE IN MOUNTING PLATE.
3. INSTALL HOUSING ASSEMBLY ONTO MOUNTING STUDS AND ROTATE FIXTURE CLOCKWISE UNTIL MOUNTING STUDS REACH MAXIMUM POSITION.
4. INSTALL #8-32 SCREW INTO HOUSING ASSEMBLY AND TIGHTEN FULLY UNTIL SCREW IS FLUSH WITH HOUSING ASSEMBLY.
5. IF #8-32 SCREW IS NOT FLUSH WITH HOUSING ASSEMBLY, TWIST THE HOUSING ASSEMBLY CLOCKWISE UNTIL #8-32 SCREW CAN BE FASTENED FLUSH TO HOUSING ASSEMBLY.
6. CONNECT FIXTURE TO PS-24 VIA THE FIXTURE CORD SHOWN.



Drawing: 762282XX

Rev: B

Sheet: 3 of 3

Eng: DMM

Date Drawn: 10/17/17

! When using electrical equipment, basic safety precautions should always be followed, including the following:

- Read all instructions carefully before installing and save for future use.
- Make sure all connections are in accordance with the National Electrical Code and local regulations.
- To avoid possible electric shock, be sure the power supply is turned off before servicing or installing the fixture.
- Service should be performed by qualified personnel.
- These instructions may not cover all details or variations. If additional information is needed, please contact Visa Lighting.