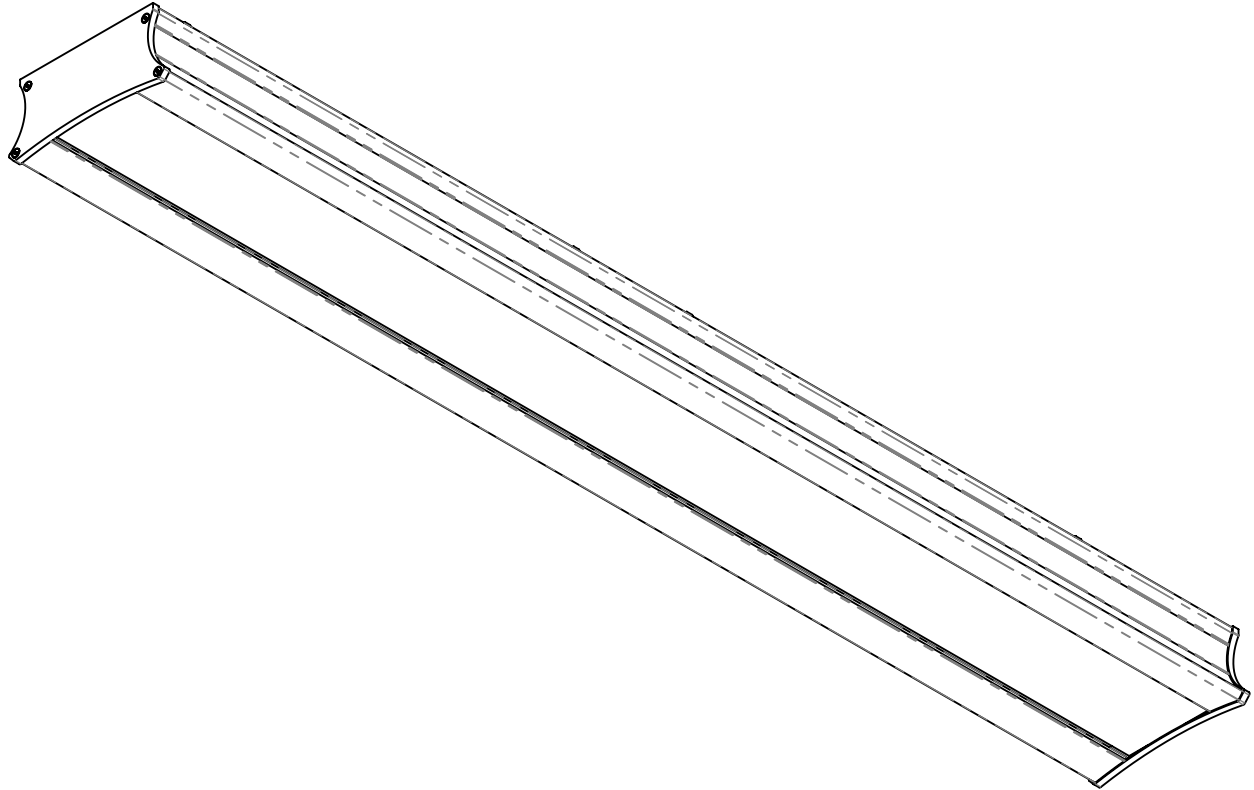


INSTALLATION INSTRUCTIONS

Model: **CM2104, 06, 08 KT2104, 06, 08, 14, 16, 18**
Fixture Family: **LATITUDE**
Document Description: Installation Instructions for
LATITUDE Series Luminaires



LATITUDE

CM2104	CM2106	CM2108
KT2104	KT2106	KT2108
KT2114	KT2116	KT2118

Drawing: 762298XX

Rev: A

Sheet: 1 of 5

Eng: CLD

Date Drawn: 04/24/18

! When using electrical equipment, basic safety precautions should always be followed, including the following:

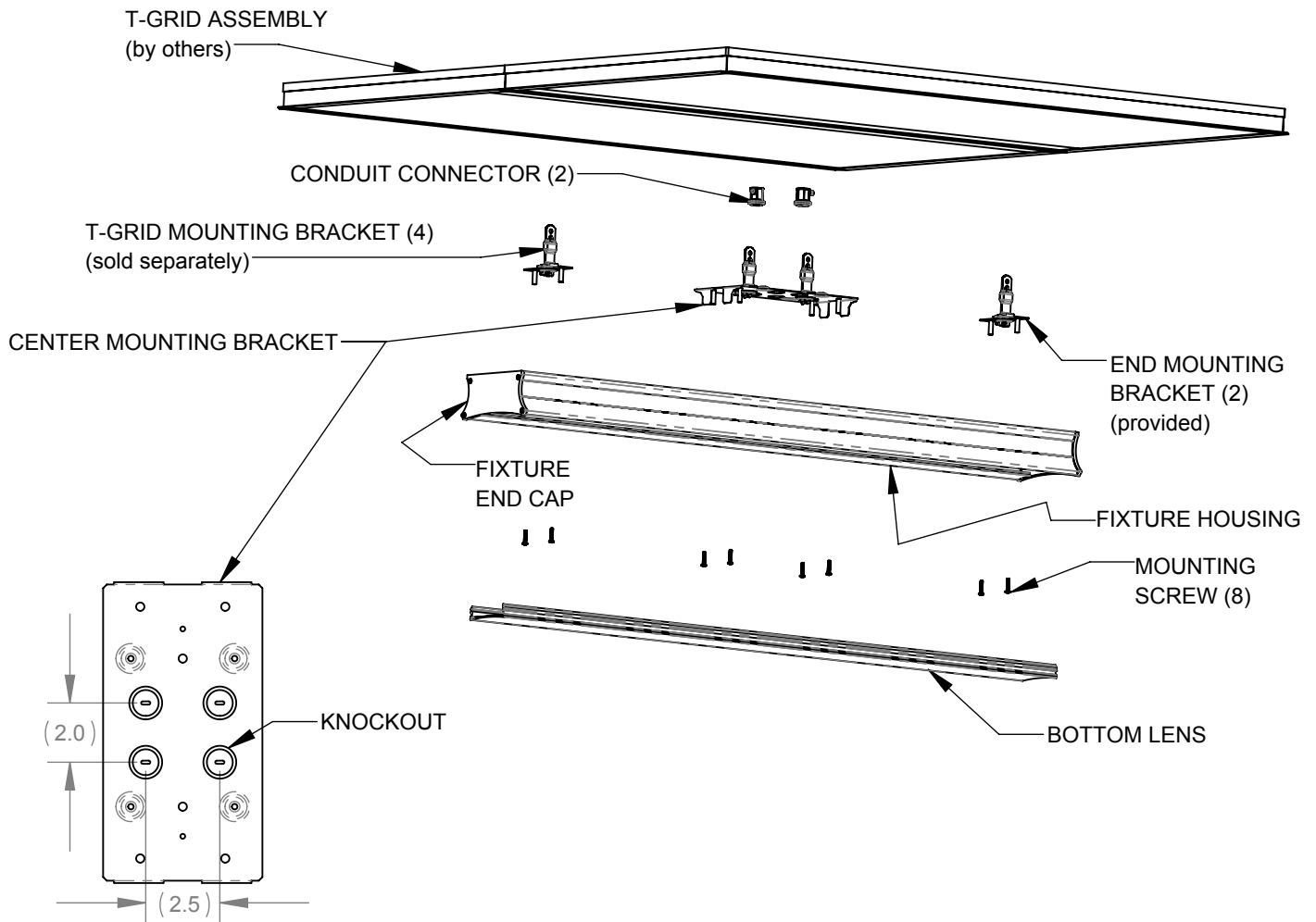
- Read all instructions carefully before installing and save for future use.
- Make sure all connections are in accordance with the National Electrical Code and local regulations.
- To avoid possible electric shock, be sure the power supply is turned off before servicing or installing the fixture.
- Service should be performed by qualified personnel.
- These instructions may not cover all details or variations. If additional information is needed, please contact Visa Lighting.

INSTALLATION INSTRUCTIONS

Model: **CM2104, 06, 08 KT2104, 06, 08, 14, 16, 18**
Fixture Family: **LATITUDE**
Document Description: Installation Instructions for
LATITUDE Series Luminaires

VISA LIGHTING
AN OLDENBURG GROUP COMPANY
1717 West Civic Drive Milwaukee, WI 53209
414-354-6600
Design Modification Rights Reserved
© Visa Lighting

T-GRID INSTALLATION



1. Remove bottom lens from fixture housing.
2. Remove fixture mounting screws from fixture housing. This will detach the end mounting brackets and center mounting plate from the fixture housing. Refer to page 4 for mounting dimensions.
3. Install T-Grid mounting brackets. These are either 'by others' or were purchase with the fixture(s). To install the T-Grid mounting to the end brackets, refer to page 5 for instructions.
4. Install the fixture housing by supporting the fixture to the ceiling. Make sure to line up the holes on the standoffs located on the end brackets. Secure with mounting screws.
5. Reinstall the bottom lens.

When using electrical equipment, basic safety precautions should always be followed, including the following:

- Read all instructions carefully before installing and save for future use.
- Make sure all connections are in accordance with the National Electrical Code and local regulations.
- To avoid possible electric shock, be sure the power supply is turned off before servicing or installing the fixture.
- Service should be performed by qualified personnel.
- These instructions may not cover all details or variations. If additional information is needed, please contact Visa Lighting.

Drawing: 762298XX

Rev: A

Sheet: 2 of 5

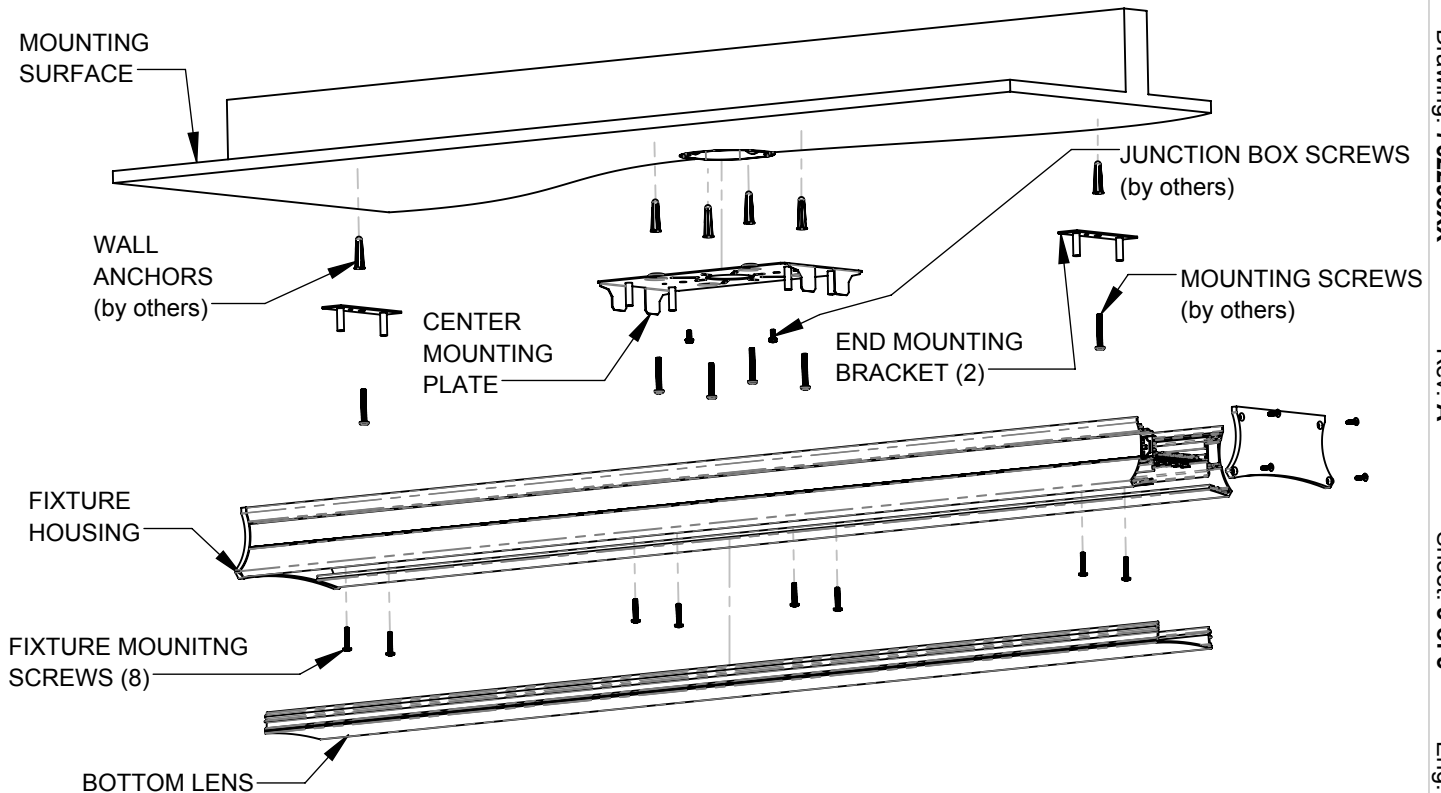
Eng: CLD

Date Drawn: 04/24/18

INSTALLATION INSTRUCTIONS

Model: **CM2104, 06, 08 KT2104, 06, 08, 14, 16, 18**
Fixture Family: **LATITUDE**
Document Description: Installation Instructions for
LATITUDE Series Luminaires

VISA LIGHTING
AN OLDENBURG GROUP COMPANY
1717 West Civic Drive Milwaukee, WI 53209
414-354-6600
Design Modification Rights Reserved
© Visa Lighting



1. Remove the end cap by removing the (4) allen screws. Set end cap aside.
2. Remove bottom lens from fixture housing.
3. Remove fixture mounting screws from fixture housing. This will detach the end mounting brackets and center mounting plate from the fixture housing.
4. Install center mounting plate and end mounting brackets to mounting surface. Use anchors (by others), to help secure the center mounting plate and end mounting brackets to mounting surface. See page 4 for mounting dimensions.
5. Install the fixture housing by installing the fixture mounting screws.
6. Reinstall the bottom lens.

When using electrical equipment, basic safety precautions should always be followed, including the following:

- Read all instructions carefully before installing and save for future use.
- Make sure all connections are in accordance with the National Electrical Code and local regulations.
- To avoid possible electric shock, be sure the power supply is turned off before servicing or installing the fixture.
- Service should be performed by qualified personnel.
- These instructions may not cover all details or variations. If additional information is needed, please contact Visa Lighting.

Drawing: 762298XX

Rev: A

Sheet: 3 of 5

Eng: CLD

Date Drawn: 04/24/18

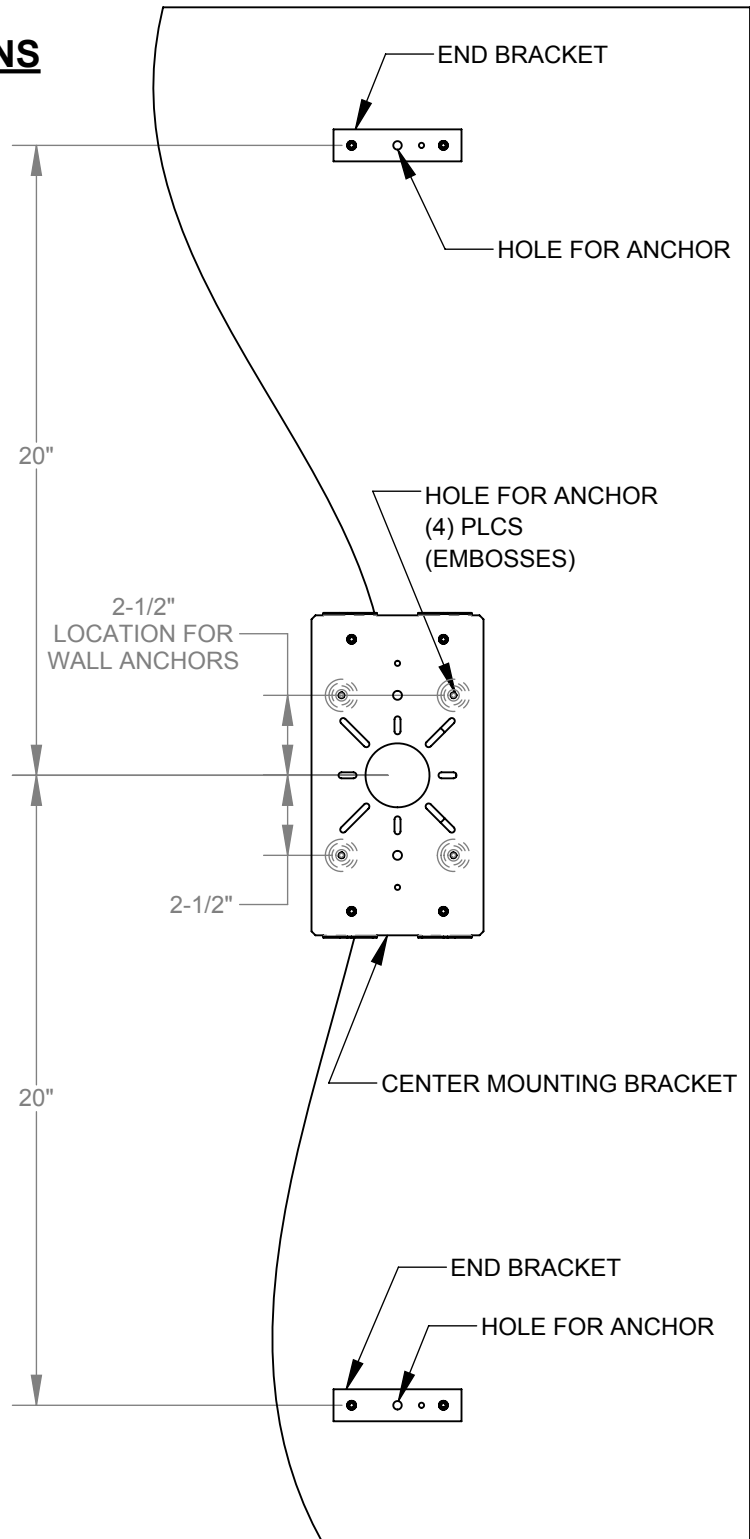
INSTALLATION INSTRUCTIONS

Model: **CM2104, 06, 08 KT2104, 06, 08, 14, 16, 18**
Fixture Family: **LATITUDE**
Document Description: Installation Instructions for
LATITUDE Series Luminaires

VISA LIGHTING
AN OLDENBURG GROUP COMPANY
1717 West Civic Drive Milwaukee, WI 53209
414-354-6600
Design Modification Rights Reserved
© Visa Lighting

DRYWALL MOUNTING DIMENSIONS

1. Install center mounting bracket to junction box (by others). Mark the holes for the anchors. Use the holes in the embosses for a guide. Remove center mounting bracket.
2. Measure 20" on center from the junction box on both sides as shown.
3. Mark and drill 5/16" hole in mounting surface. Install anchors (by others).
4. Install end mounting brackets to mounting surface and center mounting bracket.
5. Refer to page 3 for further installation instructions.
6. These dimensions can be used as a reference for installing to a T-Grid ceiling as well. Refer to page 2 for installation instructions.



Drawing: 762298XX

Rev: A

Sheet: 4 of 5

Eng: CLD

Date Drawn: 04/24/18

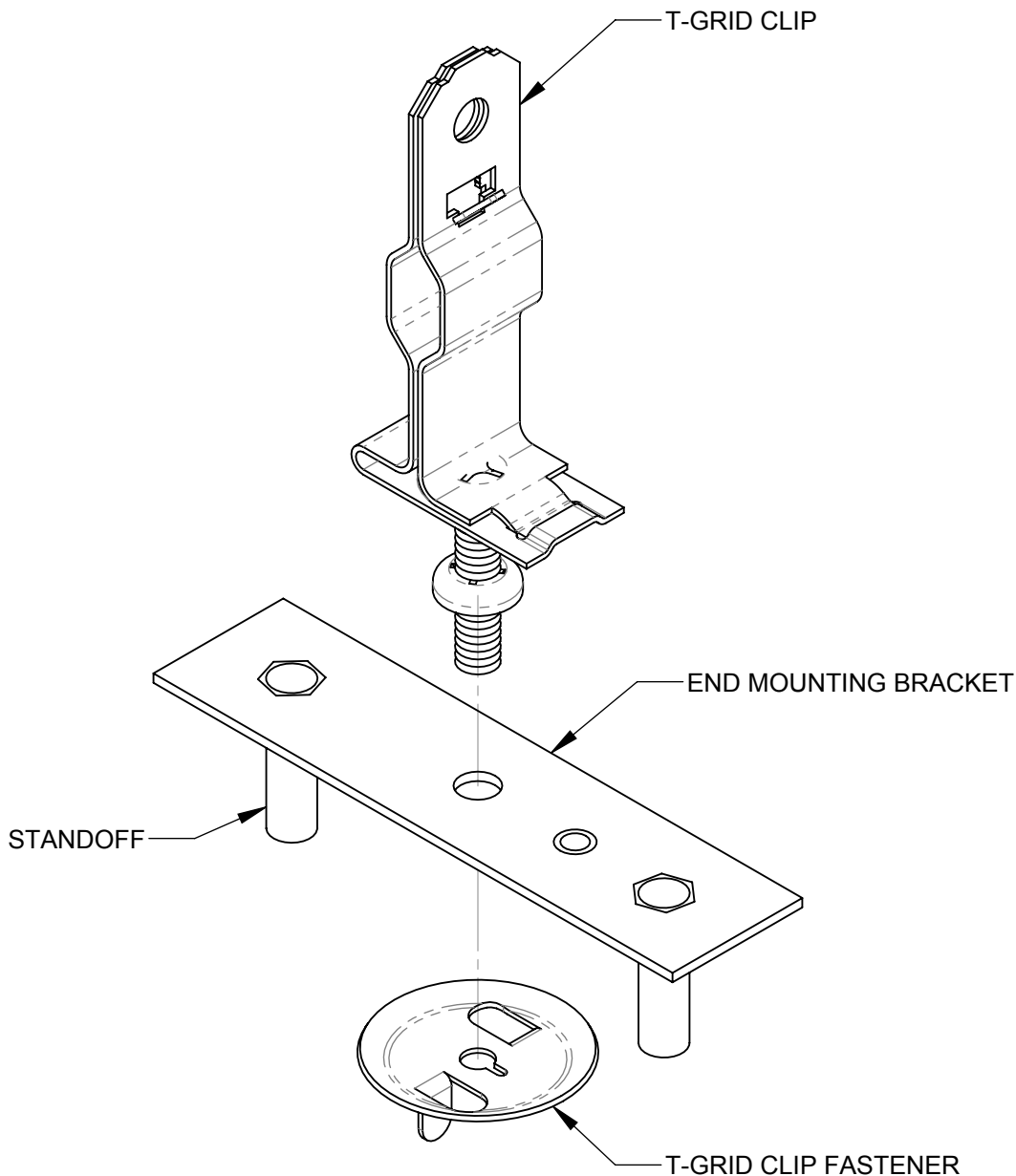
When using electrical equipment, basic safety precautions should always be followed, including the following:

- Read all instructions carefully before installing and save for future use.
- Make sure all connections are in accordance with the National Electrical Code and local regulations.
- To avoid possible electric shock, be sure the power supply is turned off before servicing or installing the fixture.
- Service should be performed by qualified personnel.
- These instructions may not cover all details or variations. If additional information is needed, please contact Visa Lighting.

INSTALLATION INSTRUCTIONS

Model: **CM2104, 06, 08 KT2104, 06, 08, 14, 16, 18**
Fixture Family: **LATITUDE**
Document Description: Installation Instructions for
LATITUDE Series Luminaires

VISA LIGHTING
AN OLDENBURG GROUP COMPANY
1717 West Civic Drive Milwaukee, WI 53209
414-354-6600
Design Modification Rights Reserved
© Visa Lighting



1. Install T-Grid bracket onto the T-Grid (by others).
2. Refer to page 4 for the proper spacing of the clips.
3. Install end mounting bracket (installed) onto the T-Grid clip.
4. Secure with T-Grid clip fastener. Do not over tighten. Doing so can damage the clip fastener.
5. Follow further T-Grid installation on page 2.

! When using electrical equipment, basic safety precautions should always be followed, including the following:

- Read all instructions carefully before installing and save for future use.
- Make sure all connections are in accordance with the National Electrical Code and local regulations.
- To avoid possible electric shock, be sure the power supply is turned off before servicing or installing the fixture.
- Service should be performed by qualified personnel.
- These instructions may not cover all details or variations. If additional information is needed, please contact Visa Lighting.