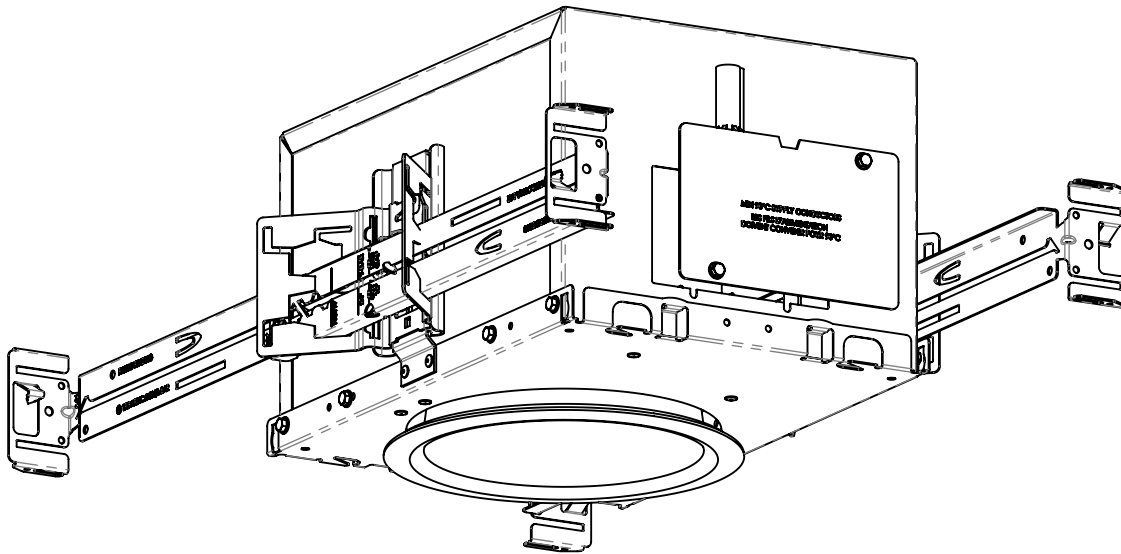


# INSTALLATION INSTRUCTIONS

Model: **CM2070-D & CM2070-W**  
Fixture Family: **CADE**  
Document Description: Installation Instructions for  
Cade Series Luminaires

**VISA LIGHTING**  
AN OLDENBURG GROUP COMPANY  
1717 West Civic Drive Milwaukee, WI 53209  
414-354-6600  
Design Modification Rights Reserved  
© Visa Lighting



## CADE

### CM2070-D & CM2070-W

Drawing: 762308XX

Rev: B

Sheet: 1 of 3

Eng: CG2

Date Drawn: 10/15/18

**!** When using electrical equipment, basic safety precautions should always be followed, including the following:

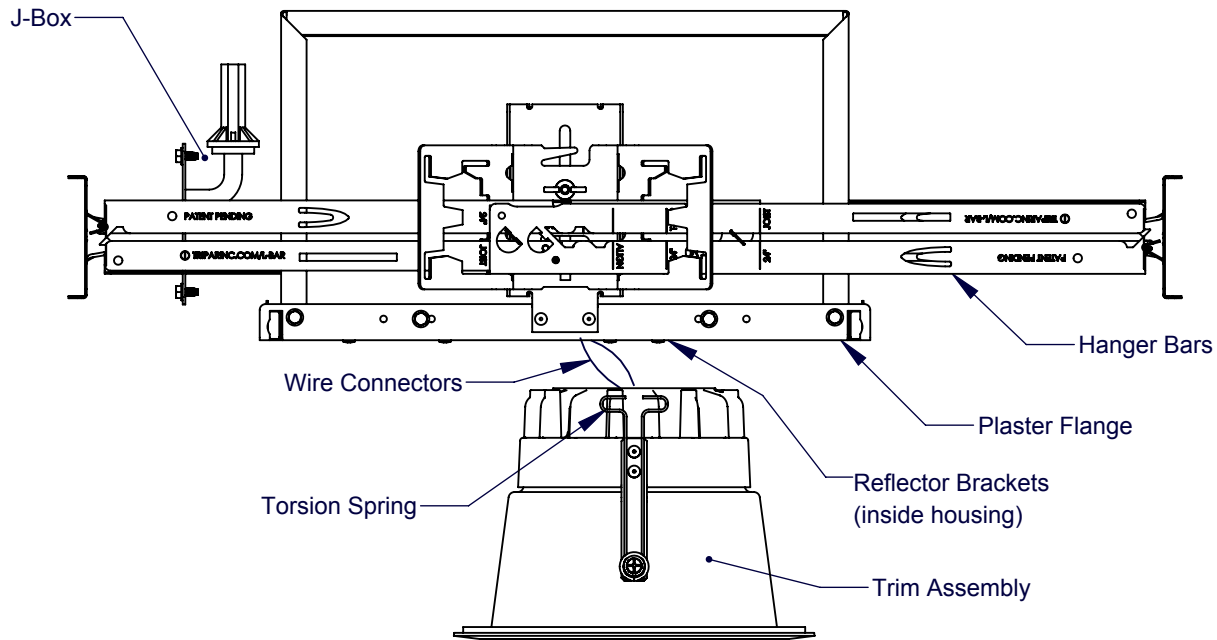
- Read all instructions carefully before installing and save for future use.
- Make sure all connections are in accordance with the National Electrical Code and local regulations.
- To avoid possible electric shock, be sure the power supply is turned off before servicing or installing the fixture.
- Service should be performed by qualified personnel.
- These instructions may not cover all details or variations. If additional information is needed, please contact Visa Lighting.

# INSTALLATION INSTRUCTIONS

Model: **CM2070-D & CM2070-W**  
Fixture Family: **CADE**  
Document Description: Installation Instructions for  
Cade Series Luminaires

**VISA LIGHTING**  
AN OLDENBURG GROUP COMPANY  
1717 West Civic Drive Milwaukee, WI 53209  
414-354-6600  
Design Modification Rights Reserved  
© Visa Lighting 2016

## T-Grid and Sheet Rock Installation



1. Install the fixture in the ceiling using the hanger bars (supplied), or mounting channel or bars (by others) placed in the adjustable mounting brackets. Mount the fixture in the ceiling so that the weight of the fixture is supported by the hanger bars, mounting channel, bar, and/or hanger wires secured to the building structure.
2. With the trim assembly remover, adjust the fixture so the bottom of the plaster flange opening is flush with the top side of the finished ceiling line and in alignment with adjacent fixtures. Secure mounting brackets by tightening wing nuts on either side of the fixture.
3. Determine where the supply wiring conduit will enter the J-Box and attach it in conformance with the National Electric Code.
4. Make necessary wiring and dimmer connections. Consult a qualified electrician for all other options that require other wiring configurations.
5. Pull driver side connector down through opening in fixture.
6. Connect wire connectors together.
7. Squeeze two torsion springs together and insert ends into two reflector brackets. Push trim assembly up towards ceiling until springs draw trim firmly against the ceiling. Make sure there aren't any pinched wires.

When using electrical equipment, basic safety precautions should always be followed, including the following:

- Read all instructions carefully before installing and save for future use.
- Make sure all connections are in accordance with the National Electrical Code and local regulations.
- To avoid possible electric shock, be sure the power supply is turned off before servicing or installing the fixture.
- Service should be performed by qualified personnel.
- These instructions may not cover all details or variations. If additional information is needed, please contact Visa Lighting.

Drawing: 762308XX

Rev: B

Sheet: 2 of 3

Eng: CG2

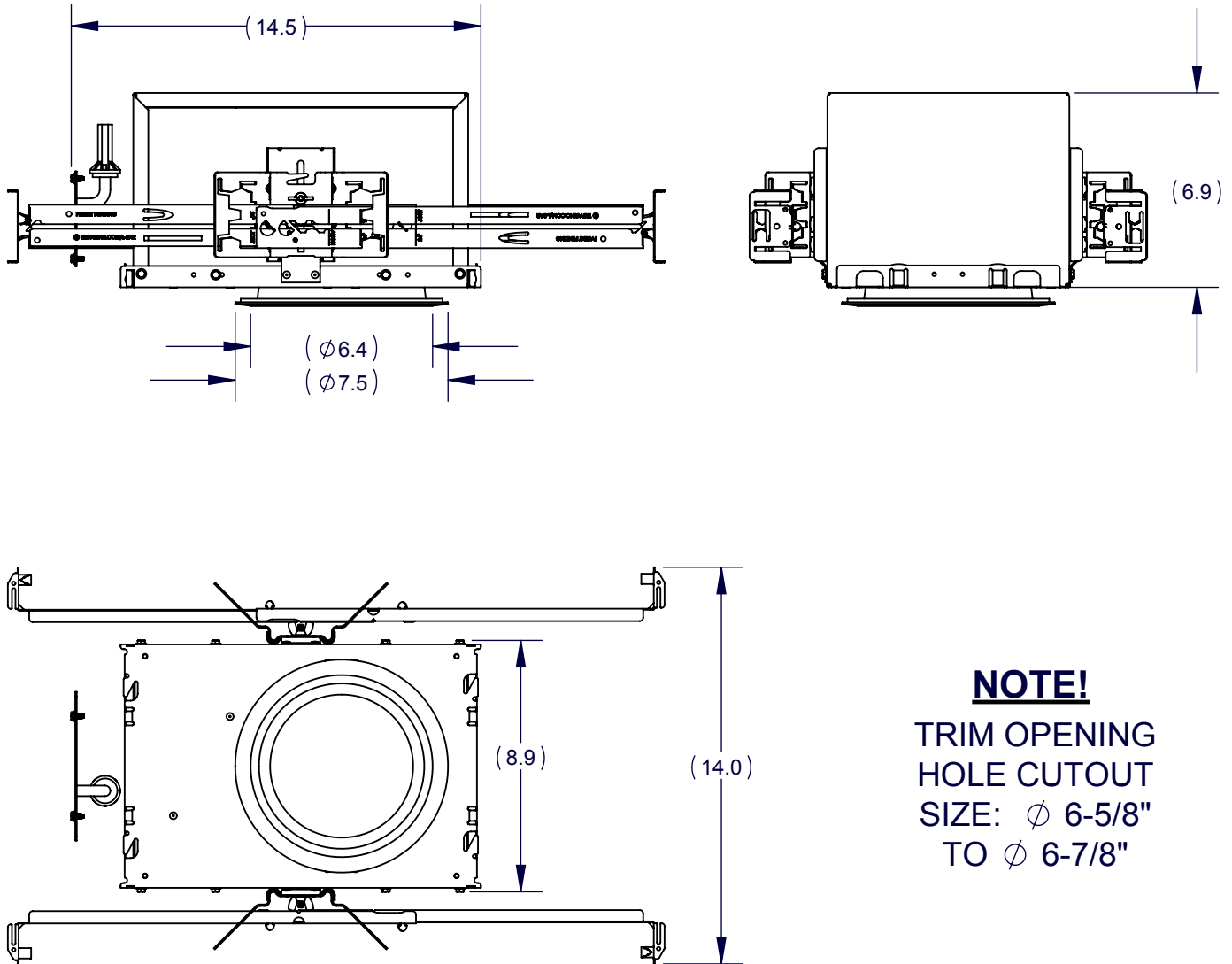
Date Drawn: 10/15/18

# INSTALLATION INSTRUCTIONS

Model: **CM2070-D & CM2070-W**  
Fixture Family: **CADE**  
Document Description: Installation Instructions for  
Cade Series Luminaires

**VISA LIGHTING**  
AN OLDENBURG GROUP COMPANY  
1717 West Civic Drive Milwaukee, WI 53209  
414-354-6600  
Design Modification Rights Reserved  
© Visa Lighting

## Overall dimensions



Drawing: 762308XX

Rev: B

Sheet: 3 of 3

Eng: CG2

Date Drawn: 10/15/18

When using electrical equipment, basic safety precautions should always be followed, including the following:

- Read all instructions carefully before installing and save for future use.
- Make sure all connections are in accordance with the National Electrical Code and local regulations.
- To avoid possible electric shock, be sure the power supply is turned off before servicing or installing the fixture.
- Service should be performed by qualified personnel.
- These instructions may not cover all details or variations. If additional information is needed, please contact Visa Lighting.