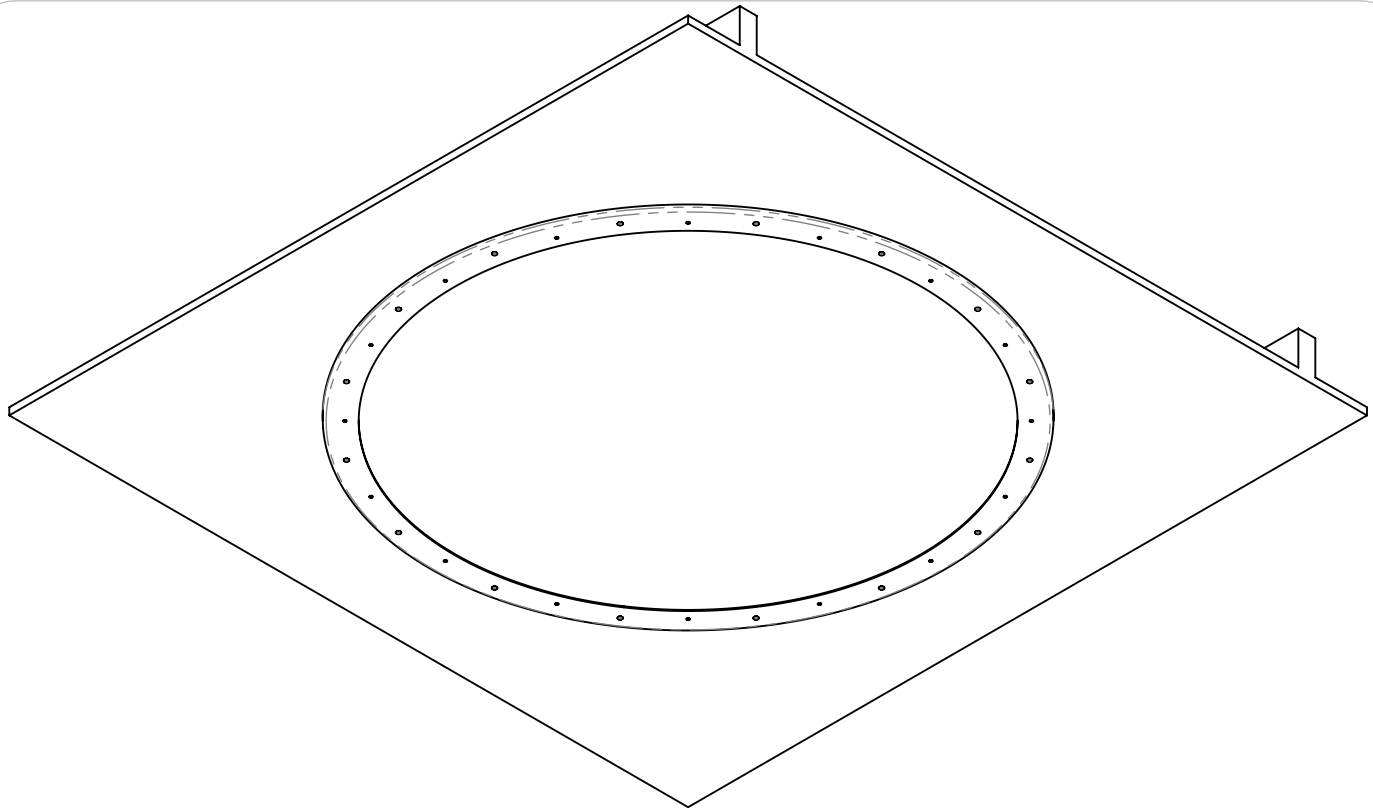


INSTALLATION INSTRUCTIONS

Model: **CM1976-W, CM1978-W, -T**
Fixture Family: **SYMMETRY B.H.**
Document Description: Installation Instructions for
SYMMETRY Series Luminaires

VISA LIGHTING
AN OLDENBURG GROUP COMPANY
1717 West Civic Drive Milwaukee, WI 53209
414-354-6600
Design Modification Rights Reserved
© Visa Lighting 2016



4x4 SYMMETRY BEHAVIORAL HEALTH CM1976-W, CM1978-W, -T

PAGE 2: SHEETROCK INSTALLATION COMPONENTS

PAGE 3: SHEETROCK INSTALLATION INSTRUCTIONS

PAGE 4: T-BAR GRID INSTALLATION INSTRUCTIONS

PAGE 5: DIMENSIONS

Drawing: 762329XX

Rev: A

Sheet: 1 of 5

Eng: DMN

Date Drawn: 03/06/18

! When using electrical equipment, basic safety precautions should always be followed, including the following:

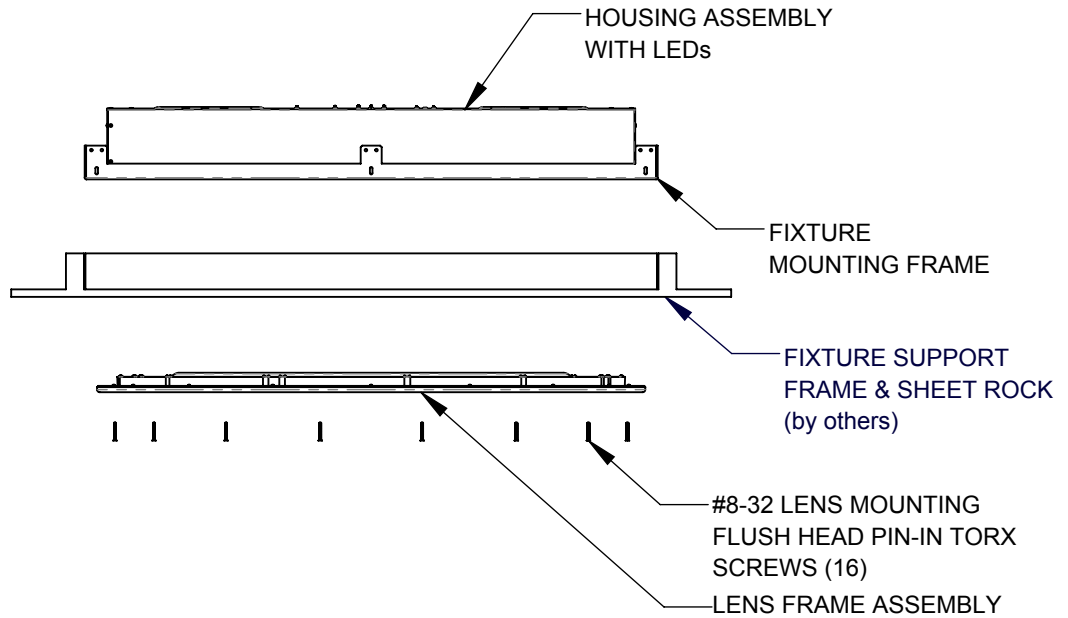
- Read all instructions carefully before installing and save for future use.
- Make sure all connections are in accordance with the National Electrical Code and local regulations.
- To avoid possible electric shock, be sure the power supply is turned off before servicing or installing the fixture.
- Service should be performed by qualified personnel.
- These instructions may not cover all details or variations. If additional information is needed, please contact Visa Lighting.

INSTALLATION INSTRUCTIONS

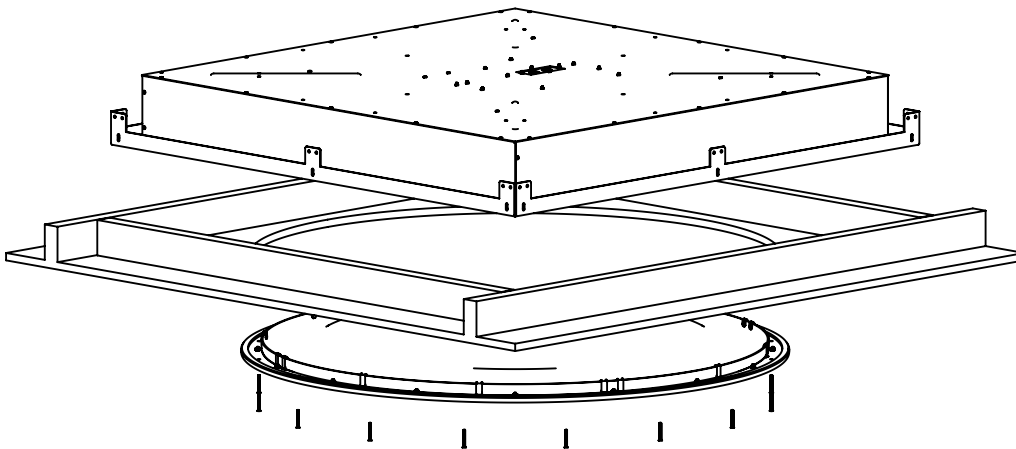
Model: **CM1976-W, CM1978-W, -T**
Fixture Family: **SYMMETRY B.H.**
Document Description: Installation Instructions for
SYMMETRY Series Luminaires

VISA LIGHTING
AN OLDENBURG GROUP COMPANY
1717 West Civic Drive Milwaukee, WI 53209
414-354-6600
Design Modification Rights Reserved
© Visa Lighting

SHEETROCK INSTALLATION COMPONENT DETAIL:



ISO VIEW FOR REFERENCE:



Drawing: 762329XX

Rev: A

Sheet: 2 of 5

Eng: DMM

Date Drawn: 03/06/18

When using electrical equipment, basic safety precautions should always be followed, including the following:

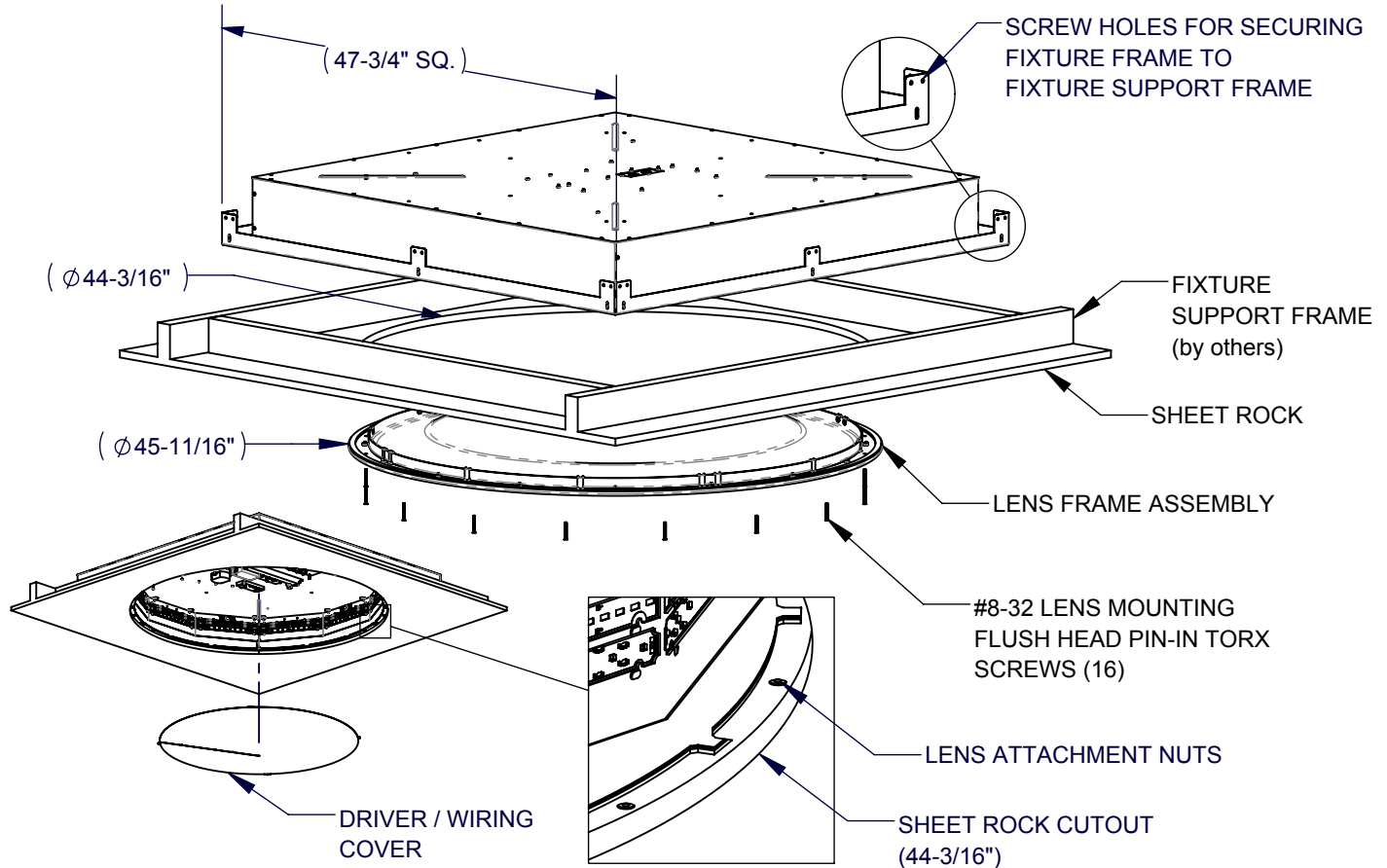
- Read all instructions carefully before installing and save for future use.
- Make sure all connections are in accordance with the National Electrical Code and local regulations.
- To avoid possible electric shock, be sure the power supply is turned off before servicing or installing the fixture.
- Service should be performed by qualified personnel.
- These instructions may not cover all details or variations. If additional information is needed, please contact Visa Lighting.

INSTALLATION INSTRUCTIONS

Model: **CM1976-W, CM1978-W, -T**
 Fixture Family: **SYMMETRY B.H.**
 Document Description: Installation Instructions for
 SYMMETRY Series Luminaires

VISA LIGHTING
 AN OLDENBURG GROUP COMPANY
 1717 West Civic Drive Milwaukee, WI 53209
 414-354-6600
 Design Modification Rights Reserved
 © Visa Lighting

SHEETROCK INSTALLATION:



*** Note: This fixture is supported from the structure above the sheetrock ceiling.**

1. Provide a framed opening for centering the fixture. The LED housing opening should measure between 47-7/8" +/- 1/8" square. This will help support the fixture when it is fully installed.
2. Remove the screws (16 pcs.) attaching the Lens Frame Assembly to the fixture. Place aside the screws and Lens Frame Assembly. The Lens Frame Assembly is not reinstalled until all sheetrock work is completed.
3. Remove driver/wiring cover.
4. Secure the fixture to the structure above using the screw holes provided (see detail view above). Make sure to locate the fixture so the bottom of the square housing is flush with the sheetrock mounting surface. Do not fully tighten the fixture yet.
5. Attach the fixture to the fixture support framing using screws (by others).
6. Make all the electrical connections required and following local codes that apply.
7. Reattach driver/wiring cover.
8. Complete sheetrock installation. **NOTE:** Protect LEDs during sheetrock installation and finishing.
9. Once sheetrock is completed, cut circular opening (44-3/16" +/- 0.250"). **NOTE:** Lens Attachment nuts should be visible.
10. Reattach the Lens Frame Assembly to the housing using screws (16 pcs.). **NOTE:** Hand start all screws (16 pcs.) and then tighten them fully in a star pattern.

When using electrical equipment, basic safety precautions should always be followed, including the following:

- Read all instructions carefully before installing and save for future use.
- Make sure all connections are in accordance with the National Electrical Code and local regulations.
- To avoid possible electric shock, be sure the power supply is turned off before servicing or installing the fixture.
- Service should be performed by qualified personnel.
- These instructions may not cover all details or variations. If additional information is needed, please contact Visa Lighting.

Drawing: 762329XX

Rev: A

Sheet: 3 of 5

Eng: DMM

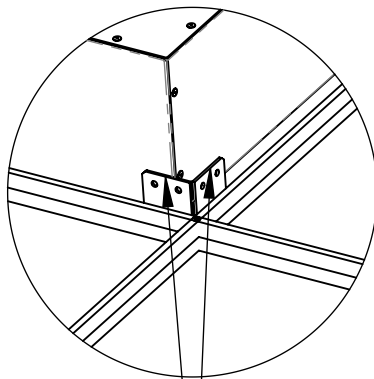
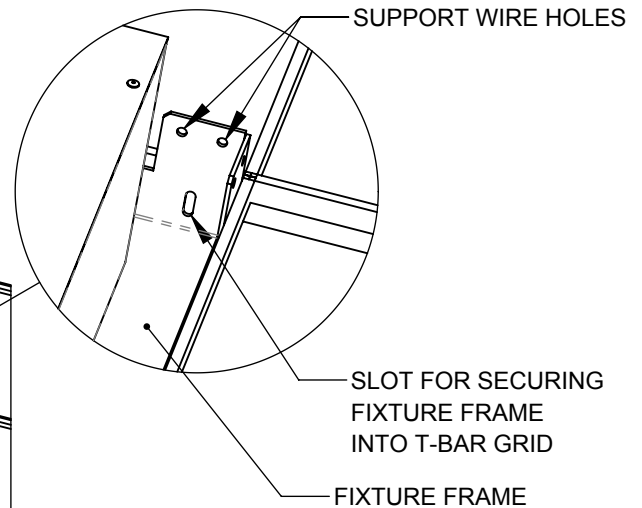
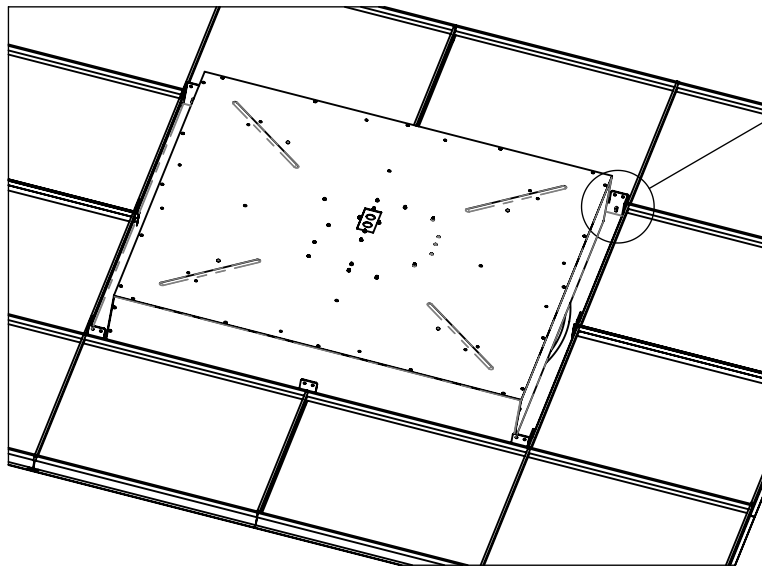
Date Drawn: 03/06/18

INSTALLATION INSTRUCTIONS

Model: **CM1976-W, CM1978-W, -T**
Fixture Family: **SYMMETRY B.H.**
Document Description: Installation Instructions for
SYMMETRY Series Luminaires

VISA LIGHTING
AN OLDENBURG GROUP COMPANY
1717 West Civic Drive Milwaukee, WI 53209
414-354-6600
Design Modification Rights Reserved
© Visa Lighting

T-BAR GRID INSTALLATION



FIXTURE
SUPPORT
TAB (8) PLCS

1. Remove the screws (16 pcs.) attaching the Lens Frame Assembly to the fixture. Place aside the screws and Lens Frame Assembly. See page one.
2. Remove the screws (4 pcs.) that attach the Housing Assembly to the Fixture Frame. See page one.
3. Place, temporarily, the housing assembly above the T-bar grid in a position out of way, but accessible to reinstall once the Fixture Frame is installed into the opening.
4. Install the Fixture Frame into the T-bar opening.
5. Support the Fixture Frame with wires attached to the building structure (8 pcs.).
6. Attach the Fixture Frame to the T-bar using screws (By others)
7. Reinstall the Housing Assembly to the Fixture Frame using screws (4 pcs.).
8. Remove the driver/wiring cover.
9. Make all electrical connections required and following local codes that apply.
10. Reattach driver/wiring cover. See page one.
11. Reattach the Lens Frame Assembly. See page one. Note: Hand start all screws (16 pcs.) and then tighten them fully in a star pattern.

Drawing: 762329XX

Rev: A

Sheet: 4 of 5

Eng: DMM

Date Drawn: 03/06/18

When using electrical equipment, basic safety precautions should always be followed, including the following:

- Read all instructions carefully before installing and save for future use.
- Make sure all connections are in accordance with the National Electrical Code and local regulations.
- To avoid possible electric shock, be sure the power supply is turned off before servicing or installing the fixture.
- Service should be performed by qualified personnel.

• These instructions may not cover all details or variations. If additional information is needed, please contact Visa Lighting.

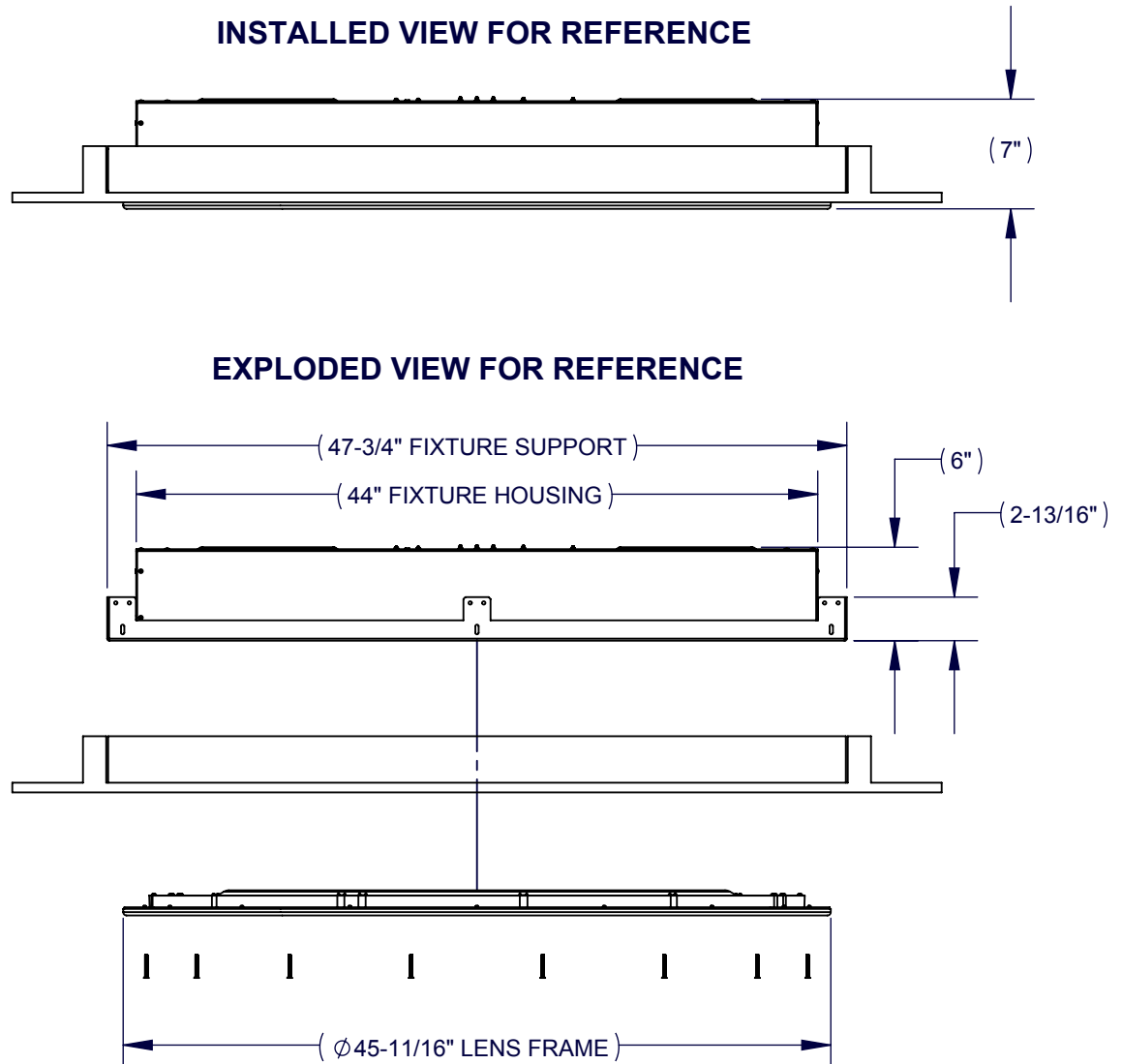
INSTALLATION INSTRUCTIONS

Model: **CM1976-W, CM1978-W, -T**
Fixture Family: **SYMMETRY B.H.**
Document Description: Installation Instructions for
SYMMETRY Series Luminaires

Wiring Instructions - Over Bed Units

1. All AC inputs to fixture must be supplied from the same branch circuit.
2. AMBIENT LINE and EXAM LINE must both be energized to achieve EXAM light levels on patient bed surface.

Dimensions:



Drawing: 762329XX

Rev: A

Sheet: 5 of 5

Eng: DMN

Date Drawn: 03/06/18

When using electrical equipment, basic safety precautions should always be followed, including the following:

- Read all instructions carefully before installing and save for future use.
- Make sure all connections are in accordance with the National Electrical Code and local regulations.
- To avoid possible electric shock, be sure the power supply is turned off before servicing or installing the fixture.
- Service should be performed by qualified personnel.
- These instructions may not cover all details or variations. If additional information is needed, please contact Visa Lighting.