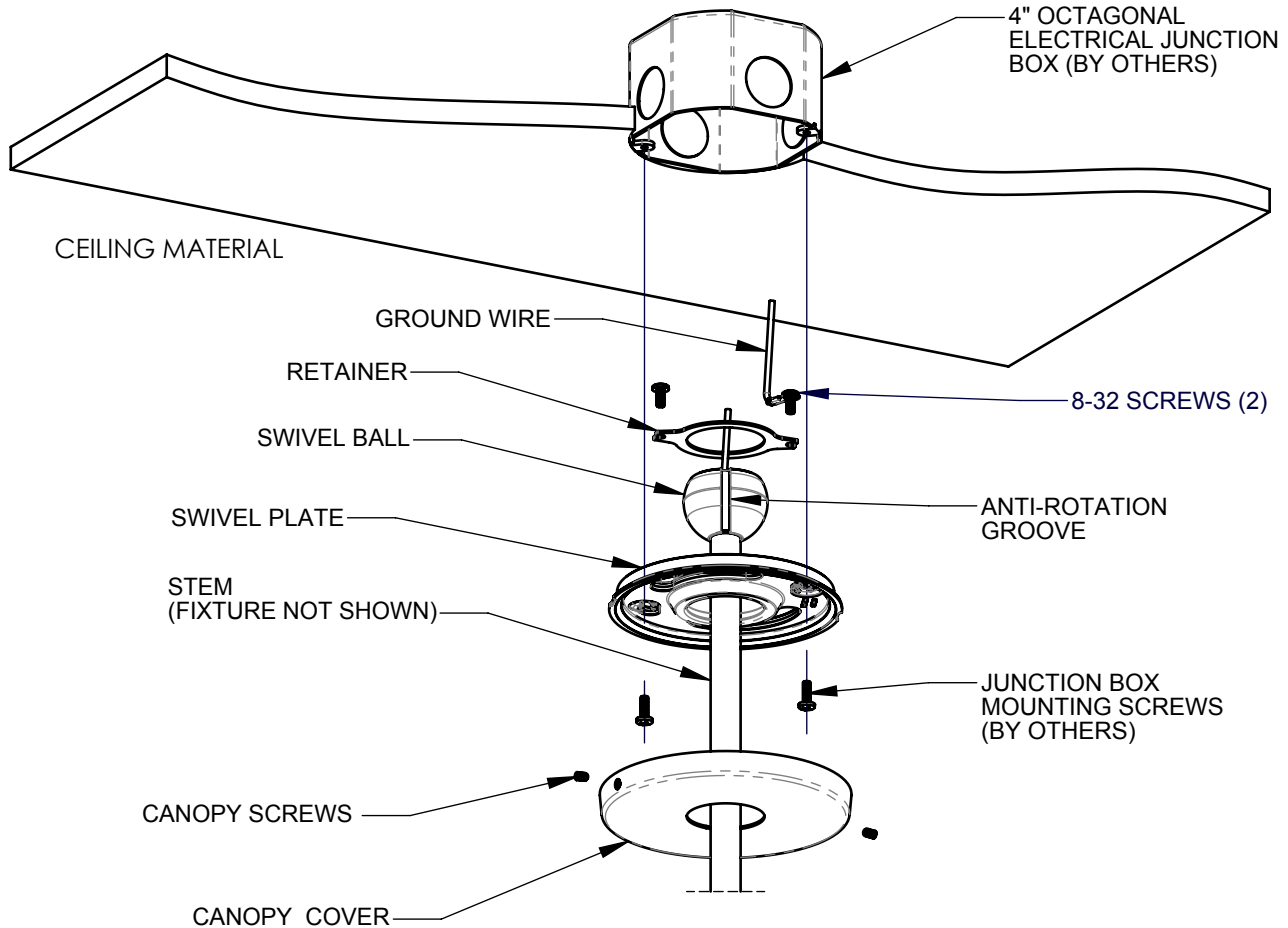


INSTALLATION INSTRUCTIONS

Model: **OP2124, 34, 44 // OP2242, 43, 44 // OP2272, 73, 74 // OP3634**
Fixture Family: **OP SEQUENCE, ZUME, & LATERNA**
Document Description: Installation Instructions for
LED Series Luminaires

VISA LIGHTING
AN OLDENBURG GROUP COMPANY
1717 West Civic Drive Milwaukee, WI 53209
414-354-6600
Design Modification Rights Reserved
© Visa Lighting

OUTDOOR PENDANT - STEM MOUNT



Instructions

Note: Depending on the length of screws supplied with the junction box (by others) you may need to use the longer screws provided.

1. Fasten swivel plate to junction box with 8-32 screws.
2. Make all wire connections per local and national codes.
3. Lift canopy cover into place and secure with canopy screws.

See fixture specification sheets for dimensions, weight, and effective projected areas

When using electrical equipment, basic safety precautions should always be followed, including the following:

- Read all instructions carefully before installing and save for future use.
- Make sure all connections are in accordance with the National Electrical Code and local regulations.
- To avoid possible electric shock, be sure the power supply is turned off before servicing or installing the fixture.
- Service should be performed by qualified personnel.
- These instructions may not cover all details or variations. If additional information is needed, please contact Visa Lighting.

Drawing: 762341XX

Rev: B

Sheet: 1 of 3

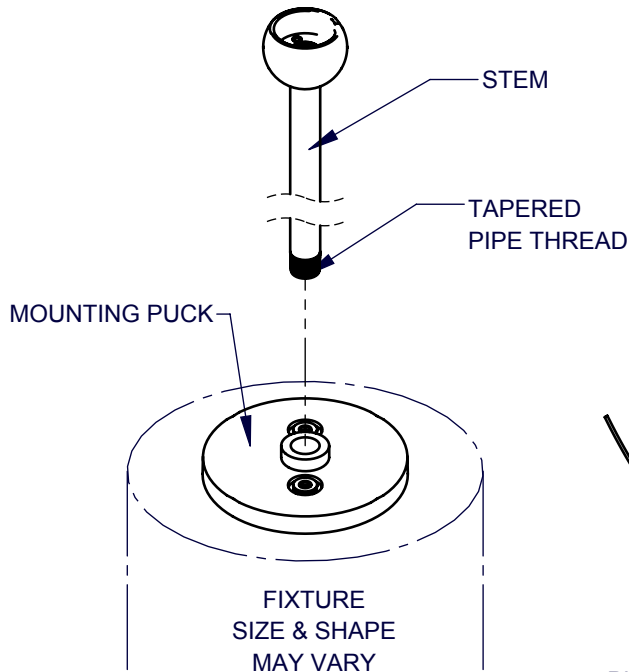
Eng: ZOP

Date Drawn: 2/4/2020

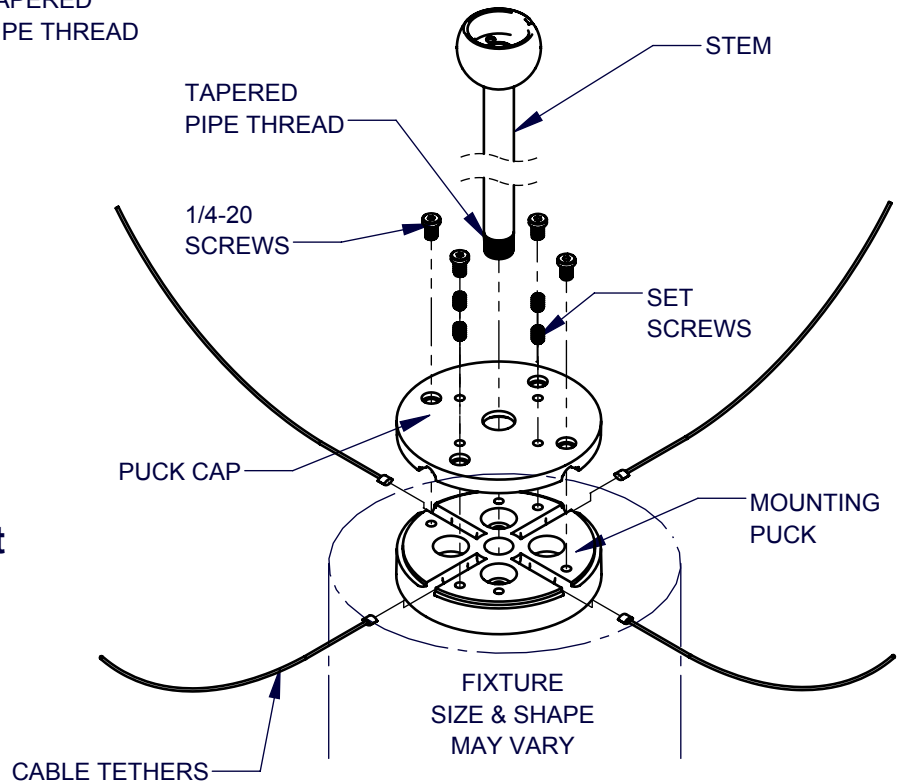
INSTALLATION INSTRUCTIONS

Model: **OP2124, 34, 44 // OP2242, 43, 44 // OP2272, 73, 74 // OP3634**
Fixture Family: **OP SEQUENCE, ZUME, & LATERNA**
Document Description: Installation Instructions for
LED Series Luminaires

OUTDOOR PENDANT - STEM MOUNT



Standard Stem Mount



Tether Stem Mount

Instructions

Note: Consult structural engineer for when and how to use cable tethers

- 1. Make sure PTFE thread sealing tape is used on tapered pipe thread side of stem.**
2. Screw stem into fixture mounting puck, connection must be tight for water tight seal.
3. For tether option, attach puck cap with 1/4-20 screws, & use set screws to secure cable tethers.
4. Up to 4 cable tethers can be attached. Depending on the situation, not all may be used.

See fixture specification sheets for dimensions, weight, and effective projected areas

When using electrical equipment, basic safety precautions should always be followed, including the following:

- Read all instructions carefully before installing and save for future use.
- Make sure all connections are in accordance with the National Electrical Code and local regulations.
- To avoid possible electric shock, be sure the power supply is turned off before servicing or installing the fixture.
- Service should be performed by qualified personnel.
- These instructions may not cover all details or variations. If additional information is needed, please contact Visa Lighting.

INSTALLATION INSTRUCTIONS

Model: **OP2124, 34, 44 // OP2242, 43, 44 // OP2272, 73, 74 // OP3634**
Fixture Family: **OP SEQUENCE, ZUME, & LATERNA**
Document Description: Installation Instructions for
LED Series Luminaires

 **VISA LIGHTING**
AN OLDENBURG GROUP COMPANY
1717 West Civic Drive Milwaukee, WI 53209
414-354-6600
Design Modification Rights Reserved
© Visa Lighting

DMX-CONTROL INSTRUCTIONS (RGB LEDS ONLY)

1. See VisaLighting.com/DMXguide for further details on installing a DMX system.
2. To RDM address turn switch 11 ON and switch 10 OFF (Default).
3. To manually address with the DIP switches turn switch 10 and 11 OFF and use 'Chart B-Euro DMX 512' to address. Available at VisaLighting.com/DMXchartB. Example: (Ch# =Dip Switch ON) (1= 0) (4= 1, 2) (7= 2, 3) (512= 1, 2, 3, 4, 5, 6, 7, 8, 9).
4. While this controller will take a set of 4 DMX addresses – only 3 DMX addresses are being used so the fixtures can be addressed in groups of 3.

Drawing: 762341XX

Rev: B

Sheet: 3 of 3

Eng: ZOP

Date Drawn: 2/4/2020

 When using electrical equipment, basic safety precautions should always be followed, including the following:

- Read all instructions carefully before installing and save for future use.
- Make sure all connections are in accordance with the National Electrical Code and local regulations.
- To avoid possible electric shock, be sure the power supply is turned off before servicing or installing the fixture.
- Service should be performed by qualified personnel.
- These instructions may not cover all details or variations. If additional information is needed, please contact Visa Lighting.